

# Jøtul F 500 ECO IT

Jøtul F 500 ECO IT  
Manual Version P08

UK - Installation and operating instructions	3
IT - Manuale di installazione ed uso	18



*The manuals which are enclosed with the product must be kept throughout the product's entire service life.  
Les manuels fournis avec le produit doivent être conservés pendant toute la durée de vie du produit.  
Los manuales suministrados con este producto deben guardarse durante todo el ciclo de vida del producto.  
I manuali inclusi con il prodotto vanno conservati per l'intera durata di vita del prodotto.*




Requirements / Exigences / Requisitos / Requisiti / Vereisten / Forderungen / Wymagania	
Supplier / Fabricante / Fornitore / Vereisten / Lieferant/ Producent:	Jøtul AS
Product models Produits concernés Modelos Modelli Product modellen Varianten der Feuerstelle Modele produktu	<b>Jøtul F 500 ECO IT</b>
Energy efficiency class / Classe énergétique / Clase de eficiencia energética / Classe energetica / Energie efficiëncy klasse / Energieeffizienz-Klasse / Klasa efektywności energetycznej	A+
Direct heat output / Puissance réelle de sortie / Potencia calorífica emitida / Emissione di calore diretta / Directe warmte afgifte / Nennwärmeleistung / Bezpośrednia moc grzewcza	10,5 kW
Energy efficiency index / Index de rendement énergétique/ Índice de eficiencia energetica / Indice di efficienza energetica / Energie efficiëncy index / Energieeffizienz-Index / Indeks efektywności energetycznej	115,7
Efficiency at nominal heat output / Rendement à puissance nominale / Eficiencia al rendimiento nominal / Efficienza alla potenza nominale / Efficiëncy bij nominale warmte afgifte / Wirkungsgrad bei Nennheizleistung / Sprawność dla mocy znamionowej	86 %
<ul style="list-style-type: none"> <li>Any specific precautions that shall be taken when the local space heater is assembled installed or maintained.</li> <li>Toutes les précautions spécifiques doivent être prises lors de l'assemblage, l'installation ou l'entretien de l'appareil.</li> <li>Cualquier precaución específica que deba tenerse en cuenta durante el montaje, instalación o mantenimiento del equipo de calefacción</li> <li>Precauzioni specifiche da prendere quando il riscaldatore viene assemblato, installato o mantenuto in uno spazio.</li> <li>Eventuele specifieke voorzorgsmaatregelen die worden genomen wanneer de plaatselijke ruimteverwarming wordt gemonteerd, geïnstalleerd of onderhouden.</li> <li>Besondere Maßnahmen bei Montierung, Installation und Wartung.</li> <li>Wszelkie szczególne środki ostrożności, które należy podjąć, gdy lokalny ogrzewacz pomieszczeń jest zamontowany lub konserwowany.</li> </ul>	<ul style="list-style-type: none"> <li>Fire safety precautions such as safety distances when installing, national standards, local codes and regulations. See the Instructions manual.</li> <li>Les précautions d'incendie telles que les distances de sécurité lors de l'installation, le suivi des normes, les codes locaux et les réglementations nationales. Veuillez lire le manuel d'installation.</li> <li>Precauciones frente a incendios como distancia de seguridad en la instalación, estándares nacionales, códigos locales y reglamentos. Lea el manual de instalación.</li> <li>Precauzioni per la sicurezza antincendio come le distanze di sicurezza durante l'installazione, le normative nazionali e locali. Leggere il manual.</li> <li>Brandveiligheidsmaatregelen, zoals veiligheidsafstanden bij installatie, nationale normen, lokale codes en voorschriften. Lees de installatiehandleiding.</li> <li>Für brenntechnische Verhältnisse, wie z.B. Aufstellbedingungen und nationale Forderungen. Siehe die Montage- und Bedienungsanleitung.</li> </ul> <p>Środki bezpieczeństwa przeciwpożarowego, takie jak odległości od materiałów palnych jakie należy zachować podczas instalacji, normy krajowe, lokalne przepisy i regulacje. Patrz instrukcja obsługi..</p>

# UK - Installation and operating instructions

## Table of contents

1.0 Relationship to the authorities.....	3
2.0 Technical data.....	3
3.0 Safety .....	4
4.0 Installation.....	6
5.0 Daily use.....	9
6.0 Maintenance.....	12
7.0 Service.....	13
8.0 Operational problems - troubleshooting.....	16
9.0 Optional equipment.....	16
10.0 Recycling.....	16
11.0 Guarantee terms.....	16

Register your fireplace at [jotul.com](http://jotul.com) for a 25-year warranty.

Product: Jøtul Room heater fired by solid fuel			
			
Standard	:		
Minimum distance to adjacent combustible materials:	:		
Minimum distance to adjacent non-combustible materials:	:		
Emission of CO in combustion products:	:		
Flue gas temperature:	:		
Nominal heat output:	:		
Efficiency:	:		
Operation range:	:		
Fuel type:	:		
Operational type:	:		
The appliance can be used in a shared flue.			
Country	Classification	Certification standard	Approved by
Norway	Klasse II		
Sweden	Int.	SP Sveriges Provnings- och Forskningsinstitut AS	
EUR	Intermittent	EN	SP Swedish National Testing and Research Institute
Follow user's instructions. Use only recommended fuels. Montage- und Bedienungsanleitung beachten. Verwenden Sie nur empfohlenen Brennstoffen. Respectez les consignes d'utilisation. Utilisez uniquement les combustibles recommandés.			
Lot no: Y-xxxx, Year: 200x			
Manufacturer:	221546		
Jøtul AS			
POB 1 641			
N-1652 Fredrikstad			
Norway			

On all our products there is a label indicating the serial number and year. Write this number in the place indicated in the installation instructions.

Always quote this serial number when contacting your retailer or Jøtul.

Lot no.	Pin.
<input type="text"/>	<input type="text"/>

## 1.0 Relationship to the authorities

Installation of a fireplace must be in accordance with local codes and regulations in each country.

All local regulations, including those which refer to national and European standards, must be observed when installing the product.

The installation can only be put into use after it has been checked by a qualified inspector. Contact your local building authorities before installing a new fireplace.

A product approval plate of heat-resistant material is to be found in the ash pan. This contains information about identification and documentation for the product.

## 2.0 Technical data

Materiale	Cast iron
Finish	Black paint
Fuel	Wood
Max. Log length	55 cm
Recommended log length	30-55 cm
Flue outlet	Top, rear
Flue pipe dimension	Ø 150 mm
Outside air connection	Alu. flex - Ø 100 mm
Approx. weight for Jøtul F 500 ECO IT	ca 200 kg
Optional extras	Heat shield rear, External air kit, Soapstone top cover.
Dimensions, distances	See fig. 1

Technical data in acc. with EN 13240	
Nominal heat output	10,5 kW
Flue gas volume	7,4 g/s
Chimney draught, EN 13240	12 Pa
Recommended negative pressure in smoke outlet	12-15 Pa
Efficiency	86%@10,5 kW
CO emissions (13% O <sub>2</sub> )	0,08 %
CO emissions (13% O <sub>2</sub> )	990 mg / Nm <sup>3</sup>
NOx (13% O <sub>2</sub> )	99 mg / Nm <sup>3</sup>
OGC (13 % O <sub>2</sub> )	67 mg C /Nm <sup>3</sup>
Air consumption	6,2 liter/sec.
Chimney temperature, EN 13240	211 °C
Dust (13% O <sub>2</sub> )	6 mg/Nm <sup>3</sup> @13%O <sub>2</sub>
Fuel consumption	2,83 kg/h
Max. kindling amount	5,21 kg
Nominal kindling amount	2,08 kg
Operation	Intermittent*

\*Intermittent combustion in this context means normal use of the fireplace, i.e. fuel is added as soon as the fuel has burnt down to a suitable amount of embers.

# ENGLISH

## 3.0 Safety

**NB! To guarantee optimal performance and safety, Jøtul recommends that its stoves are fitted by a qualified installer (see [www.jotul.com](http://www.jotul.com) for a complete list of dealers).**

Any modifications to the product may result in the product and safety features not functioning as intended. The same applies to the installation of accessories or optional extras not supplied by Jøtul. This may also be the case if parts that are essential to the functioning and safety of the fireplace have been disassembled or removed.

In all these cases, the manufacturer is not responsible or liable for the product and the right to make a complaint becomes null and void.

### 3.1 Fire Prevention Measures

There is a certain element of danger every time you use your fireplace. The following instructions must therefore be followed:

- The minimum safety distances when installing and using the fireplace are given in **fig. 1**. The specified distance to flammable materials, applies to this stove. The stove must be installed with a CE approved flue. The distance of the flue pipe to combustible materials must also be observed.
- Ensure that furniture and other flammable materials are not too close to the fireplace. Flammable materials should not be placed within **1000 mm** of the fireplace.
- Allow the fire to burn out. Never extinguish the flames with water.
- The fireplace becomes hot when lit and may cause burns if touched.
- Only remove ash when the fireplace is cold. Ash can contain hot embers and should therefore be placed in a non-flammable container.
- Ash should be placed outdoors or be emptied in a place where it will not present a potential fire hazard.

#### In case of chimney fire:

- Close all hatches and vents.
- Keep the firebox door closed.
- Call the fire service.
- Before use after a fire an expert must check the fireplace and the chimney in order to ensure that it is fully functional.

### 3.2 Floor

#### Foundation

You need to make sure the foundation is suitable for a fireplace. See “**2.0 Technical Data**” for specified weight.

We recommend the removal of any flooring that is not attached to the foundation (“floating floors”) beneath the installation.

#### Requirements for protection of wooden flooring beneath the fireplace

The product can be placed directly on a wooden floor, protected by a floor plate made from non combustible material (recommended thickness - minimum 0,9 mm)

Jøtul recommends that any flooring made of combustible material, such as linoleum, carpets, etc. should be removed from under the floor plate.

#### Requirements for protection of inflammable floors in front of the fireplace

The front plate must comply with national laws and regulations. Please note that there is a side door on the product. Contact your local building authorities regarding restrictions and installation requirements.

### 3.3 Walls

- The product should be placed so that it is possible to clean the stove, flue pipe and chimney outlet.
- Make sure furniture and other combustible materials do not get too close to the stove.
- Make sure furniture and other items are not placed too close to the stove, to prevent them from drying out.

Distance to walls made of combustible material - see **fig. 1**

The stove must be installed with a CE approved flue pipe.

The distance from flue pipes to combustible materials must also be taken into account.

#### Combustible wall protected by firewall

Distance to combustible wall protected by firewall: See **fig. 1**.

Distances with insulated chimney/shielded flue pipe are shown in **fig. 1**.

#### Firewall requirement

The firewall must be at least **100 mm** thick and be made of brick, concrete-stone or light concrete. Other materials and structures with satisfactory documentation may also be used.

#### Non-combustible wall (all the way through)

The fireplace can be installed with a minimum of **200 mm** to non-combustible wall if the distance from the fireplace to all combustible materials are a minimum of **500 mm**.

Non-combustible materials mean materials like brick, clinker, concrete, mineral wool, silicate plates etc (materials that do not burn). **Note!** A short distance to non-combustible wall may lead to desiccation and discoloration of paint and cause cracking.

### 3.4 Ceiling

There must be a minimum distance of **750 mm** to a combustible ceiling above the fireplace.



JØTUL F 500 ECO IT

900350-P04

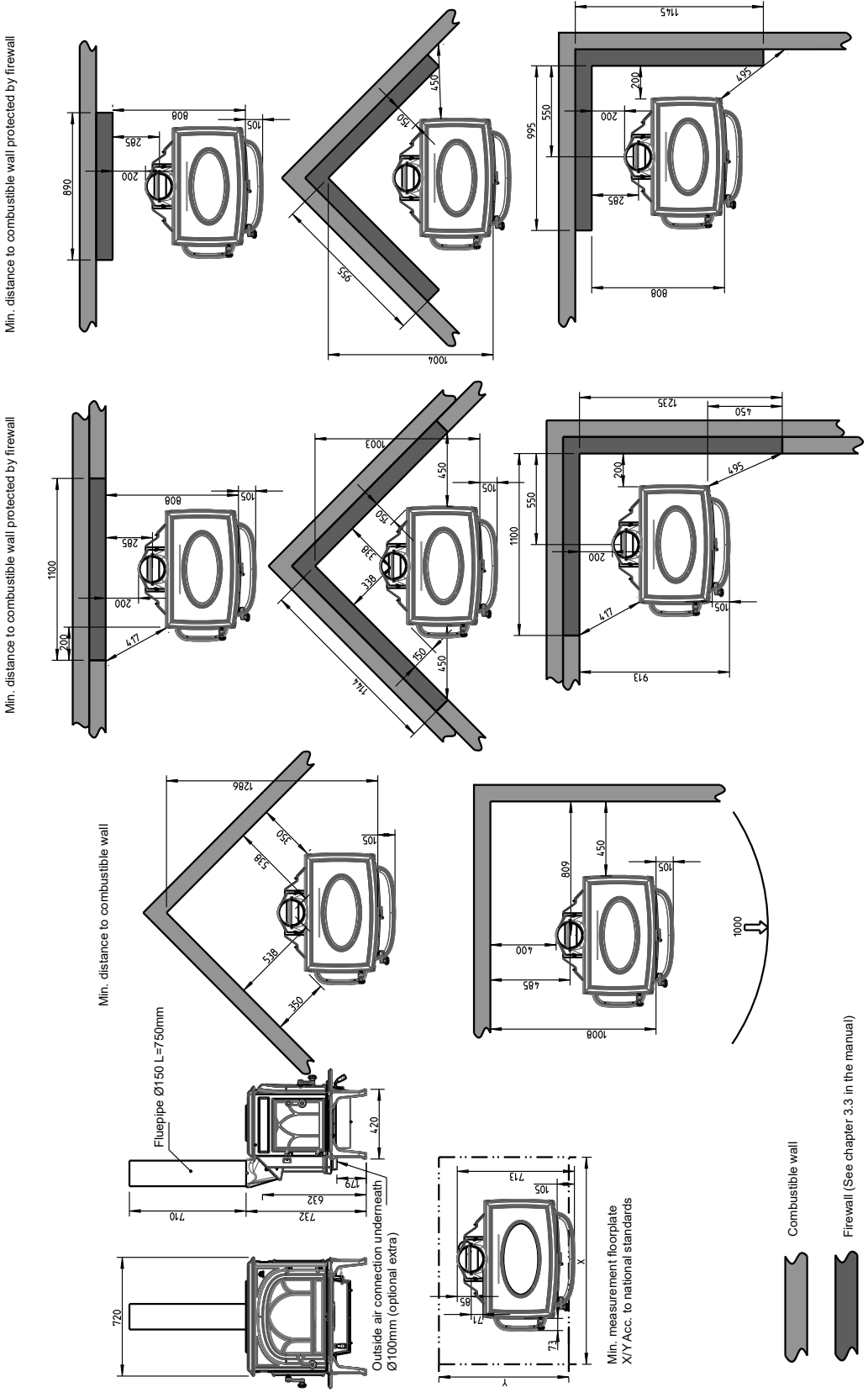


Fig. 1

# ENGLISH

## 4.0 Installation

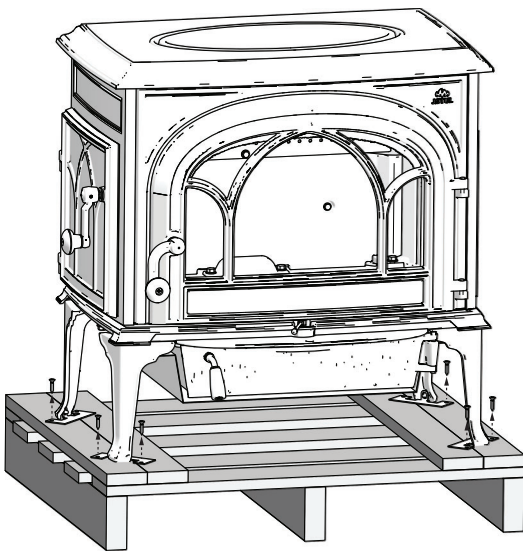
- Before installing the fireplace, check it carefully for any signs of damage.
- The product is heavy! Ask someone to help you when positioning and installing it.
- **Make sure that furniture and other household items are at a safe distance from the fireplace to protect them from drying out.**

### 4.1 Prior to installation

1. The standard product comes in one package.
2. Remove the bag of screws and ash lip from the stove.
3. When the product is unpacked, release it from the pallet.

Make sure everything is in order.

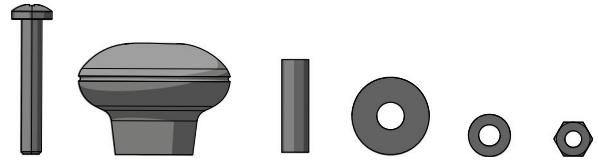
**Fig. 2 Release from pallet**



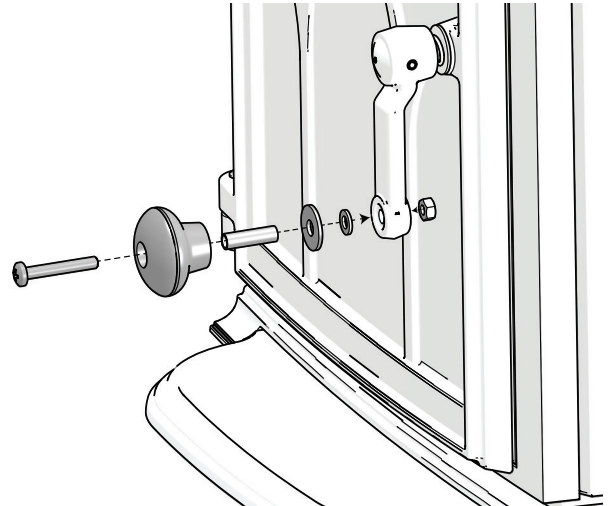
1. Remove the 8 transport screws

## 4.2 Installation

**Fig. 3a Assemble the side door handle - parts**

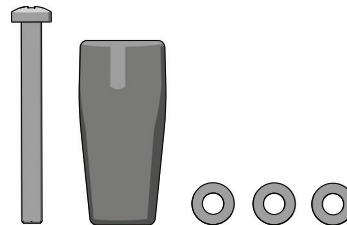


**Fig. 3b Assemble the side door handle**

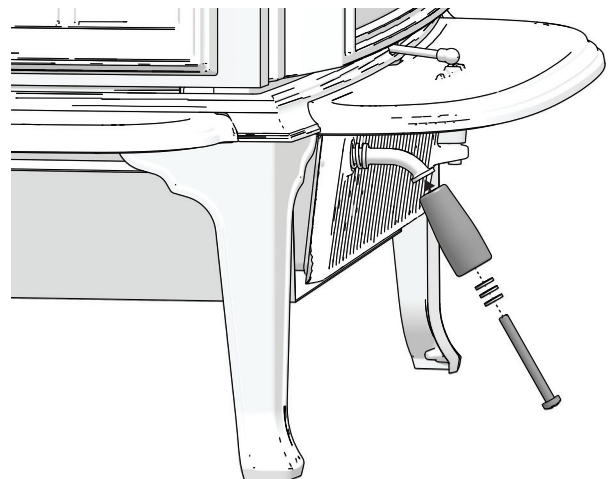


1. Mount the wooden knob on the side door handle. The parts are in the bag of screws.

**Fig. 4a Assemble the ashdoor handle - parts**

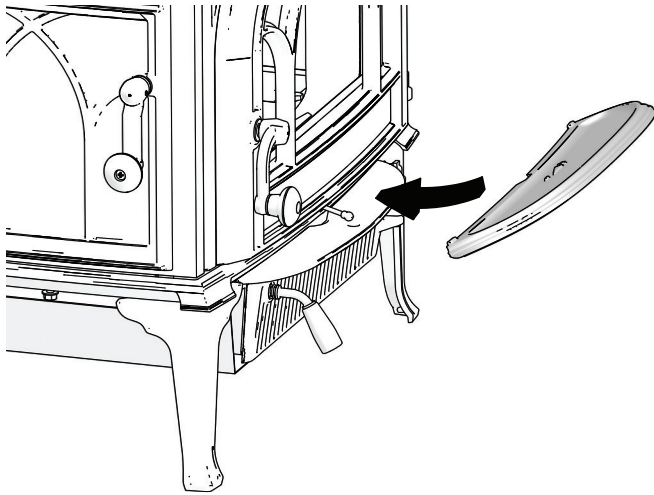


**Fig. 4b Assemble the ashdoor handle**



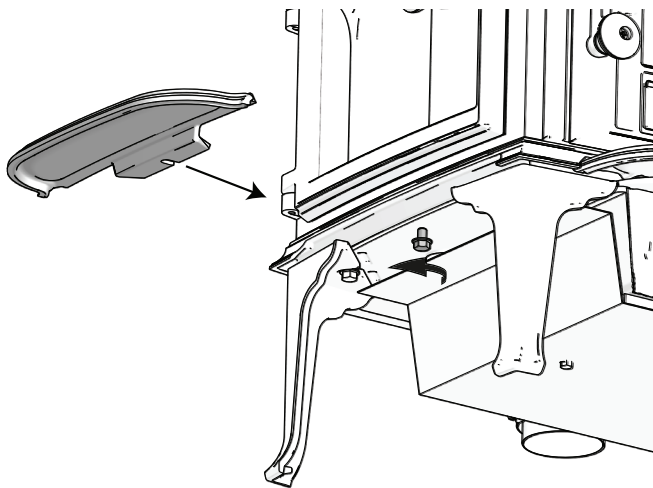
1. Mount the wooden knob on the ashdoor handle. The parts are in the bag of screws.

**Fig. 5 Mount the ash lip front**



1. The ash lip is mounted on the front of the stove.

**Fig. 6 Mount ash lip side**

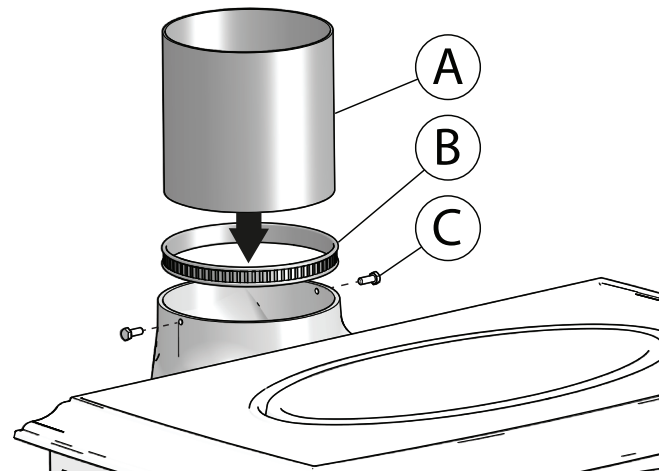


1. The ash lip side is mounted under the side door. Tighten the screw on the bottom to secure the ash lip.

## Assembly of the flue pipe

The product is assembled for a top outlet as standard.

**Fig. 7 Assembling the flue pipe**



1. Mark on the flue pipe (A) where the screws hit when the flue pipe is completely at the bottom of the smoke outlet and drill a 7 mm hole in the flue pipe for the screws (C).
2. Pull the protective paper off the supplied gasket (B) and attach it to the outer end of the flue pipe.
3. Insert the flue pipe into the smoke outlet and secure with the 2 screws (C) from the bag of screws.

Flue pipe is installed in the same way for top and rear outlet.

## 4.3 Assembly with an external air supply (optional extra)

### Fresh air supply

The air used for combustion in any well-insulated house needs to be replaced. This is particularly important in houses with mechanical ventilation. Such replacement air can be procured in several ways. The most important thing is to supply the air to the room where the stove is placed. Place the outside wall valve as close to the stove as possible and make sure that it can be closed when the stove is not in use.

For the fresh air supply connection, follow the national and local building regulations.

**Important!** Ensure that air vents in the room where the fireplace is located are not blocked.

### Closed combustion system

Use the stove's closed combustion system if you live in recently built, airtight dwellings. Connect the external combustion air through a ventilation pipe through the wall or the floor.

# ENGLISH

## Air supply

The amount of combustion air for Jøtul's products is approximately 20-40 m<sup>3</sup>/h. The outside air connection may be fitted directly to the Jøtul F 500 ECO IT through:

- the bottom
- through a flexible supply hose from the outside/chimney (only if the chimney has its own duct for external air) and to the product's outside air connector.

Fig. 8a Through an outside wall

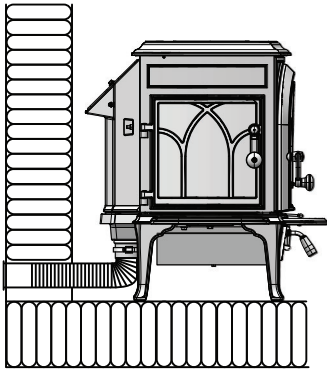


Fig. 8b Through the floor and ground plate

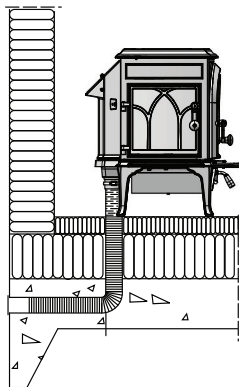


Fig. 8c Through the floor and basement

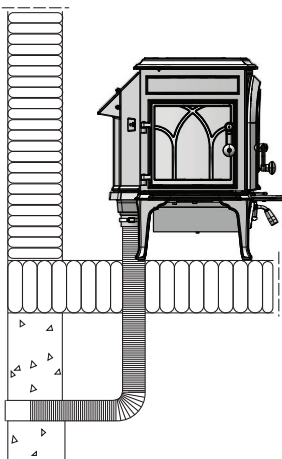


Fig. 8d indirectly through an outside wall

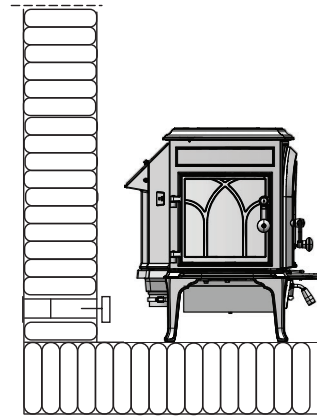
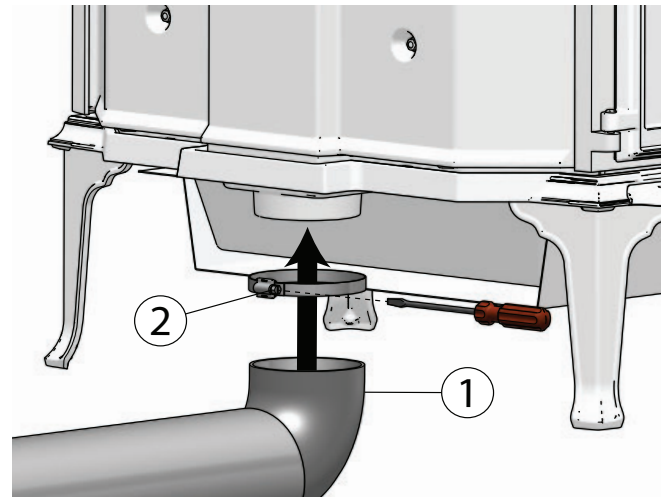


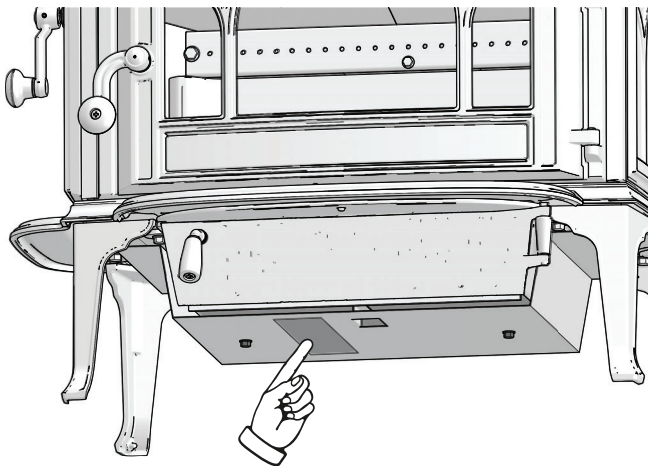
Fig. 9 Mounting of external air supply connection



1. Place the external air supply connection with the hose clamp on the outside air hole.
2. Tighten with screwdriver.

## 4.4 Location of approval label

Fig. 10 Approval label



1. The approval label is located at the bottom of the stove.

## 4.5 Chimney and flue pipe

- The fireplace must only be connected to a chimney and flue pipe approved for solid fuel fireplaces with flue gas temperatures as specified in «**2.0 Technical Data**».
- For flue pipe dimension see «**2.0 Technical Data**». NB: The chimney's diameter must be at least as big as the flue pipe: Ø150 mm flue pipe - 177 cm<sup>2</sup>.
- Connection to the chimney must be carried out in accordance with the chimney supplier's installation instructions.
- Before a hole is made in the chimney, the product should be test-mounted in order to correctly mark the position of the fireplace and the hole in the chimney. See fig. 1 for minimum dimensions.
- Use a flue pipe bend with a sweep hatch to allow sweeping.
- Flue pipe bends with any change in direction influence/reduce the chimney draught. This effect also applies when horizontal flue pipes are used. Please note that it is extremely important for connections to have a degree of flexibility. This is to prevent any movement in the installation leading to the formation of cracks.
- For recommended chimney draught, see «**2.0 Technical Data**».

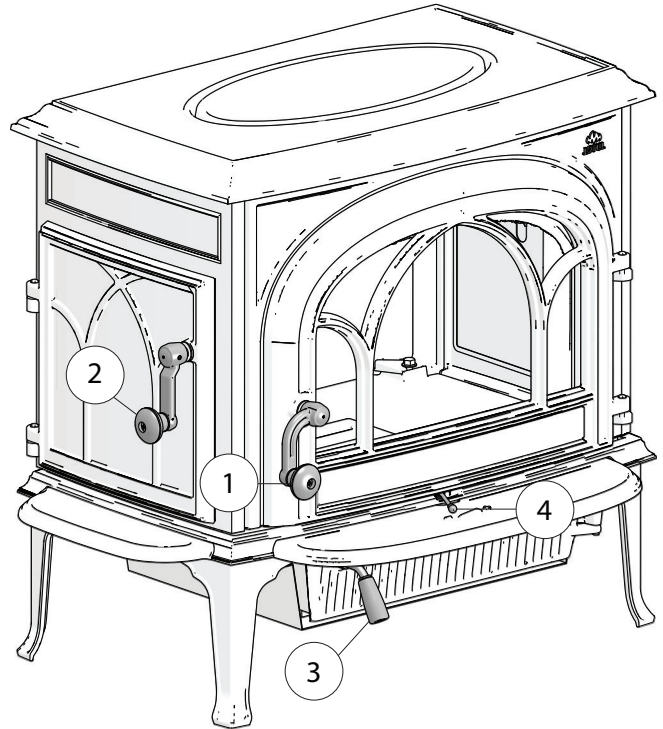
**NB!** The minimum recommended chimney length is 4 m from the flue pipe insert. If the draught is too strong, a flue pipe damper can be installed and used to reduce the draught. If a flue damper is fitted it must be of a type, which does not block the flue totally. The damper should be easy to operate and incorporate an aperture within the blade, which in a continuous area occupies at least 20 cm<sup>2</sup> or 3 % of the cross-sectional area of the blade if this is greater. The position of the damper should be recognizable from the setting of the device.

If a draught regulator is fitted the minimum cross sectional area requirement shall not be applicable but the device should be easily accessible for cleaning.

## 4.6 Performance check

Once the product has been assembled, always check the control handles. These should move easily and work in a satisfactory manner.

Fig. 11 The Jøtul F 500 ECO IT is equipped with the following operating options:



1. Handle front door. To open, lift the handle up (clockwise) and pull out.
2. Handle side door. To open, lift the handle up (clockwise) and pull out.
3. Handle ash door. To open, lift the handle up (counterclockwise) and pull out.
4. Air- and ignition valve. Adjust in the horizontal direction (see fig. 12)

## 5.0 Daily use

### 5.1 Odours when using the fireplace for the first time

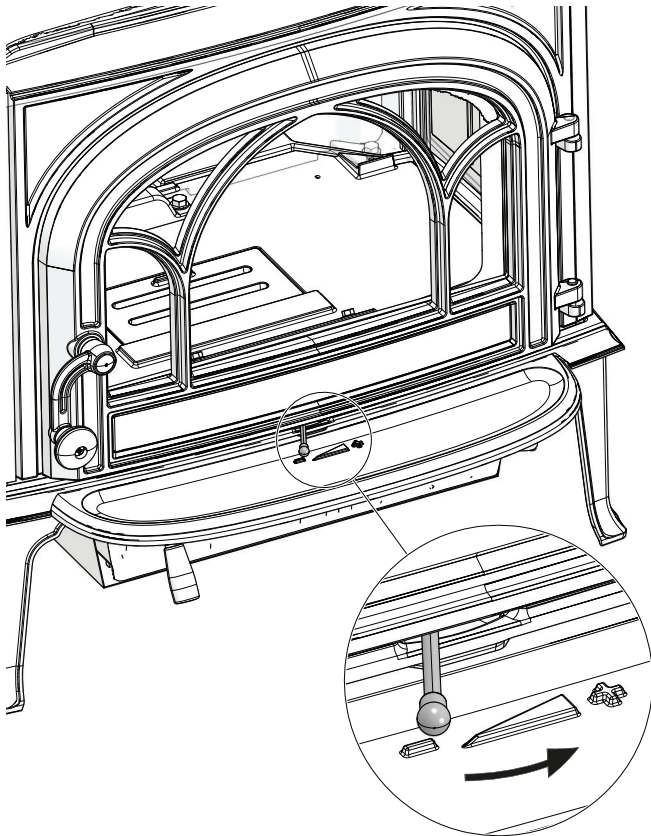
When the fireplace is used for the first time, it may emit an irritating gas which may smell slightly. This happens because the paint dries. The gas is not toxic but the room should be thoroughly ventilated. Let the fire burn with a high draught until all traces of the gas have disappeared and no smoke or odours can be detected.



# ENGLISH

## 5.2 Valve adjustment

Fig. 12



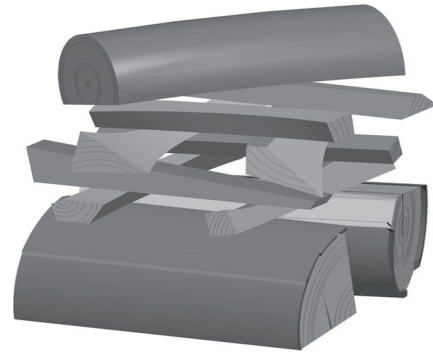
Pulled to the right : **Open** (used during ignition).

Shifted to the left: Closed.

## 5.3 Use

- Open the air vent and the ignition vent by pulling it to the right. If necessary, keep the door slightly open. (Use a glove, for example, as the handle can become hot.)
- Place two medium sized logs in/out on each side of the base. N.B. In order to avoid sooting on the glass, it is important that the log is not placed adjacent to the glass on the product.
- Put 2-3 briquettes (or birch bark) between these and add some kindling wood in a criss-cross pattern on top and light the newspaper.
- Gradually increase the size of the woodlogs.
- Finally, place a medium-sized log on the top of the pile.
- Then regulate the rate of combustion to the desired level of heating by adjusting the air vent.
- Close the stove door. It must always be closed when the fire is lit.
- Operation with the air controls or appliance dampers open can cause excess smoke. The appliance must not be operated with air controls, appliance dampers or door left open except as directed in the instructions.
- Operation with the door open can cause excess smoke. The appliance must not be operated with the appliance door left open except as directed in the instructions.

Fig. 13



## 5.4 Adding firewood

Stoke the stove frequently but only add small amounts of fuel at a time. If the stove is filled too full, the heat created may cause extreme stress in the chimney. Add fuel to the fire in moderation. Avoid smouldering fires as this produces the most pollution. The fire is best when it is burning well and the smoke from the chimney is almost invisible.

If there is insufficient burning material in the firebed to light a new fuel charge, excessive smoke emission can occur. Refuelling must be carried out onto a sufficient quantity of glowing embers and ash that the new fuel charge will ignite in a reasonable period. If there are too few embers in the fire bed, add suitable kindling to prevent excessive smoke.

## 5.5 Heating advice

**NB:** Logs that have been stored outdoors or in a cold room should be brought indoors 24 hours before use to bring them up to room temperature.

There are various ways of heating the stove but it is always important to be careful about what you put in the stove. See the section on “**Wood quality**”.

**NB!** Combustion with too low air supply can lead to poor combustion, poorer efficiency, high particulate emissions, black carbon and other health and climate hazardous compounds.

### Wood quality

**By quality wood we mean most well-known types of wood such as birch, spruce and pine.**

The logs should be dried so that the moisture content is no more than 20%.

To achieve this, the logs should be cut during the late winter. They should be split and stacked in a way that ensures good ventilation. The wood stacks should be covered to protect the logs from rain. The logs should be brought indoors during early autumn and stacked/stored for use in the coming winter.

**Be especially careful never to use the following materials as fuel in your fireplace:**

- Household rubbish, plastic bags, etc.
- Painted or impregnated timber (which is extremely toxic).
- Laminated wooden planks.
- Driftwood

*These may harm the product and are also pollutants.*



**NB: Never use petrol, paraffin, methylated spirit or similar liquids to light the fire. You may cause serious injury to yourself and damage to the product.**

## 5.6 Wood consumption

Jøtul F 500 ECO IT has a nominal heat output of **ca. 10,5 kW**. Use of wood, with nominal heat emission: **Approx. 2,08 kg/h**. The size of the logs should be:

### Kindling:

*Length: 30-55 cm*

*Diameter: 5 cm*

*Amount per fire: 5-8 pieces*

### Firewood (split logs):

*Length: Ca 35 cm*

*Diameter: Approx. 8-13 cm*

*Intervals for adding wood: Approximately every 45 minutes*

*Size of the fire: 2,08 kg (nominal efficiency)*

*Amount per load: 3 pieces*

The given testresults have been obtained by loading 3 logs á 35 cm, total weight of 2,08 kg. The logs are laid across. Valve set for about 40 % air.

**The maximum amount of fuel specified in this manual should not be exceeded, overloading can cause excess smoke.**

## 5.7 Danger of overheating

The fireplace must never be used in a manner that causes overheating.

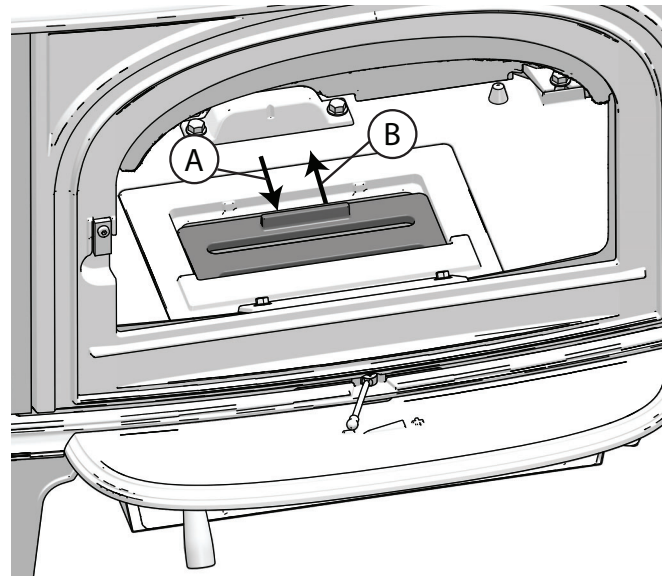
Overheating occurs when there is too much fuel and/or too much air so that too much heat develops. A sure sign of overheating is when parts of the fireplace glow red. If this happens, reduce the air vent opening immediately.

Seek professional advice if you suspect that the chimney is not drawing properly (too much/too little draught). For further information, see «4.0 Installation» (Chimney and flue pipe).

## 5.8 Removing the ashes

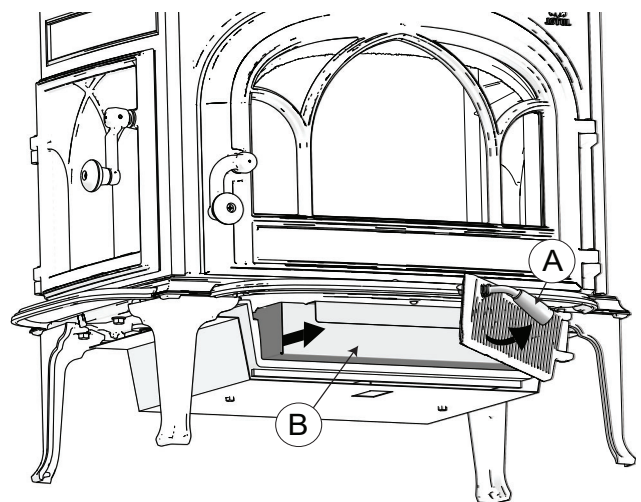
- Only remove ashes when the fireplace is cold.
- Use a shovel to scrape the ashes out.
- Ashes should be placed outside in a metal container.

**Fig. 14 Ash grate**



1. The ash grate is opened (A) by pulling towards the door, using a suitable fireplace tool.
2. The ashes are swept down through the ash grate.
3. Close the ash grate (B) afterwards. This must be closed during firing to obtain optimum combustion.

**Fig. 15 Ash pan**



4. Open the ash door with the handle (A). Remove the ash pan (B) and empty the ash into a suitable container, then replace the ash pan.

# ENGLISH

## 5.9 How wind and weather affect the stove

The performance of the stove can be affected considerably by the wind acting on the chimney at different strengths. It may therefore be necessary to adjust the air supply to ensure good combustion performance. It might also be a good idea to install a damper in the flue pipe so that the chimney draught can be regulated according to the strength of the wind.

Fog and mist can have a significant impact on the chimney draught and it might be necessary to use other combustion air settings to ensure good performance.

## 5.10 Condensation

Condensation in a fireplace / flue pipe / chimney may occur. This may be caused by moist firewood or differences in temperature in the fireplace and environment.

Condensed water coming from the fireplace appears as a black, tar-like liquid. This should be wiped off immediately to avoid discoloration of the fireplace, floor or surrounding building components.

It is important to get the wood burning quickly to avoid condensation

If the condensation continues, mineral sand can be placed on the bottom plate.

## 5.11 The importance of the chimney

**The chimney is the engine that drives the fireplace and it's essential to have a good chimney in order for the fireplace to function properly.**

The draught in the chimney creates a vacuum in the stove. The combustion air is also used for the airwash system that keeps the window clear of soot.

The draught in the chimney is caused by the difference in temperatures inside and outside the chimney. The greater the temperature difference, the better the draught in the chimney. It is therefore important to allow the chimney to reach operating temperature before adjusting the air vents to restrict combustion in the stove (a brickwork chimney takes longer to reach operating temperature than a steel chimney).

It is particularly important to reach operating temperature as quickly as possible on days on which the draught in the chimney is poor due to unfavourable wind and weather conditions. Make sure the fuel ignites as quickly as possible. Practical tip: Chop the wood into much smaller pieces and use an extra firelighter.

**NB:** If the stove has not been used for some considerable time, it is important to check the chimney pipe for blockage.

## 6.0 Maintenance

### 6.1 Cleaning the glass

The product is equipped with an air wash for the glass. Air is sucked in through the air vent on the top of the product and down along the inside of the glass.

However, some soot will always stick to the glass, but the quantity will depend on the local draught conditions and adjustment of the air vent. Most of the soot layer will normally be burned off when the air vent is opened all the way and a fire is burning briskly in the fireplace.

**Good advice!** For normal cleaning, moisten a paper towel with warm water and add some ash from the burn chamber. Rub it over the glass and then clean the glass with clean water. Dry well. If it is necessary to clean the glass more thoroughly we recommend using a glass cleaner (*follow the instructions on the bottle*).

### 6.2 Cleaning and soot removal

Soot deposits may build up on the internal surfaces of the fireplace during use. Soot is a good insulator and will therefore reduce the fireplace's heat output. If soot deposits accumulate when using the product, they can be easily removed by using a soot remover.

In order to prevent a water and tar layer from forming in the fireplace you should regularly allow the fire to burn hot in order to remove the layer. An annual internal cleaning is necessary to get the best heating effect from the product. It is a good idea to do this in connection with the sweeping of the chimney and flue pipes.

### 6.3 Sweeping of flue pipes to the chimney

On certain free-standing fireplaces the top plate can be lifted off and the pipe swept through the top. Otherwise, flue pipes must be swept through the flue pipe sweeping hatch or through the product's door opening. Then, the baffle must be removed.

### 6.4 Inspection of the fireplace

Jøtul recommends that you personally inspect your fireplace carefully after sweeping/cleaning. Check all visible surfaces for cracks. Also check that all joints are sealed and that the gaskets are in the correct position. Any gaskets showing signs of wear or deformation must be replaced.

Thoroughly clean the gasket grooves, apply ceramic glue (available from your local Jøtul dealer), and press the gasket well into place. The joint will dry quickly.

### 6.5 Exterior maintenance

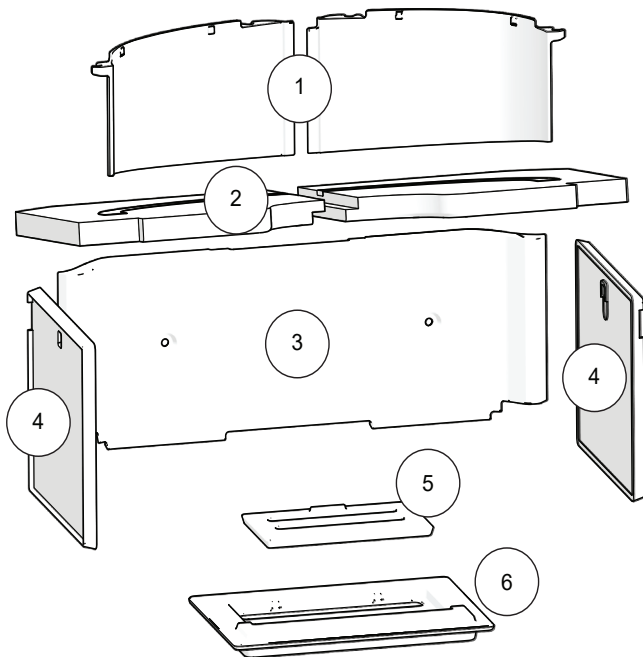
**Painted products** may change colour after several years usage. The surface should be cleaned and brushed free of any loose particles before new paint is applied.

**Important! Never place anything on the top plate of the stove. This could cause permanent damage to the paint or enamel.**

## 7.0 Service

Any unauthorised modifications to the product are prohibited!  
Only original spare parts may be used!

Fig. 16

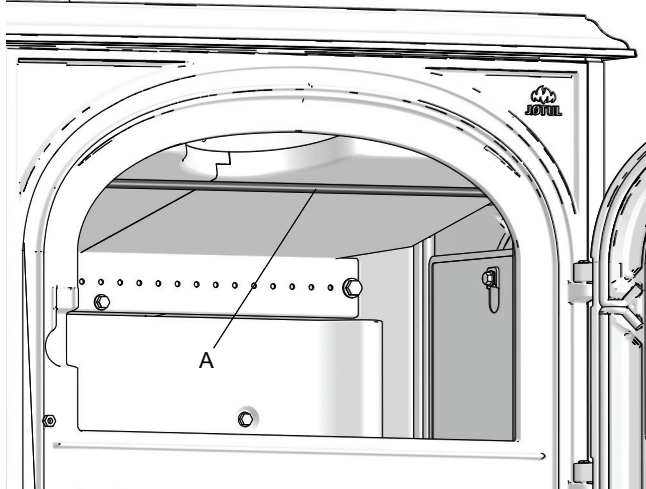


1. Exhaust deflector (2 pieces)
2. Baffle plate (2 pieces)
3. Rear burn plates
4. Side burn plates(2 pieces)
5. Ash grate
6. Ash grate holder

### 7.1 Replacing the baffle plate

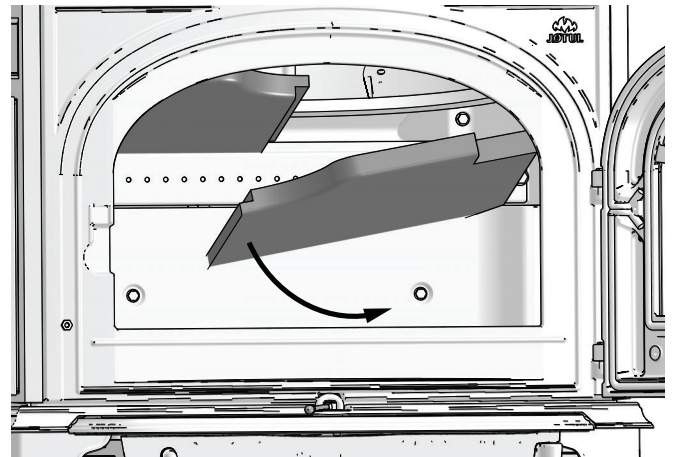
Use tools with great care.

Fig. 17a Loosen the baffle plates



1. The support bar (A) that holds the baffles plate up is lifted up and towards you before it is edged out of the stove. **NB:** The two baffle plates are now loose and must be supported so that they do not fall.

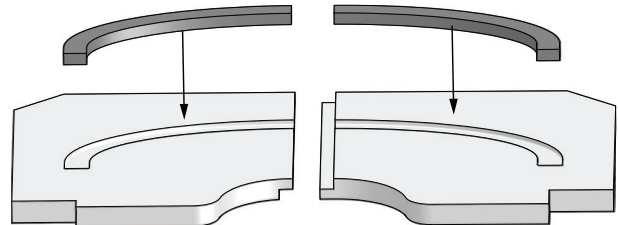
Fig. 17b Removing of baffle plates



2. The baffle plates are now loose and can be edged out of the stove. **NB:** Right plate first, then left.

When refitting, follow the same procedure in reverse order (first see fig. 17c).

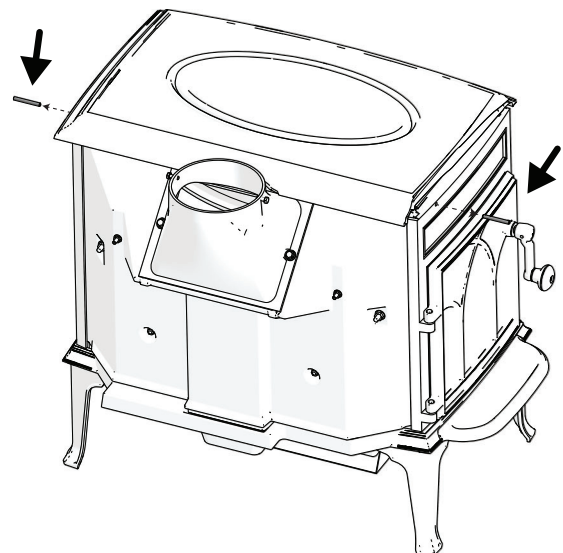
Fig. 17c Replace gasket on baffle plate



3. When replacing the baffle plate, the gasket against the exhaust deflector must also be replaced. This is done by putting the included gaskets in grooves on the top of the baffle plate.

### 7.2 Replacing the exhaust deflector

Fig. 18a Replacing the exhaust deflector

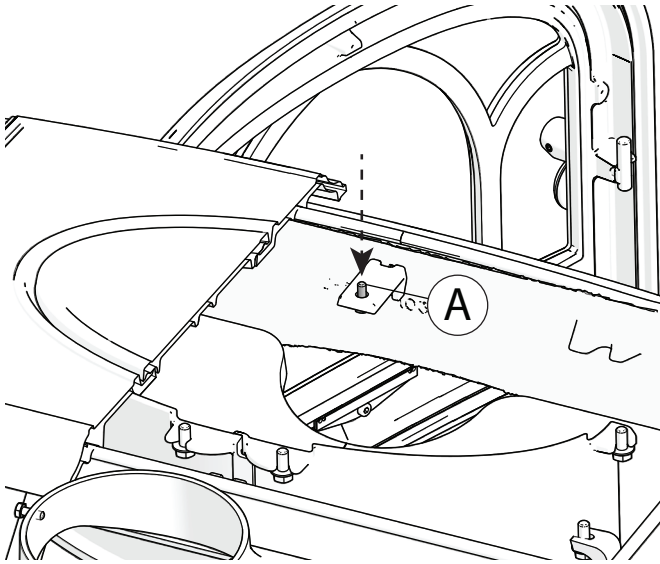


1. Loosen the 2 screws on each side of the stove.



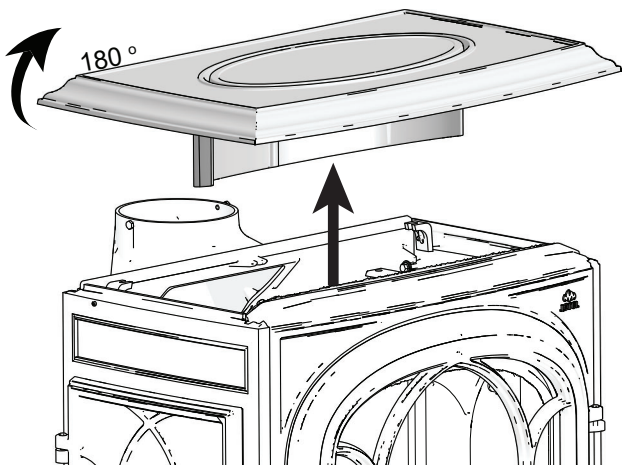
# ENGLISH

Fig. 18b Replacing the exhaust deflector



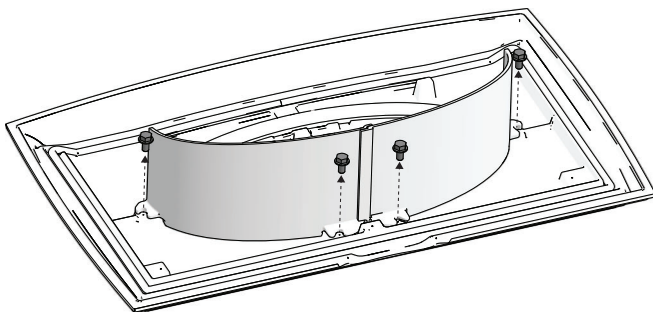
2. Loosen the screw (A) that holds the topplate in place. This must be done from the inside of the burnchamber.

Fig. 18c Replacing the exhaust deflector



3. Lift the top, turn it 180 degrees and place it on a flat underlay. **NB:** It is important that the underlay is soft, so that the surface is not damaged.

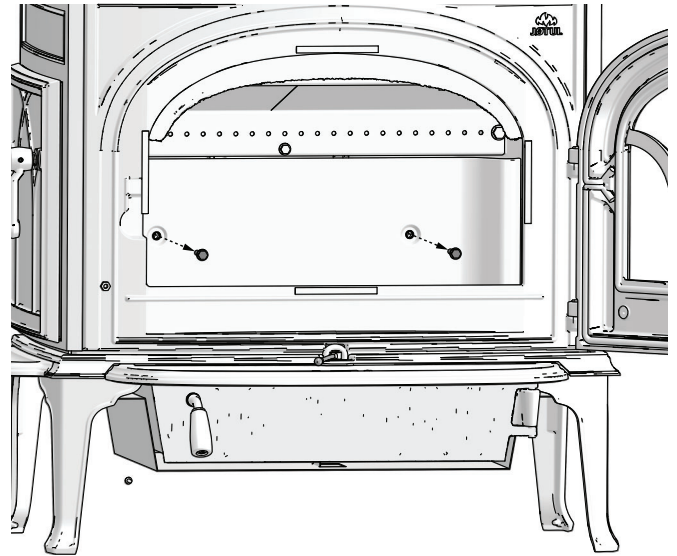
Fig. 18d Replacing the exhaust deflector



4. Loosen the 4 screws that secures the exhaust deflector to the top.
5. When refitting, follow the same procedure in reverse order.

## 7.3 Replacing the burn plates

Fig. 19a Replacing the rear burn plate



1. Loosen the rear burn plate by unscrewing the screws as shown in the figure. The screws are continuous and have nuts on the back of the stove. (see fig.19b)

Fig. 19b

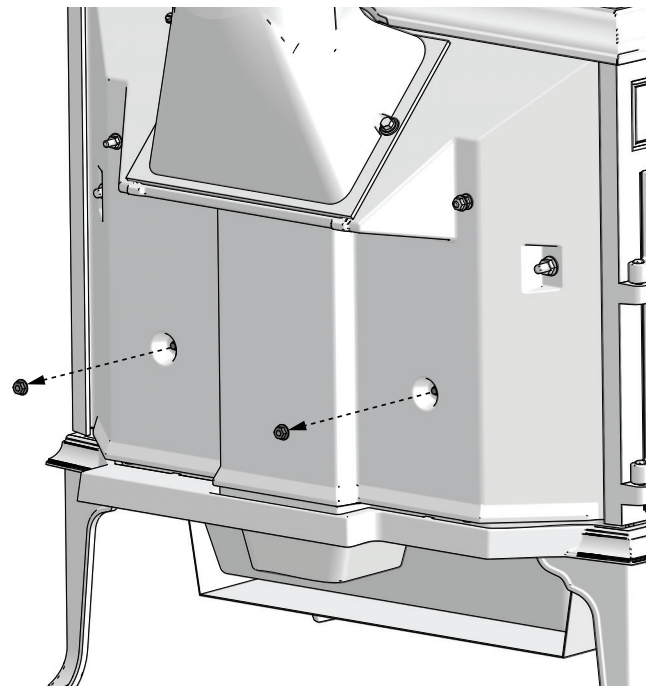
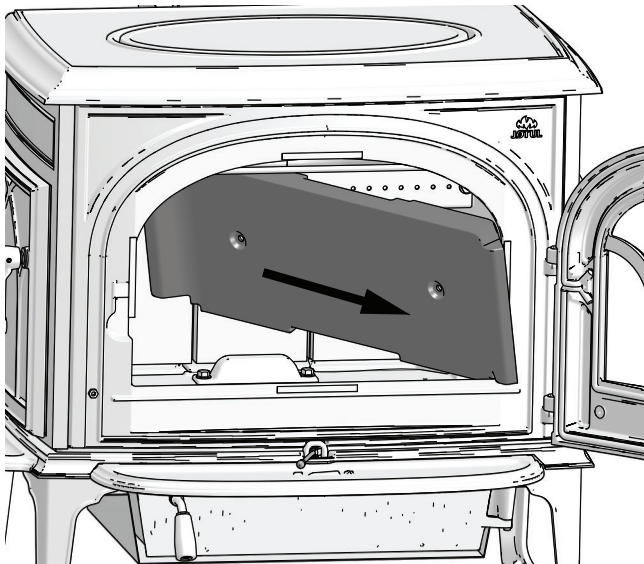
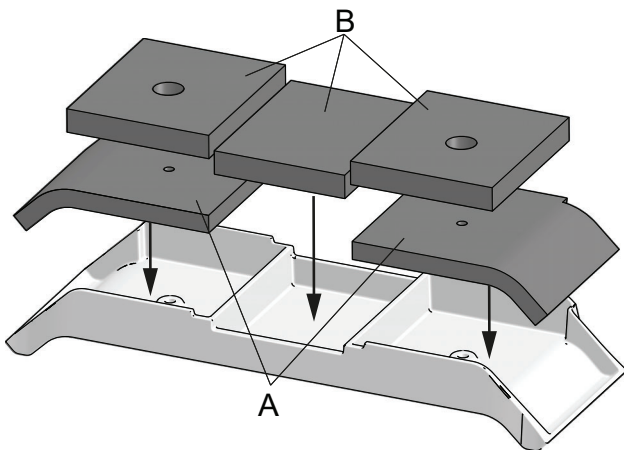


Fig. 19c



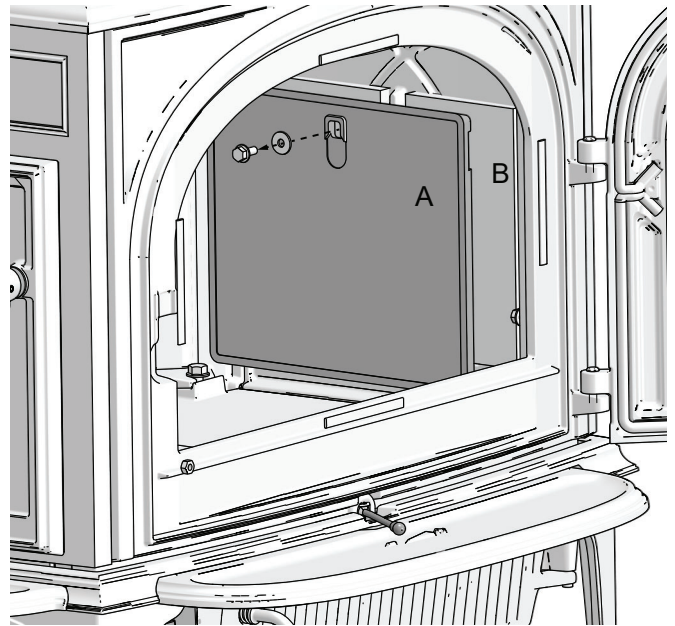
2. Edge the rear burn plate out of the stove.
3. When refitting, follow the same procedure in reverse order. (first see fig. 21 (insulation mats))

Fig. 20 Replacing the insulation mats



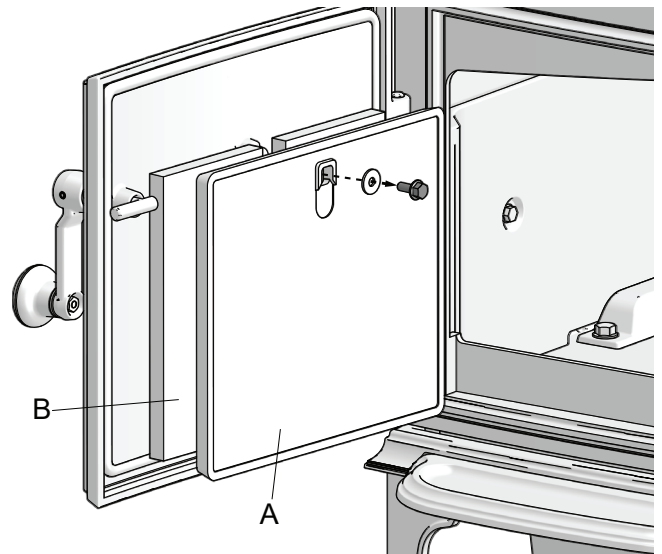
4. Behind the rear burn plate there are 5 insulation mats. They must be replaced when replacing the rear burn plate. Lay the new rear burn plate on a suitable surface and place the insulation mats as shown in the figure. **NB:** It is important that the insulation mats are placed according to the figure, as there are different thickness of the mats. Insulation mat A = 19mm thick (2 pieces), B = 25mm thick (3 pieces).

Fig. 21 Replacing the side burn plate (Right)



1. Loosen the screw and the washer that holds the side burn plate (A) and the insulation mat (B) in place.
2. Edge the side burn plate and the insulation mat out of the stove.
3. When refitting, follow the same procedure in reverse order.

Fig. 22 Replacing the side burn plate on the side door

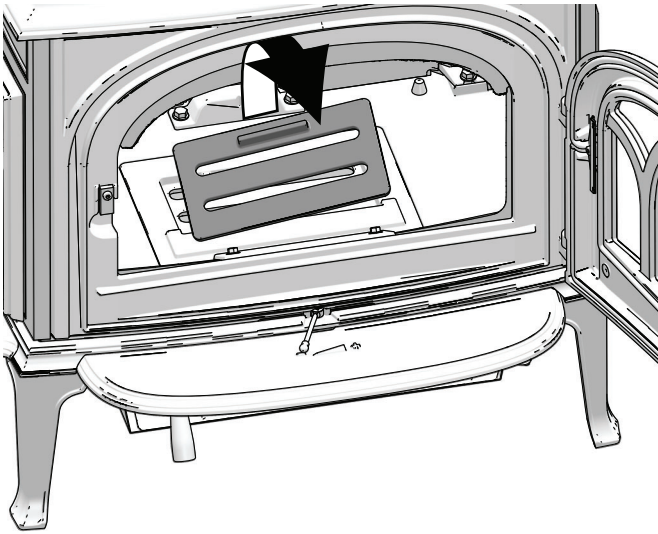


1. Open the side door.
2. Loosen the screw and the washer that holds the burn plate (A) and the insulation mat (B) on place.
3. Remove the burn plate and the insulation mat from the side door.
4. When refitting, follow the same procedure in reverse order.

# ENGLISH

## 7.4 Replacing the ash grate

Fig. 23 replacing the ash grate



1. Tilt up the ash grate that loosely sits in the bottom plate of the stove.

## 8.0 Operational problems - troubleshooting

### Poor draught

Check the length of the chimney and that it complies with national laws and regulations. (See also «**2.0 Technical data**» and «**4.0 Installation**» (**Chimney and flue pipe**) in the installation manual for information.)

Make sure that the minimum cross section on the chimney is according to «**2.0 Technical data**» in the installation manual. Make sure that there is not anything preventing the smoke gasses from escaping: branches, trees, etc.

Upon suspicion of excessive/poor draught in the chimney, seek professional help for measurement and adjustment.

### The fire extinguishes after a while

- Make sure that the firewood is sufficiently dry.
- Find out whether there is negative pressure in the house, close mechanical fans and open a window close to the fireplace.
- Check that the air vent is open.
- Check that the flue outlet is not clogged by soot.

### Unusual amount of soot accumulates on the glass

Some soot will always stick to the glass, but the quantity depends on:

- Moisture in the fuel.
- The local draught conditions.
- Air vent opening.

Most of the soot will normally burn off when the air vent is opened all the way and a fire is burning briskly in the fireplace.

## 9.0 Optional equipment

### 9.1 Heat shield rear

Cat. no. 50012977

### 9.2 External air kit Ø 100

Cat. no. 51012164

### 9.3 Soapstone top cover

Cat. no. 50012992

## 10.0 Recycling

### 10.1 Recycling packaging

Your fireplace is delivered with the following packaging:

- A wooden pallet that can be cut up and burned in the fireplace.
- Cardboard packaging that should be taken to a local recycling facility.
- Plastic bags that should be taken to a local recycling facility.

### 10.2 Recycling the fireplace

The fireplace is made of:

- Metal that should be taken to a local recycling facility.
- Glass that should be disposed of as hazardous waste. The glass in the fireplace must not be placed in a regular source segregation container.
- Vermiculite burn plates that can be disposed of in regular waste containers.

## 11.0 Guarantee terms

### 1. Our guarantee covers:

Jøtul AS guarantees that the external cast-iron parts are free from defects in materials or manufacturing at the time of purchase. You may extend the guarantee on the external cast-iron parts to 25 years from the date of delivery by registering the product on [jotul.com](http://jotul.com), and print out the extended guarantee card within three months of purchase. We recommend that the guarantee card be kept together with the receipt. Jøtul AS also guarantees that steel plate parts are free from defects in materials or manufacturing at the time of purchase for a period of 5 years from the date of delivery.

The guarantee applies on the condition that the stove has been installed by a qualified installer in accordance with applicable laws and regulations and Jøtul's installation and operating instructions. Repaired products and replacement items are guaranteed within the original guarantee period.



**2. The guarantee does not cover:**

- 2.1. Damage to consumables such as burn plates, fire grates, flue baffles, gaskets and similar as these deteriorate over time due to normal wear and tear.
- 2.2. Damage caused as a result of improper maintenance, overheating, use of unsuitable fuel (e.g. of unsuitable fuel are, but not limited to driftwood, impregnated wood, plank offcuts, chipboard ) or too moist / wet wood.
- 2.3. Installation of optional extras for the purpose of rectifying local draught conditions, air supply or other circumstances beyond Jøtul's control.
- 2.4. Cases involving alterations / modifications to the fireplace without Jøtul's consent or the use of non-original parts.
- 2.5. Damage caused during storage at a distributor, transport from a distributor or during installation.
- 2.6. Products sold by unauthorized sellers in areas where Jøtul operates a selective distribution system.
- 2.7. Associated cost (e.g. but not limited to, transport, manpower, travel) or indirect damages.

Pellets stoves, glass, stone, concrete, enamel and paint finish (e.g. but not limited to chipping, cracking, bubbling or discolouration and crazing) are applicable to the national legislation governing the sale of consumer goods. This guarantee is valid for purchases made within the territory of the European Economic Area. All guarantee inquiries must be addressed to your local authorized Jøtul dealer within a reasonable amount of time, which shall not be later than 14 days from the date on which the fault or defect first became apparent. See list of importers and dealers on our web site [www.jotul.com](http://www.jotul.com).

If Jøtul is unable to meet the obligations outlined in the above guarantee terms, Jøtul will offer a replacement product with a similar heating capacity free of charge.


Jøtul reserve the right to decline of any replacement of parts or service in the event that the guarantee is not registered online. This guarantee does not affect any rights under applicable national legislation governing the sale of consumer goods. The national complaint right applies from the purchase date and only in exchange for a receipt / serial number.

## IT - Manuale di installazione ed uso

### Indice generale

1.0 Conformità alle leggi.....	18
2.0 Dati tecnici.....	18
3.0 Sicurezza.....	19
4.0 Installazione.....	21
5.0 Utilizzo giornaliero.....	24
6.0 Manutenzione.....	27
7.0 Assistenza.....	28
8.0 Risoluzione dei problemi.....	31
9.0 Accessori opzionali.....	31
10.0 Riciclaggio.....	31
11.0 Termini della garanzia.....	31

**Registrare il proprio caminetto sul sito [jotul.com](http://jotul.com) per una garanzia di 25 anni.**

Product: Jøtul Room heater fired by solid fuel			
			
Standard	Minimum distance to adjacent combustible materials	Minimum distance to adjacent non-combustible materials	Emission of CO in combustion products
Flue gas temperature	Nominal heat output	Efficiency	Operation range
Fuel type	Operational type	The appliance can be used in a shared flue.	
Country	Classification	Certification standard	Approved by
Norway	Klasse II		
Sweden	Int.	SP	SP Sveriges Provnings- och Forskningsinstitut AS
EUR	Intermittent	EN	SP Swedish National Testing and Research Institute
Follow user's instructions. Use only recommended fuels. Montage- und Bedienungsanleitung beachten. Verwenden Sie nur empfohlenen Brennstoffen. Respectez les consignes d'utilisation. Utilisez uniquement les combustibles recommandés.			
Lot no: Y-xxxx, Year: 200x			
Manufacturer:	221546		
Jøtul AS			
POB 1 641			
N-1652 Fredrikstad			
Norway			

Su tutti i nostri prodotti è applicata un'etichetta che indica il numero di serie e l'anno. Annotare questo numero dove indicato nelle istruzioni di installazione. Citare sempre questo numero di serie quando ci si rivolge al rivenditore o a Jøtul.

Lot no. Pin.

## 1.0 Conformità alle leggi

L'installazione di una stufa deve essere eseguita in conformità alle leggi e alle norme locali di ogni paese.

L'installazione del prodotto deve essere conforme a tutte le norme locali, incluse quelle che fanno riferimento a direttive europee o specifiche del paese.

L'installazione può essere effettuata solo dopo un'accurata ispezione da parte di personale qualificato.

Sul prodotto è applicata una targhetta, realizzata in materiale termoresistente e contenente dati e informazioni sull'identificazione del prodotto.

## 2.0 Dati tecnici

Materiale	Ghisa
Rivestimento esterno	Vernice nera
Combustibile	Legna
Lunghezza massima dei ceppi	55 cm
lunghezza raccomandata dei ceppi	30-55 cm
Scarico fumi	Superiore, posteriore
Dimensioni condotto dei fumi	Ø 150 mm
Circolazione dell'aria	Alu. flex - Ø 100 mm
Peso Jøtul F 500 ECO IT	200 kg
Accessori opzionali	Scudo termico posteriore, Kit di alimentazione dell'aria esterna, Copertura superiore in pietra ollare
Dimensioni, distanze	Vedere fig. 1

### Dati tecnici conformi alla norma EN 13240

Potenza termica nominale	10,5 kW
Volume dei fumi	7,4 g/s
Tiraggio della canna fumaria, EN 13240	12 Pa
Pressione negativa raccomandata nello scarico fumi	12-15 Pa
Efficienza	86%@10,5 kW
Emissioni di CO (13% O <sub>2</sub> )	0,08 %
Emissioni di CO (13% O <sub>2</sub> )	990 mg / Nm <sup>3</sup>
NOx a (13% O <sub>2</sub> )	99 mg / Nm <sup>3</sup>
Idrocarburi a (13 % O <sub>2</sub> )	67 mg C /Nm <sup>3</sup>
Consumo dell'aria	6,2 liter/sek.
Temperatura della canna fumaria, EN 13240	211 °C
Polvere (13% O <sub>2</sub> )	6 mg/Nm <sup>3</sup> @13%O <sub>2</sub>
Consumo di combustibile	2,83 kg/h
Quantità max di fascine	5,21 kg
Quantità nominale di fascine	2,08 kg
Funzionamento	Intermittente*

\*Per combustione intermittente, in questo contesto, si intende il normale utilizzo del camino, ossia con aggiunta di combustibile non appena da quello precedente si è formata una quantità adeguata di braci.

## 3.0 Sicurezza

**Nota: per garantire prestazioni e sicurezza ottimali, le stufe Jøtul devono essere montate da un installatore qualificato.**

Qualunque modifica al prodotto da parte del distributore, installatore o consumatore può comportare un funzionamento imprevisto del prodotto e delle funzionalità di sicurezza. Lo stesso si applica all'installazione di accessori o di extra opzionali non forniti da Jøtul. Ciò può riguardare anche componenti essenziali per il funzionamento e la sicurezza del caminetto eventualmente smontati o rimossi.

In tutti i casi citati, il produttore non potrà essere ritenuto responsabile o punibile per il prodotto, rendendo nullo e non valido ogni reclamo.

### 3.1 Misure di prevenzione antincendio

Ogni utilizzo del caminetto ha in sé un certo elemento di pericolo. Pertanto, è necessario seguire attentamente le seguenti istruzioni:

- Le distanze minime di sicurezza in caso di utilizzo del caminetto sono fornite nella **fig. 1**.
- Assicurarsi che gli arredi e altri materiali infiammabili non siano troppo vicini al caminetto. I materiali infiammabili non devono mai essere posizionati entro **1000 mm** dal caminetto.
- Attendere l'estinzione del fuoco. Non spegnere mai le fiamme con acqua.
- Il caminetto acceso diventa caldo e può causare bruciature se toccato.
- Rimuovere la cenere solo con il caminetto freddo. La cenere può contenere braci calde, pertanto deve essere collocata in un contenitore ignifugo.
- La cenere deve essere collocata all'esterno o svuotata in un luogo in cui non rappresenterà un pericolo potenziale di incendio.

### In caso di incendio della canna fumaria

- Chiudere tutte le aperture e le prese d'aria.
- Tenere chiusa la porta del camino.
- Chiamare i vigili del fuoco.
- Prima di utilizzare di nuovo il camino e la canna fumaria dopo un incendio, è necessario che vengano controllati da un tecnico specializzato che ne assicuri l'integrità e il corretto funzionamento.

## 3.2 Pavimento

### Basamento

È importante accertarsi che le dimensioni dei basamenti siano adatte al camino. Cf. «**2.0 Dati tecnici**» per le specifiche sul peso.

Durante l'installazione, si consiglia di rimuovere la pavimentazione non fissata al sottofondo (pavimento antivibrante).

### Requisiti per la protezione del pavimento di legno

Il prodotto può essere posizionato direttamente su un pavimento in legno, protetto da una piastra a pavimento realizzata in materiale non combustibile (spessore raccomandato: minimo 0,9 mm)

Jøtul raccomanda di rimuovere eventuali materiali infiammabili come: linoleum, moquette, ecc. da sotto la pedana di protezione del pavimento.

### Requisiti per la protezione dei pavimenti infiammabili davanti al camino

**La piastra anteriore deve essere conforme alle leggi e alle norme nazionali.**

*Si noti che sul prodotto è presente uno sportello laterale. Contattare le autorità edili locali in relazione alle disposizioni e ai requisiti di installazione.*

## 3.3 Pareti

- Posizionare il prodotto in modo tale che sia possibile pulire la stufa, il condotto di scarico fumi e il passaggio della canna fumaria.
- Assicurarsi che i mobili e gli altri elementi di arredo non sono così vicino alla stufa
- Assicurarsi che mobili e altri articoli di arredamento non siano tanto vicini da essere seccati dalla stufa.

### Distanza da pareti di materiale infiammabile

- nella **fig. 1**

La stufa deve essere installata con un condotto di scarico fumi approvato CE.

È inoltre necessario tenere in considerazione la distanza dei condotti di scarico fumi dai materiali combustibili.

### Parete combustibile protetto da muro tagliafuoco

Distanza minima dalla parete combustibile protetto da muro tagliafuoco. Vedere **fig. 1**.

È consentito l'utilizzo con condotti del fumo non isolanti con la distanza dalla parete di materiale infiammabile descritta nella **fig. 1**. Distanza da una parete in materiale infiammabile con condotto scarico fumi parzialmente isolato/rivestito, vedi **fig. 1**.

### Requisiti del muro tagliafuoco

Il muro tagliafuoco deve avere uno spessore di almeno **100 mm** ed essere realizzato in blocchi di calcestruzzo a mattone o calcestruzzo leggero. È possibile utilizzare anche altri materiali e strutture provviste della necessaria documentazione.

### Parete ignifuga (in forma integrale)

Il caminetto può essere installato con una distanza minima di **200 mm** dalla parete non combustibile ed una distanza da tutti i materiali combustibili è di almeno **500 mm**.

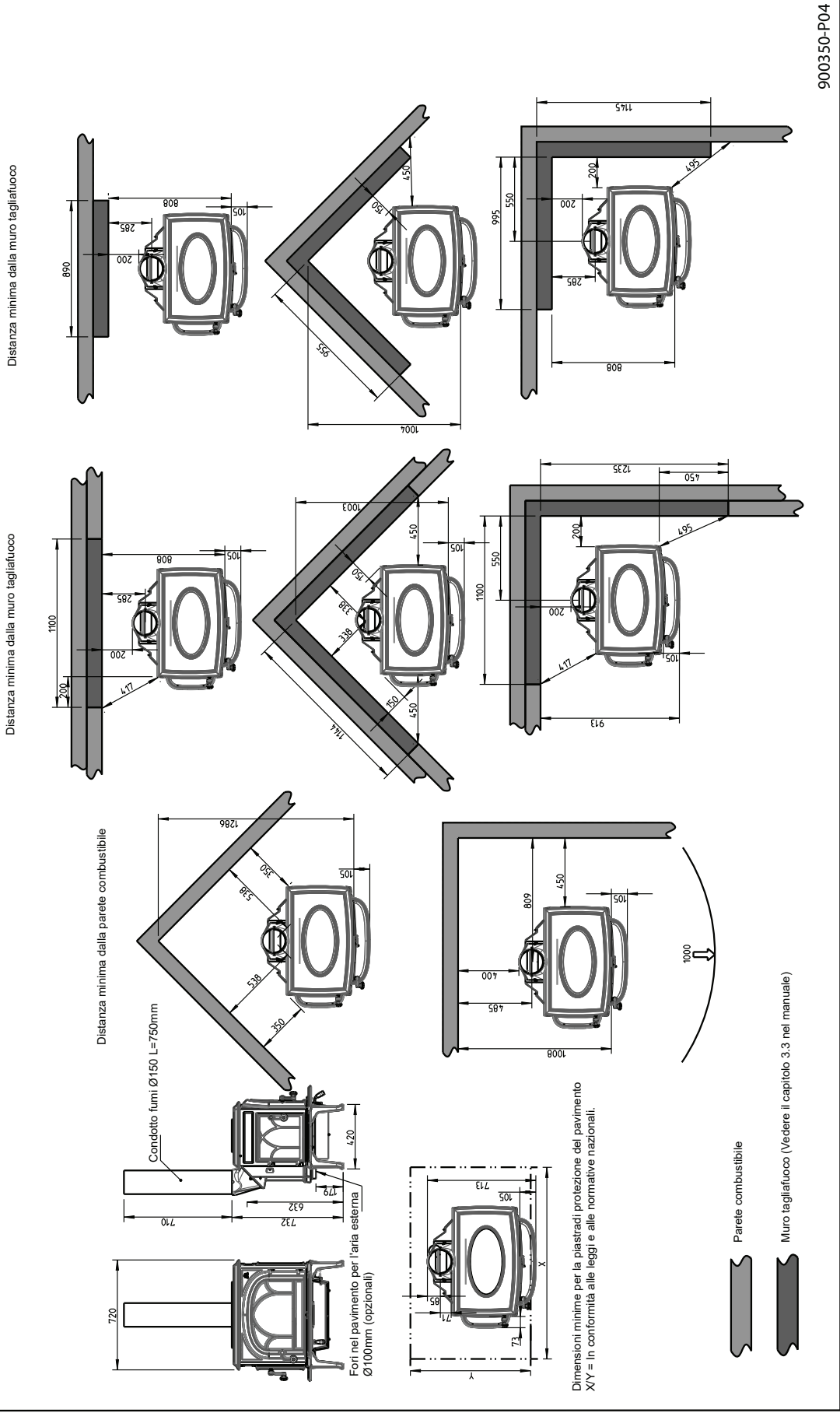
I materiali non combustibili sono materiali come mattoni, clinker, cemento, lana minerale, lastre di silicato ecc. (Materiali che non bruciano). Nota! Una breve distanza dalla parete non combustibile può portare all'essiccazione e allo scolorimento della vernice e causare crepe.

## 3.4 Soffitto

La distanza minima tra la stufa e il soffitto in materiale infiammabile deve essere almeno di **750 mm**.

Fig. 1

JØTUL F 500 ECO IT



## 4.0 Installazione

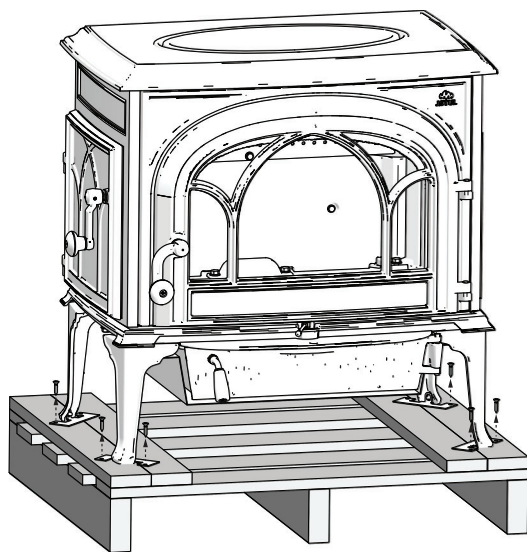
- Prima dell'installazione del camino, verificare attentamente l'assenza di eventuali segni di danneggiamento.
- Il prodotto è pesante! Chiedere aiuto a qualcuno in fase di posizionamento e installazione.
- **Assicurarsi che mobili e altri articoli domestici si trovino a distanza di sicurezza dal caminetto, per proteggerli dall'essiccazione.**

### 4.1 Prima dell'installazione

1. Il prodotto standard è contenuto in un'unica confezione.
2. Estrarre dalla stufa il sacchetto con le viti e il ceneraio.
3. Una volta disimballato il prodotto, liberarlo dal pallet.

Assicurarsi che sia tutto conforme.

Fig. 2 Liberare dal pallet



1. Rimuovere le 8 viti di trasporto.

## 4.2 Installazione

Fig. 3a Assemblare la maniglia del portello laterale - parti

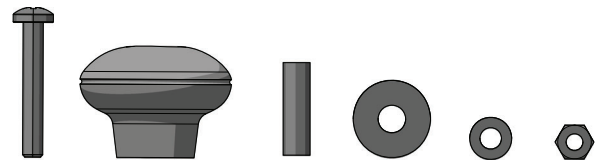
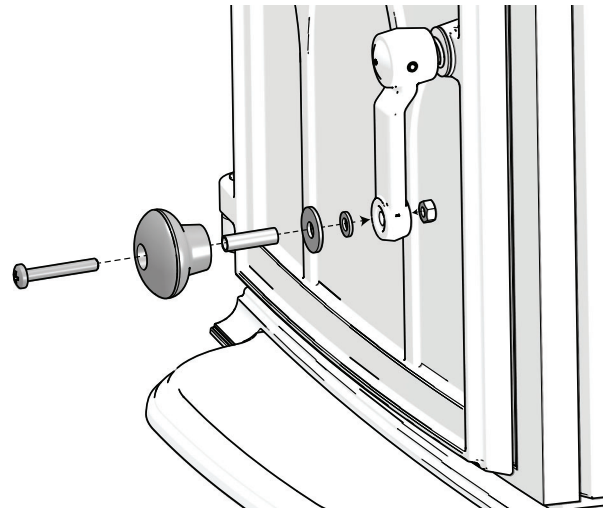


Fig. 3b Assemblare la maniglia del portello laterale



1. Montare il pomello in legno sulla maniglia del portello laterale. Le parti sono contenute nel sacchetto delle viti.

Fig. 4a Assemblare la maniglia del portello del ceneraio - parti

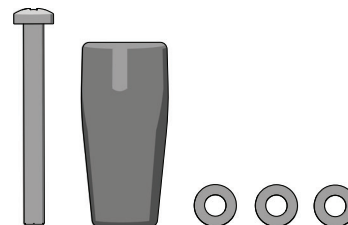
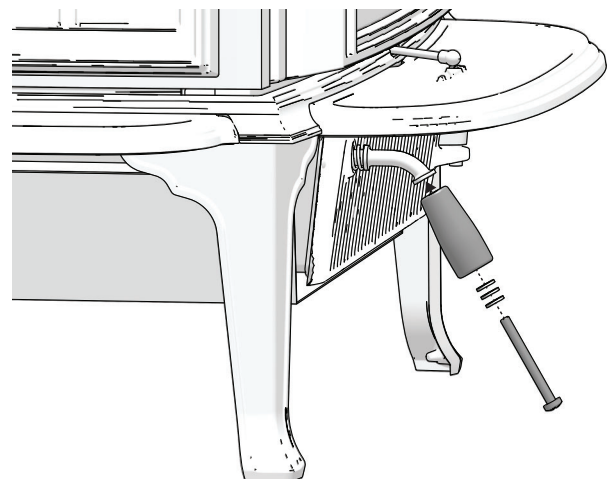
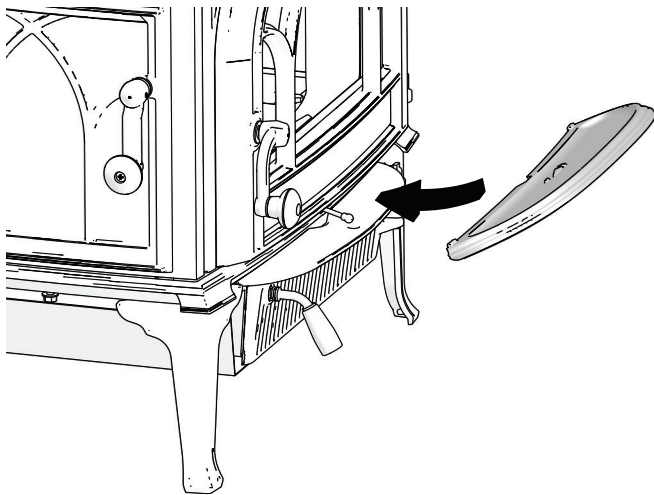


Fig. 4b Assemblare la maniglia del portello del ceneraio



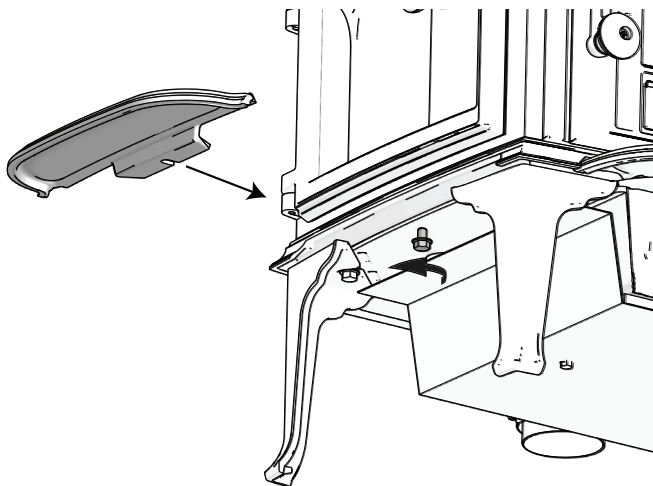
1. Montare il pomello in legno sulla maniglia del portello del ceneraio. Le parti sono contenute nel sacchetto delle viti.21

**Fig. 5 Montare il ceneraio frontale**



1. Il ceneraio va montato sul davanti della stufa.

**Fig. 6 Montare il ceneraio laterale**

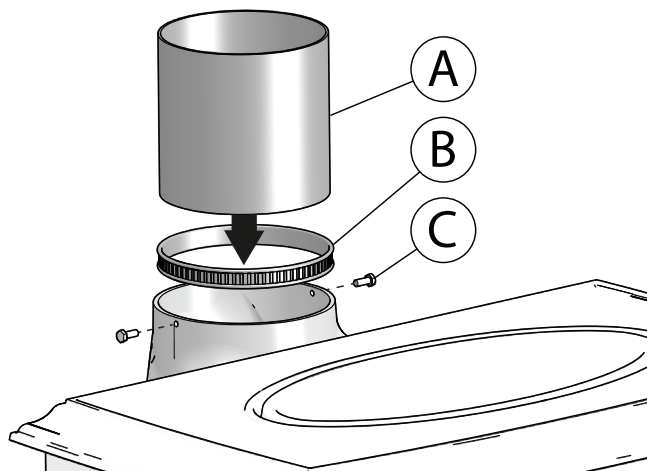


1. Il ceneraio laterale va montato sotto il portello laterale. Serrare la vite sul fondo per fissare il ceneraio.

## Montare il condotto di scarico fumi

Il prodotto è montato di fabbrica per uno scarico superiore.

**Fig. 7 Assemblare il condotto**



1. Marcare sul condotto di scarico fumi (A) dove toccano le viti quando il condotto tocca il fondo dello scarico fumi e praticare un foro da 7 mm nel condotto per alloggiare le viti (C).
2. Rimuovere la carta protettiva dalla guarnizione in dotazione (B) e montarla sul bordo esterno del condotto di scarico fumi.
3. Inserire il condotto nello scarico fumi e fissarlo con le due viti (C) in dotazione nel sacchetto delle viti.

Il condotto di scarico fumi viene installato allo stesso modo per lo scarico superiore e posteriore.

## 4.3 Montaggio con alimentazione dell'aria esterna (accessorio opzionale)

### Circolazione dell'aria fresca

L'aria utilizzata per la combustione in qualsiasi abitazione ben isolata deve essere sostituita. Ciò è particolarmente importante nelle abitazioni con ventilazione meccanica. È possibile procurare tale aria sostitutiva in vari modi. L'aspetto più importante è fornire l'aria nell'ambiente in cui è situata la stufa. Posizionare la valvola della parete esterna più vicino possibile alla stufa e assicurarsi che possa essere chiusa quando la stufa non è in uso.

Per il collegamento della circolazione dell'aria fresca, attenersi ai regolamenti edilizi nazionali e locali.

Verificare che le prese d'aria presenti nel locale in cui si trova la camino non siano ostruite.

### Sistema di combustione chiuso

Utilizzare il sistema di combustione chiuso della stufa se l'abitazione è a tenuta d'aria e di recente costruzione. Collegare l'aria di combustione esterna attraverso un condotto di ventilazione attraverso la parete o il pavimento.



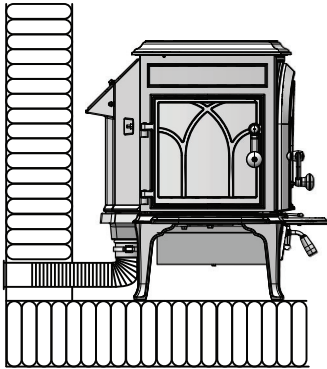
## Circolazione dell'aria

Il quantitativo di aria di combustione per i prodotti Jøtul è di circa 20-40 m<sup>3</sup>/h.

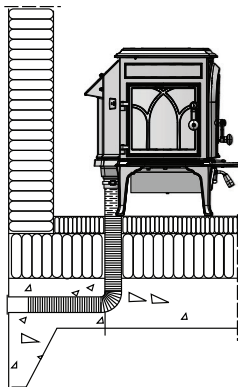
Il condotto per l'aria esterna può essere inserito direttamente in Jøtul F 500 ECO IT Series attraverso:

- il fondo
- attraverso un tubo flessibile di circolazione dell'aria dall'esterno/dalla canna fumaria (solo se la canna fumaria presenta un proprio condotto per l'aria esterna) diretto al connettore dell'aria esterna del prodotto.

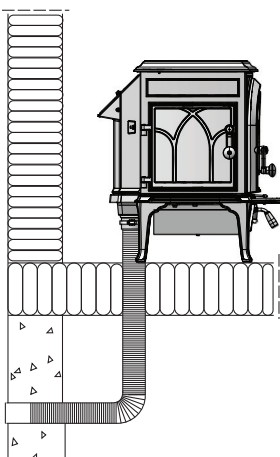
**Fig.8a Attraverso una parete esterna**



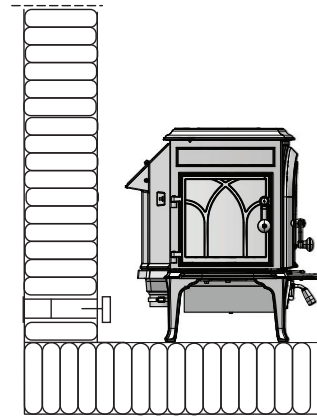
**Fig.8b Attraverso il pavimento e la piastra di terra**



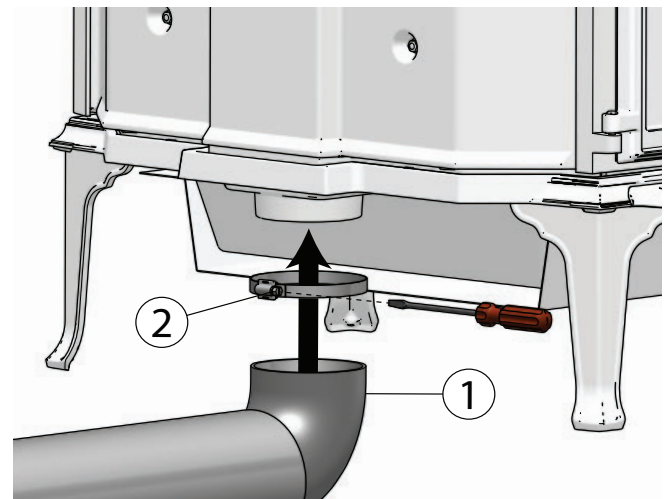
**Fig.8c Attraverso il pavimento e il basamento**



**Fig.8d Indirettamente attraverso una parete esterna**



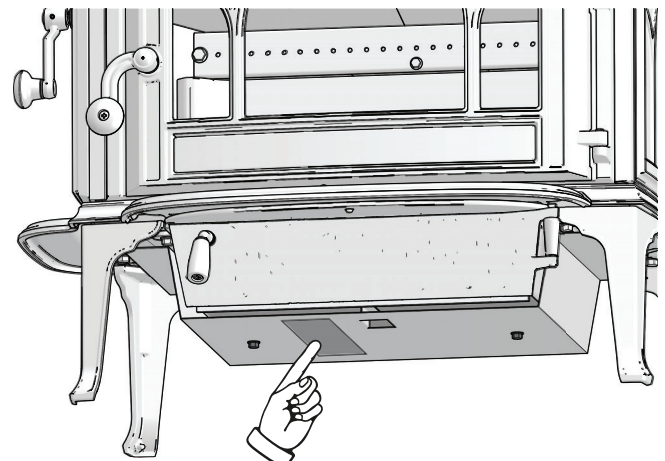
**Fig. 9 Montare il collegamento di alimentazione dell'aria esterna**



1. Montare il collegamento di alimentazione dell'aria esterna con la fascetta sul lato esterno del foro di alimentazione.
2. Serrare con il cacciavite.

## 4.4 Posizione dell'etichetta di conformità

**Fig. 10 Etichetta di conformità**



1. L'etichetta di conformità si trova sul fondo della stufa.

## 4.5 Canna fumaria e condotto

- Il caminetto deve essere collegato solo a una canna fumaria e a un condotto approvati per caminetti a combustibile solido; le temperature dei gas prodotti dal fumo sono indicate nel capitolo “2.0 Dati tecnici”.
- Per le dimensioni del condotto con la sezione trasversale rilevante, consultare il capitolo “2.0 Dati tecnici”.
- Il collegamento della canna fumaria deve essere realizzato in conformità alle istruzioni di installazione fornite dal produttore della stessa.
- Prima di praticare un foro nella canna fumaria, montare e posizionare provvisoriamente il prodotto, in modo da individuare la corretta posizione del caminetto e del foro sulla canna fumaria. Vedere la **Fig. 1** per le dimensioni minime.
- Assicurarsi che sia possibile spazzare vicino allo scarico posteriore e allo scarico superiore. Se necessario, utilizzare un condotto di scarico fumi dotato di un portello.
- Le curve inserite per l'evacuazione fumi o qualsiasi cambio di direzione influenza/riduce il tiraggio. Questo effetto si ha anche quando si utilizzano tratti orizzontali con pendenze ridotte. È estremamente importante che i collegamenti abbiano una certa flessibilità, questo per impedire ogni movimento in fase di installazione tale da causare la formazione di crepe.
- Per il tiraggio raccomandato della canna fumaria, consultare il capitolo “2.0 Dati tecnici”.

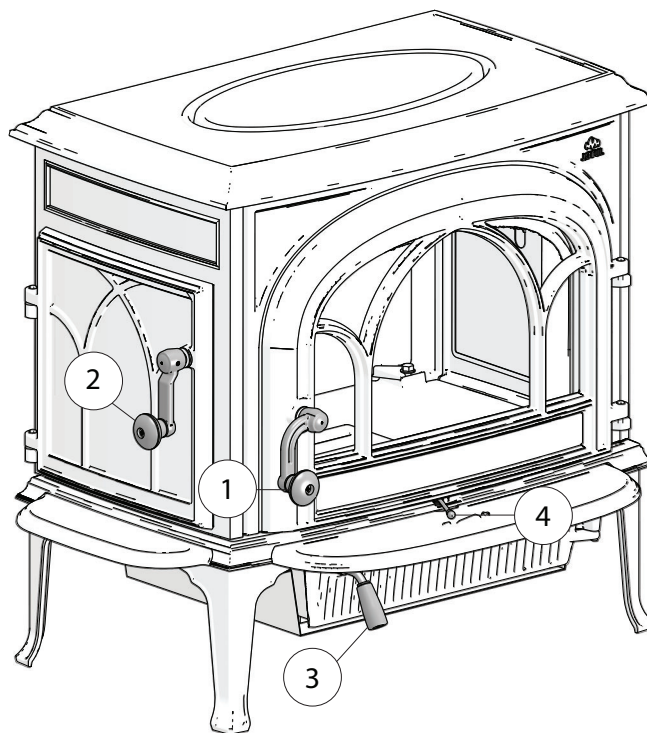
**Nota:** la lunghezza minima raccomandata della canna fumaria è 4 m dall'insero del condotto. Se il tiraggio risulta eccessivo, installare una valvola di regolazione del tiraggio.

Se è installata una valvola fumi, questa non deve bloccare completamente la canna fumaria (rifarsi alla normativa nazionale) La valvola deve essere facile da usare ed avere un'apertura come minimo di 20 cm<sup>2</sup> o il 3% della sezione. La posizione della valvola deve essere riconoscibile dall'impostazione dell'impianto. Se è montato un regolatore di tiraggio, valutare se la valvola è necessaria e la sezione minima non è più applicabile, ma il dispositivo deve essere facilmente accessibile per la pulizia.

## 4.6 Controllo delle prestazioni

Una volta assemblato il prodotto, controllare sempre le manopole di comando. Devono muoversi facilmente e funzionare in modo soddisfacente.

**Fig. 11 Jøtul F 500 ECO IT è dotato delle seguenti opzioni di funzionamento:**



1. Maniglia della porta frontale. Per aprire la porta, sollevare la maniglia (in senso orario) e tirare verso di sé.
2. Maniglia del portello laterale. Per aprire la porta, sollevare la maniglia (in senso orario) e tirare verso di sé.
3. Maniglia del portello del ceneraio. Per aprire la porta, sollevare la maniglia (in senso antiorario) e tirare verso di sé.
4. Valvola della presa d'aria e di accensione. Si regola in direzione orizzontale (vedere fig. 12).

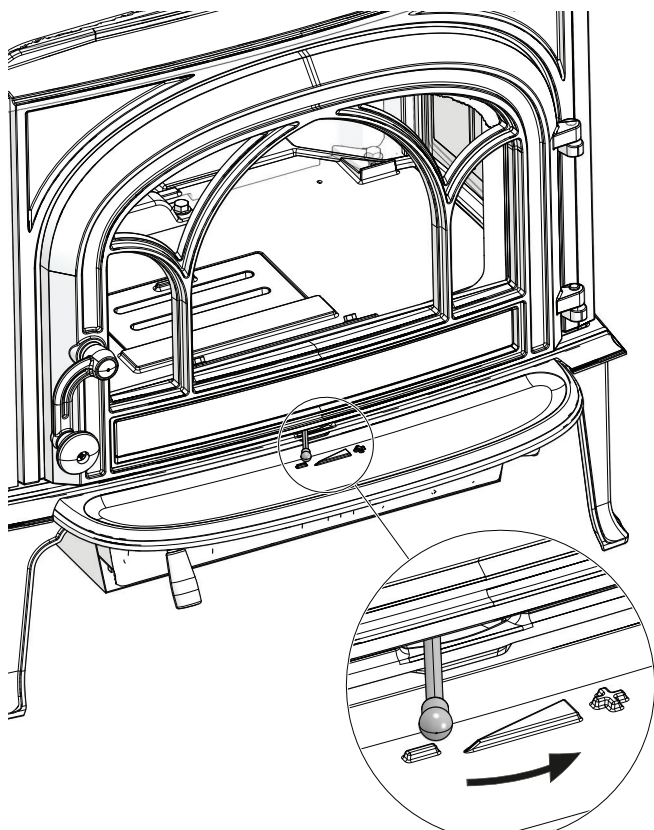
## 5.0 Utilizzo giornaliero

### 5.1 Odori al primo utilizzo del caminetto

Quando il caminetto viene utilizzato per la prima volta, può emettere un gas irritante dal lieve odore. Ciò si verifica perché la vernice si secca. Il gas non è tossico, tuttavia il locale deve essere ventilato approfonditamente. Lasciare bruciare il fuoco con un tiraggio elevato, fino a far scomparire ogni traccia di gas, fumo e odore.

## 5.2 Regolazione della valvola

Fig. 12



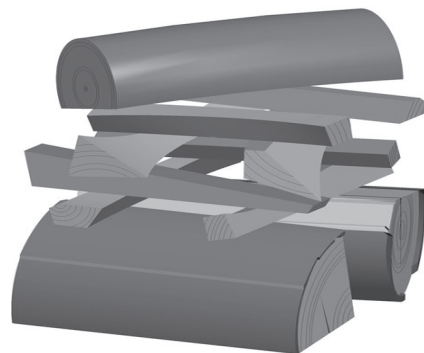
Tutta a destra: **Aperta** (utilizzata durante l'accensione).

Spostata a sinistra: **Chiusa**.

## 5.3 Accensione iniziale

- Aprire la valvola spostandola tutta a destra. Se necessario, tenere leggermente aperta la porta. (quando la maniglia è calda è opportuno utilizzare un guanto).
- Collocare due ceppi di medie dimensioni su ciascun lato della base (fig. 13). N.B. Al fine di evitare che il vetro si copra di fuliggine, è importante che i ciocchi non vengano sistemati in prossimità del vetro sul prodotto.
- Sistemare tra la legna dei fogli di giornale appallottolati oppure dei trucioli, aggiungervi alcune fascine disposte a incrocio e accendere i fogli di giornale.
- Aumentare gradualmente le dimensioni dei ceppi di legno.
- Infine, posiziona un tronco di media grandezza in cima alla pila.
- Regolare la presa d'aria superiore in modo da ottenere il tasso di combustione per il livello di riscaldamento desiderato (A).
- Chiudere la porta della stufa. Deve sempre essere chiusa quando si accende il fuoco.

Fig. 13



## 5.4 Aggiunta della legna

Alimentare frequentemente la stufa, aggiungendo solo piccoli quantitativi di combustibile alla volta. Se la stufa è troppo piena, il calore creato potrebbe causare sollecitazioni estreme della canna fumaria. Aggiungere con moderazione il combustibile al fuoco. Evitare i fuochi che bruciano senza fiamme, dato che ciò produrrà il massimo inquinamento. Un fuoco ottimale si ottiene con una buona bruciatura e un fumo in uscita dalla canna fumaria quasi invisibile.

## 5.5 Consiglio per l'alimentazione della stufa

**Nota:** i ceppi conservati all'aperto o in un locale freddo devono essere collocati all'interno 24 ore prima dell'uso, al fine di portarli alla temperatura ambiente.

Ci sono vari modi per alimentare la stufa, tuttavia è sempre importante prestare attenzione a ciò che viene collocato nella stufa. Consultare la sezione "**Qualità della legna**".

La bruciatura con una scarsa circolazione dell'aria può causare una combustione insufficiente, una ridotta efficienza energetica e una maggiore emissione di particelle, nerofumo e altri composti nocivi alla salute e all'ambiente..

### Qualità della legna

Per "legna di qualità" si intendono tipi di legna generalmente conosciuti come la betulla, l'abete e il pino.

I ceppi devono essere asciugati, in modo che il contenuto di umidità non sia superiore al 20%.

A tal fine, si consiglia di tagliare i ceppi alla fine dell'inverno. Tagliarli e impilarli in modo da garantire una buona ventilazione. Le pile di legna devono essere coperte per proteggere i ceppi dalla pioggia. Portare i ceppi all'interno all'inizio dell'autunno e impilarli/conservarli per utilizzarli in inverno.

**Prestare particolare attenzione a non utilizzare mai i seguenti materiali come combustibile per il caminetto:**

- Rifiuti domestici, buste di plastica, ecc.
  - Legname verniciato o impregnato (in quanto estremamente tossico).
  - Assi di legno laminato.
  - Cumuli di legname trasportato dalla corrente
- Possono danneggiare il prodotto e sono anche inquinanti.

**NB: Non usare mai benzina, paraffina, alcool metilico o liquidi simili per accendere il fuoco. Si potrebbero causare gravi lesioni a se stessi e danni al prodotto**

## 5.6 Consumo di legna

Jøtul F 500 ECO IT ha una portata termica nominale di ca. **10,5 kW**. Uso di legna con una produzione nominale di calore: Circa **2,08 kg/h**. Le dimensioni dei ciocchi devono essere pari a:

### Fascine:

Lunghezza: 30-55 cm

Diametro: 5 cm

Quantità per un'accensione: 5-8 pezzi

### Legna da ardere (spaccata):

Lunghezza: 35 cm

Diametro: circa 8-13 cm

Intervallo di aggiunta della legna: circa ogni 48 minuti

Aumento della fiamma: 2,08 kg

Quantità per carica: 3 pezzi

I risultati dei test dati sono stati ottenuti caricando 3 ciocchi di legna di 35 cm, peso totale di 2,08 kg. I ciocchi sono disposti trasversalmente. Valvola regolata per circa il 40% d'aria.

## 5.7 Pericolo di surriscaldamento

### Il caminetto non deve mai essere utilizzato in modo tale da causare surriscaldamento

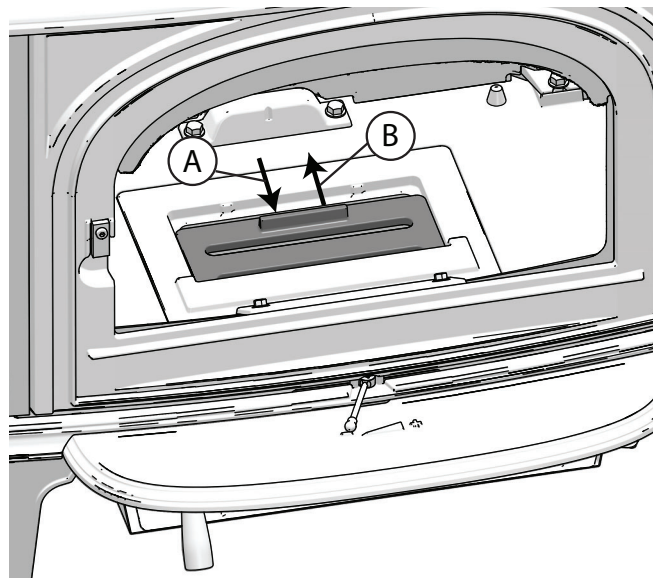
Il surriscaldamento si verifica in presenza di un eccesso di combustibile e/o di aria, causando un calore eccessivo. Un segno evidente di surriscaldamento è la presenza di un bagliore rosso in alcune parti del caminetto. Se ciò dovesse accadere, ridurre immediatamente l'apertura della presa d'aria.

Consultare un professionista se si sospetta che la canna fumaria non presenti un tiraggio corretto (tiraggio eccessivo o scarso). Per ulteriori informazioni, consultare il capitolo "4.0 Installazione" (Canna fumaria e condotto).

## 5.8 Rimozione della cenere

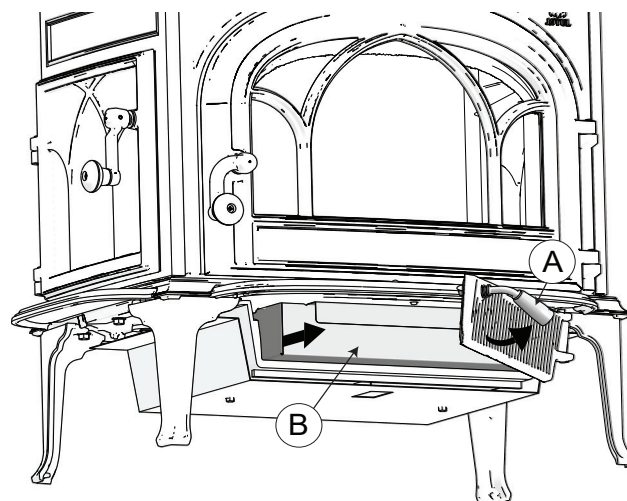
- Rimuovere la cenere solo con il caminetto freddo.
- Utilizzare un badile per raschiare via la cenere.
- La cenere deve essere posta fuori in un contenitore di metallo.

Fig. 14 Grata per la cenere



1. La grata per la cenere si apre (A) tirandola verso la porta, utilizzando un attrezzo idoneo.
2. Le ceneri cadono attraverso la grata.
3. Chiudere la grata per la cenere dopo la pulizia (B). La grata deve essere chiusa durante il funzionamento della stufa, per garantire una combustione ottimale.

Fig. 15 Cassetto ceneraio



4. Aprire il portello del ceneraio con la maniglia (A). Rimuovere il cassetto ceneraio (B) e svuotare le ceneri in un contenitore adatto, quindi rimettere in posizione il cassetto.



## 5.9 Come vento e agenti atmosferici influiscono sulla stufa

Le performance della stufa possono essere influenzate notevolmente dal vento che agisce sul camino con una forza diversa. Pertanto può essere necessario regolare l'alimentazione dell'aria per garantire buone performance di combustione. Inoltre può essere utile montare una valvola di tiraggio nel tubo di scarico, in modo da regolare il tiraggio del camino in base alla forza del vento.

Nebbia e foschia possono avere un impatto significativo sul tiraggio del camino e può essere necessario utilizzare impostazioni dell'aria di combustione per garantire buone performance.

### 5.10 Condensa

Può capitare di riscontrare fenomeni di condensa nella camera di combustione / tubi / canna fumaria. Questo dipende dall'umidità della legna o da differenze di temperature nella camera di combustione o nell'ambiente.

La condensa nella camera di combustione appare come un liquido nero. Questa deve essere rimossa per evitare danni alla colorazione del prodotto, del pavimento o del rivestimento. Per questo è importante una fase di accensione veloce che limiti la produzione di condensa.

Se l'afflusso di condensa continua si può usare della sabbia minerale sul fondo della camera di combustione.

### 5.11 Canna fumaria

La canna fumaria è il motore che aziona il camino ed è essenziale possedere una buona canna fumaria perché il focolare funzioni correttamente.

Il tiraggio nella canna fumaria crea un vuoto nella stufa. Tale vuoto estrae il fumo dalla stufa e aspira aria attraverso il parafiamma dell'aria di combustione per alimentare il processo di combustione.

L'aria di combustione viene anche utilizzata per il sistema di lavaggio ad aria che mantiene pulita la finestra dalla fuliggine.

Il tiraggio nella canna fumaria è causato dalla differenza di temperatura all'interno e all'esterno della canna fumaria. Maggiore è la differenza di temperatura, migliore sarà il tiraggio nella canna fumaria. Pertanto è importante consentire alla canna fumaria di raggiungere la temperatura operativa prima di regolare le prese d'aria per limitare la combustione nella stufa (una canna fumaria in muratura richiede più tempo per raggiungere la temperatura operativa rispetto ad una canna fumaria in acciaio).

È particolarmente importante raggiungere la temperatura operativa il più rapidamente possibile nei giorni in cui il tiraggio della canna fumaria non è ideale a causa di condizioni di vento e clima sfavorevoli. Assicurarsi che il combustibile si accenda il più rapidamente possibile. Suggerimento pratico: Tagliare la legna in pezzi molto più piccoli e utilizzare un'esca per il fuoco aggiuntiva.

Nota: Se la stufa non è stata utilizzata per diverso tempo, è importante verificare l'assenza di eventuali ostruzioni nel tubo della canna fumaria.

## 6.0 Manutenzione

### 6.1 Pulizia del vetro

Il prodotto dispone del sistema di pulizia ad aria del vetro. Attraverso la presa d'aria, l'aria viene risucchiata nella parte superiore del camino e spinta verso il basso lungo la parte interna del vetro.

Sarà comunque inevitabile l'accumulo di un po' di fuliggine sul vetro, la cui quantità dipenderà dalle condizioni di tiraggio locale e dalla regolazione della presa d'aria. La maggior parte della fuliggine verrà normalmente bruciata quando si apre completamente la presa d'aria mentre il fuoco brucia vivacemente nel camino.

Suggerimento utile! Per la pulizia generale, utilizzare carta da cucina inumidita con acqua calda e aggiungere della cenere presa dalla camera di combustione. Pulire il vetro con la carta, quindi risciacquarlo con acqua pulita e asciugarlo completamente. Se fosse necessario pulire il vetro più a fondo, utilizzare un detergente per vetri (seguire le istruzioni riportate sul flacone).

### 6.2 Pulizia e rimozione della fuliggine

I depositi di fuliggine possono accumularsi sulle superfici interne del caminetto durante l'uso. La fuliggine è un buon isolante, pertanto riduce la potenza termica del caminetto. Se si accumulano depositi di fuliggine durante l'utilizzo del prodotto, per rimuoverli è sufficiente utilizzare un detergente specifico.

Al fine di impedire la formazione di acqua e di uno strato di pece liquida nel caminetto, consentire regolarmente la presenza di fiamme particolarmente calde per rimuovere lo strato. È richiesta una pulizia interna annuale per ottenere i migliori risultati termici dal prodotto. Si consiglia di effettuarla insieme alla pulizia della canna fumaria e dei condotti.

### 6.3 Pulizia dei condotti alla canna fumaria

I condotti devono essere spazzati attraverso l'apposito portello o l'apertura della porta. In genere, occorrerà rimuovere il parafiamma.

### 6.4 Ispezione del caminetto

Jøtul raccomanda di ispezionare attentamente il proprio caminetto dopo averlo spazzato e pulito. Controllare tutte le superfici visibili per individuare eventuali crepe. Controllare anche che tutti i giunti siano sigillati e che tutte le guarnizioni siano nelle posizioni corrette. Qualsiasi guarnizione che mostri segni di usura o deformazione deve essere sostituita.

Pulire accuratamente le scanalature delle guarnizioni, applicare della colla per ceramica (disponibile presso il proprio rivenditore Jøtul locale) e premere la guarnizione in posizione. Il giunto si asciugherà rapidamente.

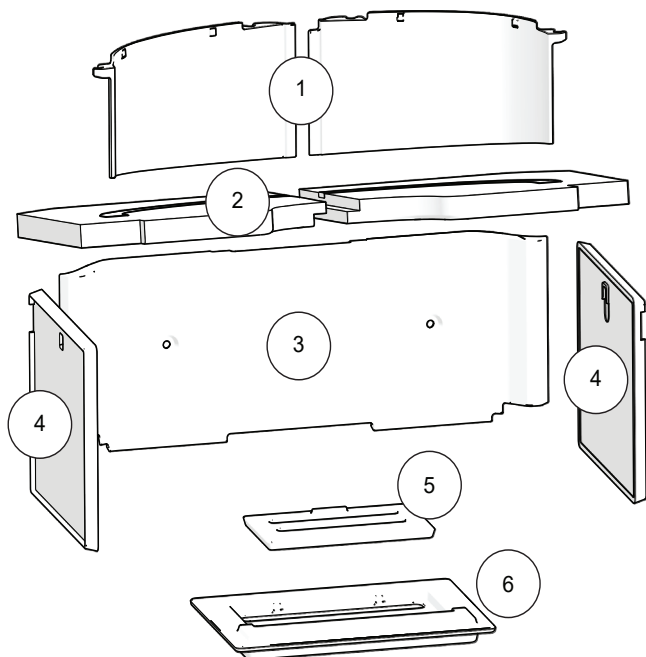
### 6.5 Manutenzione esterna

Il colore dei prodotti verniciati può alterarsi dopo svariati anni di utilizzo. La superficie deve essere pulita e spazzolata in modo da rimuovere ogni residuo prima di applicare la nuova vernice.

## 7.0 Assistenza

È vietata ogni modifica non autorizzata al prodotto.  
Utilizzare solo ricambi originali.

Fig. 16

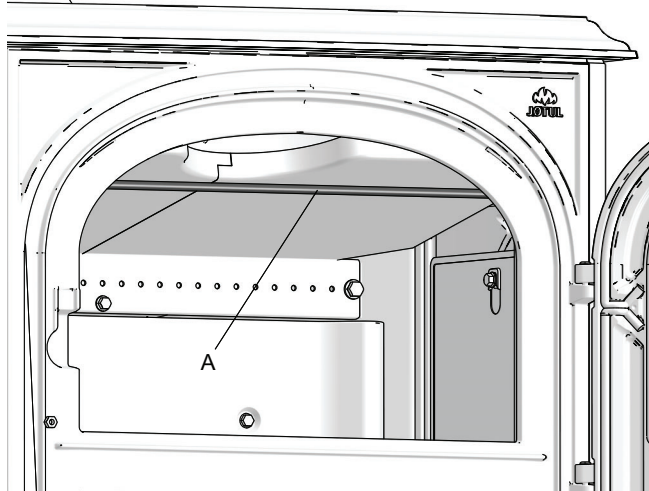


1. Deflettore dei fumi (2 pezzi)
2. Piastra del parafiamma (2 pezzi)
3. Piastre refrattarie posteriori
4. Piastre refrattarie laterali (2 pezzi)
5. Grata della cenere
6. Supporto per la grata della cenere

### 7.1 Sostituire la piastra del parafiamma

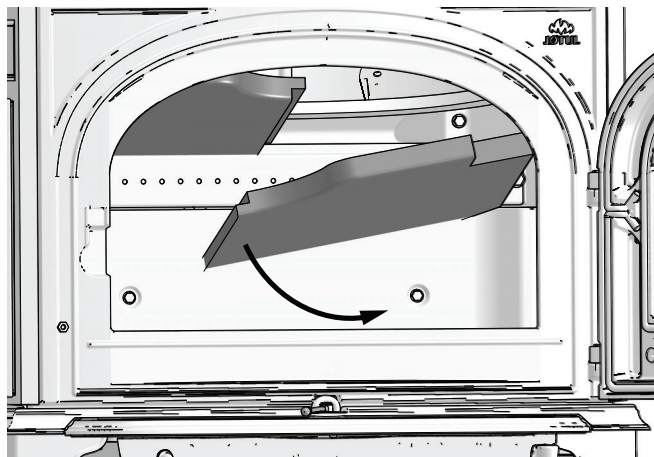
Utilizzare gli utensili con grande attenzione.

Fig. 17a Liberare le piastre del parafiamma



1. Sollevare la barra di supporto (A) che sostiene la piastra del parafiamma e tirarla verso di sé, quindi inclinarla ed estrarla dalla stufa. **NOTA:** Ora le due piastre del parafiamma sono libere e devono essere sostenute per non cadere.

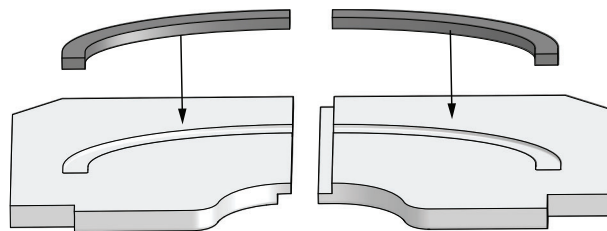
Fig. 17b Rimuovere le piastre del parafiamma



2. Le piastre del parafiamma sono libere e possono essere estratte dalla stufa. **NOTA:** Estrarre prima la piastra di destra, poi quella di sinistra.

Per reinserire i componenti estratti, seguire la stessa procedura in ordine inverso (vedere prima la fig. 17c).

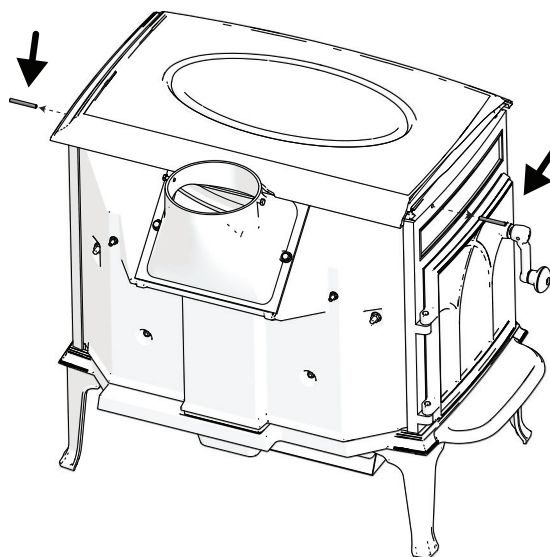
Fig. 17c Sostituire la guarnizione della piastra del parafiamma



3. Quando si sostituisce la piastra del parafiamma, è necessario sostituire anche la guarnizione sul deflettore dei fumi. Per farlo, montare le guarnizioni in dotazione nelle scanalature presenti sopra la piastra del parafiamma.

### 7.2 Sostituire il deflettore dei fumi

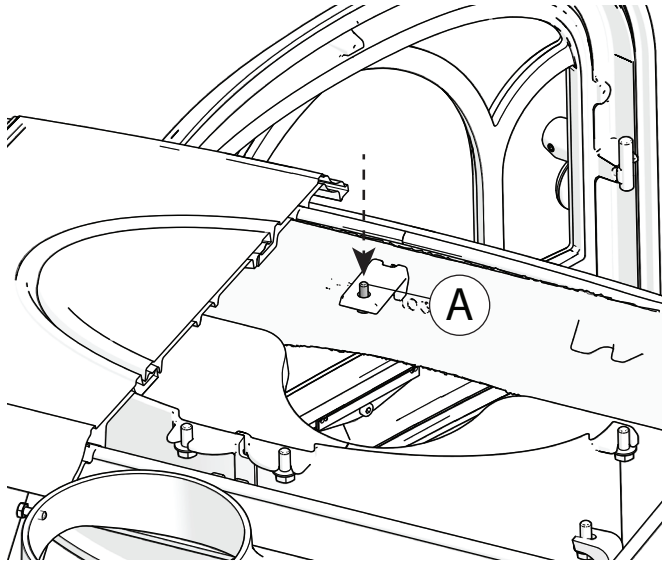
Fig. 18a Sostituire il deflettore dei fumi



1. Svitare le 2 viti su ciascun lato della stufa.

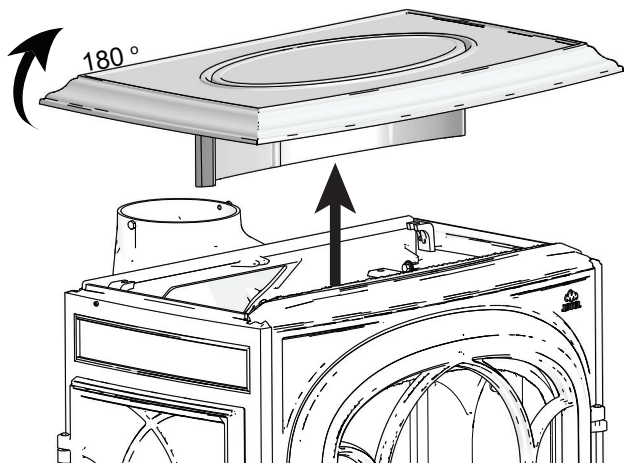


Fig. 18b Sostituire il deflettore dei fumi



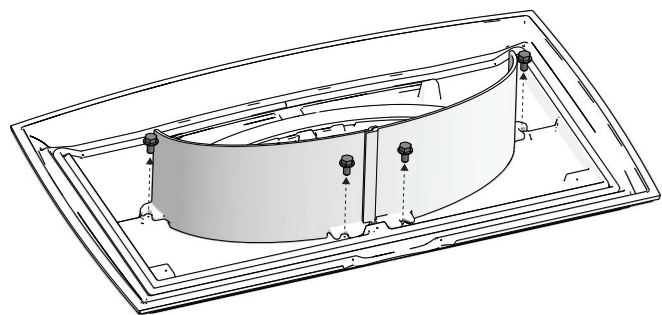
2. Allentare la vite (A) che fissa la piastra superiore. Ciò deve essere fatto dall'interno della camera di combustione.

Fig. 18c Sostituire il deflettore dei fumi



3. Sollevare la piastra superiore, ruotarla di 180 gradi e appoggiarla su una superficie piana. **NOTA:** È importante che la superficie di appoggio sia morbida, così da non graffiare o danneggiare la piastra

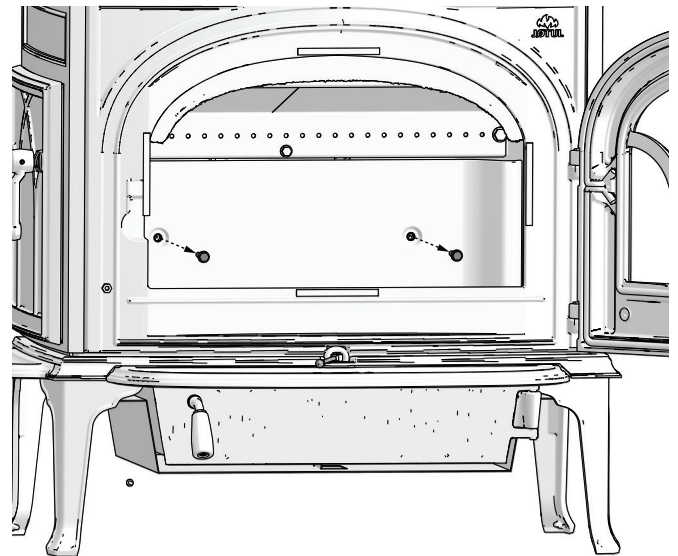
Fig. 18d Sostituire il deflettore dei fumi



4. Allentare le 4 viti che fissano il deflettore dei fumi alla piastra superiore.
5. Per rimontarlo, seguire la stessa procedura in ordine inverso.

## 7.3 Sostituire le piastre refrattarie

Fig. 19a Sostituire la piastra refrattaria posteriore



1. Liberare la piastra refrattaria posteriore svitando le viti, come mostrato in figura. Le viti sono continue con dado sul retro della stufa (vedere fig.19b)

Fig. 19b

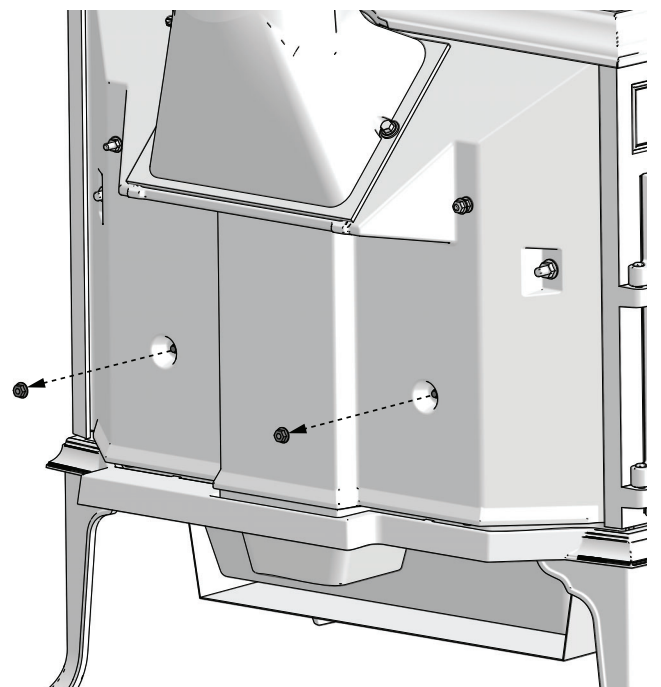
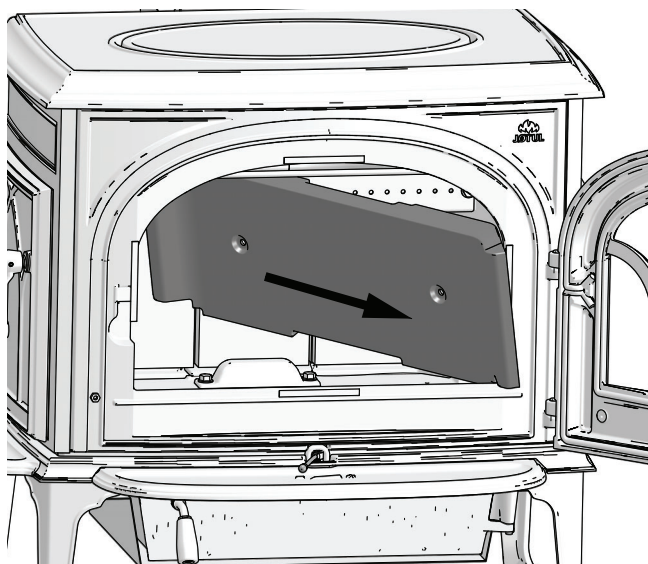
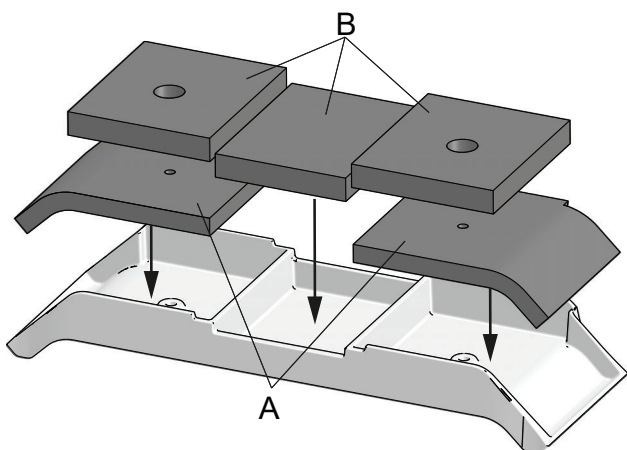


Fig. 19c



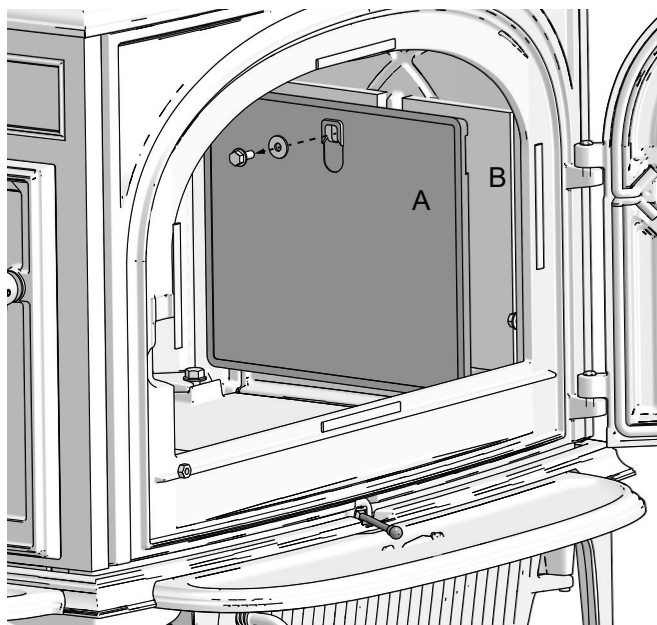
2. Inclinare la piastra refrattaria posteriore ed estrarla dalla stufa.
3. Per reinserire i componenti estratti, seguire la stessa procedura in ordine inverso (vedere prima la fig. 20, pannelli isolanti)

Fig. 20 Sostituire i pannelli isolanti



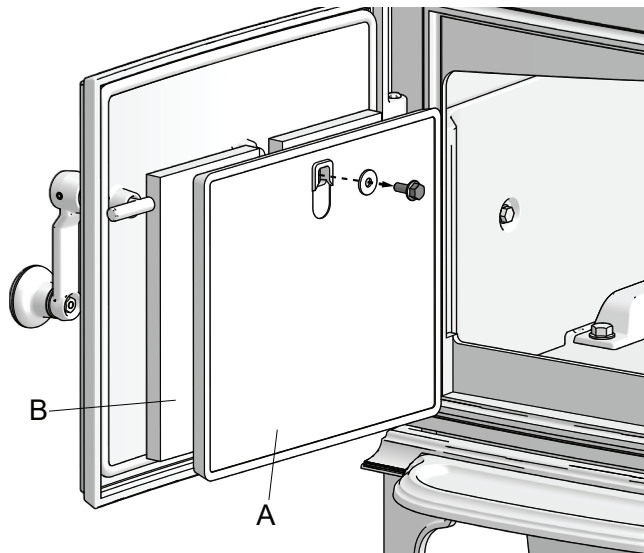
4. Dietro la piastra refrattaria posteriore si trovano 5 pannelli isolanti. Questi devono essere rimpiazzati quando si sostituisce la piastra refrattaria posteriore. Appoggiare la nuova piastra refrattaria posteriore su una superficie adeguata, e montare i pannelli isolanti come indicato in figura. **NOTA:** È importante che i pannelli isolanti siano collocati come mostrato in figura, poiché hanno spessori differenti. Pannello isolante A = spessore 19 mm (2 pezzi), B = spessore 25 mm (3 pezzi).

Fig. 21 Sostituire la piastra refrattaria laterale (destra)



1. Allentare la vite e la rondella che fissano la piastra refrattaria laterale (A) e il pannello isolante (B).
2. Inclinare la piastra refrattaria laterale e il pannello isolante ed estrarli dalla stufa.
3. Per rimontarli, seguire la stessa procedura in ordine inverso.

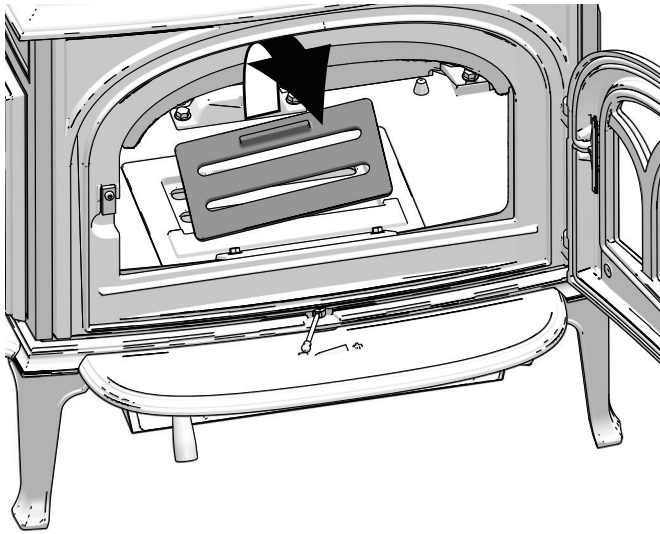
Fig. 22 Sostituire la piastra refrattaria laterale sul portello laterale



1. Aprire il portello laterale.
2. Allentare la vite e la rondella che fissano la piastra refrattaria (A) e il pannello isolante (B).
3. Rimuovere la piastra refrattaria e il pannello isolante dal portello.
4. Per rimontarli, seguire la stessa procedura in ordine inverso.

## 7.4 Sostituire la grata della cenere

Fig. 23 Sostituire la grata della cenere



1. Inclinare la grata della cenere, che si trova appoggiata sulla piastra di fondo della stufa.

## 8.0 Risoluzione dei problemi

### Scarso tiraggio

Verificare la lunghezza della canna fumaria e la conformità alle norme nazionali (per informazioni, vedere anche le sezioni «2.0 Dati tecnici» e «4.0 Installazione» (Canna fumaria e condotto) nel manuale di installazione).

Accertarsi che la sezione trasversale minima della canna fumaria sia conforme a quanto riportato nella sezione «2.0 Dati tecnici» del manuale di installazione.

Verificare che non ci sia nulla che impedisca il deflusso del fumo: rami, alberi e così via.

Se si sospetta un tiraggio eccessivo o insufficiente della canna fumaria, rivolgersi a un tecnico specializzato per la misurazione e la regolazione.

### Il camino e spegnimento del fuoco

- Accertarsi che la legna sia sufficientemente secca.
- Verificare che ci sia una pressione negativa nella stanza, spegnere le ventole meccaniche e aprire una finestra nelle vicinanze del camino.
- Controllare che la presa d'aria sia aperta.
- Controllare che il condotto di scarico dei fumi non sia intasato dalla fuliggine.

### Accumulo anomalo di fuliggine sul vetro

È inevitabile che si accumuli della fuliggine sul vetro, ma la sua quantità dipende da:

- Umidità del combustibile.
- Condizioni di tiraggio del locale.
- Apertura della presa d'aria.

Gran parte della fuliggine viene normalmente bruciata quando la presa d'aria è completamente aperta e il fuoco arde vivacemente nel camino.

## 9.0 Accessori opzionali

### 9.1 Scudo termico posteriore

codice art 50012977

### 9.2 Kit di alimentazione dell'aria esterna Ø 100

codice art 51012164

### 9.3 Copertura superiore in pietra ollare

codice art 50012992

## 10.0 Riciclaggio

### 10.1 Riciclaggio dell'imballo

Ogni caminetto viene fornito all'interno del seguente imballo:

- Un pallet di legno che può essere tagliato e bruciato nel caminetto.
- Un imballo in cartone riciclabile da consegnare alle strutture di riciclaggio locali.
- Buste in plastica riciclabili da consegnare alle strutture di riciclaggio locali.

### 10.2 Riciclaggio del caminetto

**Il caminetto è composto dai seguenti materiali:**

- Metallo riciclabile da consegnare alle strutture di riciclaggio locali.
- Vetro da smaltire come rifiuto pericoloso. Il vetro contenuto nel caminetto non deve essere collocato in un normale contenitore per rifiuti domestici.
- Piastre refrattarie in vermiculite da smaltire nei normali contenitori per rifiuti domestici.

## 11.0 Termini della garanzia

### 1. La nostra garanzia copre:

Jøtul AS garantisce che i componenti esterni in ghisa sono esenti da difetti di materiali o lavorazione al momento dell'acquisto. È possibile estendere la garanzia per i componenti esterni in ghisa fino a 25 anni dalla data di consegna registrando il prodotto sul sito [jotul.com](http://jotul.com) e stampando la scheda di garanzia estesa entro tre mesi dall'acquisto. Consigliamo di conservare la scheda della garanzia assieme allo scontrino. Jøtul AS garantisce inoltre che i componenti delle piastre in acciaio sono esenti da difetti di materiali o lavorazione al momento dell'acquisto per un periodo di 5 anni dalla data di consegna.

La garanzia è valida a condizione che la stufa sia stata installata da un installatore qualificato conformemente con le leggi e normative applicabili e con le istruzioni di installazione e operative di Jøtul. I prodotti riparati e gli articoli sostitutivi sono garantiti per il periodo originale della garanzia.

## 2. La garanzia non copre:

- 2.1. Danni ai consumabili come le piastre refrattarie, le grate del fuoco, i parafiamma, le guarnizioni ed elementi simili, essendo soggetti a deterioramento nel tempo a causa della normale usura
- 2.2. Danni causati da manutenzione impropria, surriscaldamento, uso di combustibile non idoneo (esempi di combustibili non idonei sono, senza limitazione, cumuli di legname trasportato dalla corrente, legna impregnata, ritagli di assi, truciolato) o legna troppo umida/bagnata
- 2.3. Installazione di accessori opzionali per la modifica delle condizioni di tiraggio locali, la circolazione dell'aria o altre circostanze al di fuori del controllo di Jøtul
- 2.4. Casi di alterazione / modifica del focolare senza il previo consenso di Jøtul o l'utilizzo di parti non originali
- 2.5. Danni causati durante l'immagazzinaggio presso un distributore, il trasporto dal distributore o durante l'installazione
- 2.6. Prodotti venduti da rivenditori non autorizzati in aree in cui Jøtul opera un sistema di distribuzione selettiva
- 2.7. Costi associati (ad es., senza limitazione, trasporto, manodopera, trasferimento) o danni indiretti

Stufe a pellet, vetro, pietra, cemento, smalto e finitura a vernice (ad es., senza limitazione, scheggiatura, formazione di crepe, bolle o scolorimento e screpolatura) sono applicabili alle normative nazionali che disciplinano la vendita dei prodotti al consumo. La presente garanzia è valida per gli acquisti effettuati all'interno del territorio dello Spazio economico europeo. Qualsiasi domanda relativa alla garanzia deve essere rivolta al rivenditore Jøtul autorizzato di zona entro un periodo di tempo ragionevole, non successivo a 14 giorni dalla data in cui il guasto o il difetto si sono manifestati per la prima volta. Vedere l'elenco dei rivenditori sul nostro sito [Web.jotul.com](http://Web.jotul.com).

Se Jøtul non sarà in grado di rispettare i termini della garanzia per la stufe del cliente (fuori produzione), Jøtul offrirà al cliente una stufa di pari capacità di riscaldamento ma di modello differente.

Jøtul si riserva il diritto di rifiutare qualsiasi sostituzione di componenti o attività di assistenza nel caso in cui la garanzia non sia stata registrata online. La presente garanzia non pregiudica alcun diritto previsto dalle normative nazionali che disciplinano la vendita di prodotti al consumo. Il diritto di reclamo del cittadino è valido dalla data di acquisto e solo dietro presentazione di scontrino/numero di serie.









## NO | Kvalitet og sikkerhets kontroll

Siden 1853 har Jøtul vært kjent for å produsere ovner og peiser av høy kvalitet og med lang levetid. Vi ønsker å tilby våre kunder de absolutt beste produktene og gir derfor også markedets lengste garanti. Gjennom vår produkt- og kvalitetskontroll vektlegges nettopp dette – trygghet og sikkerhet. Kontrollen forsikrer deg som forbruker et sikkert og godt kvalitetsprodukt gjennom hele produktets levetid. Velger du en Jøtul gjør du et trygt valg.

## EN | Quality and safety control

Since 1853 Jøtul has been known for manufacturing stoves and fireplaces of high quality and long lifetime. We want to offer our customers the absolute best products and therefore we have the longest guarantee on the market. Through our product and quality control, we emphasize this - safety and security. Our control assures you, the consumer a safe and good quality product throughout its lifetime. By choosing Jøtul, you have made a safe choice.

Utført/ Checked	Kvalitet og Sikkerhets kontroll for F 500 ECO IT - familien	Quality and safety check for F 500 ECO IT - family
	Overflater er i henhold til Jøtuls kvalitetsstandard	Surfaces are according to Jøtul workmanship standard
	Glass er kontrollert, og fri for hakk, merker, riper	The glass is inspected and without any marks and scratches
	Glasset dekker lisser, og hver spalte er lik mot dør på alle sider.	The glass is assembled correctly over the rope and with the same distance to the door on all sides.
	Synlige skruer, glassklips, hengsler er montert riktig og etter sjekket.	All visible screws, hinges and clips are checked and assembled correctly.
	Lukkemekanismer og ventiler er riktig justert og tilpasset til produktet.	Locking mechanisms and valves are controlled and adjusted to the product.
	Lukkemekanismen er funksjons testet og fungerer som den skal.	The locking mechanism is tested, and works correctly.
	Pakninger er riktig lagt, godt limt og plassert med riktig pakningstrykk.	Ropes are correct, fastened and assembled with correct pressure.

	Tilleggskomponenter er lagt ved produktet: Mappe m/ M&B + Eco Label, og pose pakket. Røykstuss legges også ved.	Additional components are included: 1PCS M&B, and accessory bag and smoke outlet.
	Godkjenningsskilt er sjekket mot serienummer, og stemmer med produktet.	Approval sign is checked and serial number correspond with this product.
	Døren er riktig justert	The door is correctly adjusted.
	1 stk trekkventil er funksjons testet og funnet i orden.	1 pcs. of air valves are controlled, tested and works fine.
	Målt verdi for lekkasjekontroll: <b>m<sup>3</sup>/t</b>	Leakage test is conducted. Measured value: <b>m<sup>3</sup>/t</b>

Jøtul bekrefter herved at dette produktet er kontrollert og funnet å være i samsvar med våre kvalitetsnormer.	Jøtul hereby confirm that this product has been QC inspected and found to comply with our quality standards.	
Lot#/Serie nr.	Checked by/ kontrollert av	Date/Dato:

Cat.no. 10058809-P08  
Jøtul AS, Mars, 2024

Jøtul arbeider kontinuerlig for om mulig å forbedre sine produkter, og vi forbeholder oss retten til å endre spesifikasjoner, farger og utstyr uten nærmere kunngjøring.

Jøtul AS arbejder kontinuerlig med om mulig at forbedre sine produkter, og vi forbeholder os ret til at endre specifikationer, farver og udstyr uden nærmere kundgjøring.

Jøtul arbetar kontinuerligt för om möjligt kunna förbättra sina produkter, och vi förbehåller oss rätten att ändra specifikationer , färger och tillbehör utan att meddela.

Jøtul kehittää jatkuvasti tuotteitaan. Pidätämme siksi oikeuden tehdä muutoksia tuotteiden tietoihin, väreihin ja varusteisiin ilman erillistä ilmoitusta

#### Kvalitet

Vår kvalitetspolitikk skal gi kundene den trygghet og kvalitetsopplevelse som Jøtul har stått for siden bedriftens historie startet i 1853.

#### Kvalitet

Vores kvalitetspolitik skal give kunderne den tryghed og kvalitetsoplevelse som Jøtul har stået for siden virksomhedens historie startet i 1853.

#### Kvalitet

Vår kvalitetspolitik skall ge kunderna trygghet och kvalitetsupplevelse som Jøtul har stått för sedan företaget startade 1853.

#### Laatu

Laatua koskevien menettelytapojemme tulee antaa asiakkaillemme kokemus siitä turvallisuudesta ja laadusta, josta Jøtul on tunnettu perustamisestaan, vuodesta 1853, lähtien.



Jøtul AS,  
P.o. box 1411  
N-1602 Fredrikstad,  
Norway  
[www.jotul.com](http://www.jotul.com)