

JØTUL PF 721 V2

JØTUL PF 721 V2
Manual Version P.05

| | | |
|----|--|----|
| EN | - Installation, operation and maintenance manual | 2 |
| IT | - Manuale di installazione, uso e manutenzione | 24 |
| PL | - Instrukcja instalacji, obsługi i konserwacji | 46 |



JØTUL PF 721 V2.

EN - Before use, read the general instructions of installation, use and maintenance carefully
IT - Prima dell'uso, leggere attentamente le istruzioni generali di installazione, uso e manutenzione
PL - Przed użyciem należy dokładnie zapoznać się z ogólną instrukcją instalacji, użytkowania i konserwacji



The instruction manual provided with the product must be kept throughout the entire period of the products use. Le istruzioni fornite devono essere conservate per tutta la vita del prodotto. Instrukcje dostarczone z produktem muszą być przechowywane przez cały okres użytkowania produktu.

ENGLISH

TABLE OF CONTENTS

| | | | |
|--|-----------|--|-----------|
| 1 INTRODUCTION | 3 | 9 USING THE STOVE | 13 |
| 1.1 Symbols..... | 3 | 9.1 Firing..... | 13 |
| 1.2 Use..... | 3 | 9.2 Modification of parameters | 13 |
| 1.3 Purpose and content of the instruction manual | 3 | 9.3 Extinguishing..... | 13 |
| 1.4 Storage of the instruction manual..... | 3 | 9.4 Work with room thermostat | 13 |
| 1.5 Update of instruction manual | 3 | 9.5 Work with ambient temperature sensor installed on the stove..... | 13 |
| 1.6 General information | 3 | 9.6 Draught conditions | 14 |
| 1.7 Main reference safety standards that must be adhered to..... | 3 | 10 AVAILABLE FUNCTIONS | 14 |
| 1.8 Statutory guarantee..... | 4 | 10.1 “Timer” function | 14 |
| 1.9 Limitations of the manufacturer’s liability..... | 4 | 10.2 Economic function “Eco mode”..... | 14 |
| 1.10 Characteristics of the user..... | 4 | 10.3 “Reignition delta” function | 15 |
| 1.11 Technical assistance | 4 | 10.4 “Autonomy” function..... | 15 |
| 1.12 Spare parts..... | 4 | 10.5 “Replenishment” function | 15 |
| 1.13 Rating plate | 4 | 10.6 Reignition after power failure | 15 |
| 1.14 Delivery of the stove | 4 | 10.7 “Keyboard lock” function..... | 15 |
| 2 SAFETY GUIDELINES..... | 4 | 10.8 Minimum temperature..... | 15 |
| 2.1 Warnings for the installer | 4 | 11 ALARM MANAGEMENT | 16 |
| 2.2 Warnings for technical maintenance personnel..... | 5 | 12 MAINTENANCE..... | 17 |
| 2.3 Warnings for users | 5 | 12.1 Safety measures..... | 17 |
| 3 FUEL PROPERTIES | 6 | 12.2 Ordinary maintenance at the user’s place..... | 17 |
| 3.1 Fuel properties | 6 | 12.3 Extraordinary maintenance..... | 18 |
| 3.2 Pellet storage..... | 6 | 13 DISPOSAL AND SCRAPPING | 18 |
| 4 TRANSPORT AND RELOADING..... | 6 | ELECTRICAL DIAGRAM | 19 |
| 4.1 Removal of the stove from the transport pallet..... | 6 | TECHNICAL DATA | 20 |
| 5 PREPARING THE INSTALLATION SITE..... | 7 | DESCRIPTION..... | 21 |
| 5.1 General considerations..... | 7 | DIMENSIONS..... | 22 |
| 5.2 Location of the stove..... | 7 | CE LABEL | 23 |
| 5.3 Combustion air..... | 7 | | |
| 5.4 Smoke evacuation..... | 8 | | |
| 6 INSTALLATION..... | 9 | | |
| 6.1 Levelling of stove..... | 9 | | |
| 6.2 Connections | 9 | | |
| 6.3 Initial configuration..... | 10 | | |
| 7 DESCRIPTION OF STOVE | 10 | | |
| 7.1 Control keyboard | 10 | | |
| 7.2 Using the control keyboard..... | 11 | | |
| 7.3 Operating parameters | 12 | | |
| 8 PRELIMINARY ACTIVITIES | 12 | | |
| 8.1 Filling with pellet..... | 12 | | |
| 8.2 Electrical power supply..... | 12 | | |
| 8.3 Preliminary settings..... | 12 | | |

1 INTRODUCTION

Jøtul heating equipment (hereinafter referred to as pellet stoves) are designed and installed in accordance with the safety regulations defined in the relevant European directives.

This instruction manual is intended for users, fitters and maintenance technicians of stoves. In the case of doubts concerning the content of this instruction manual and to obtain explanations, contact the manufacturer or authorised seller, specifying the number of the section to which the question pertains.

Printing, translation and duplication of this document, in part or entirety, requires written consent from the JØTUL company.

Technical information, graphical representations and detailed drawings given in this instruction manual may not be made available to third parties.

If a fitter has not fully understood the contents of this instruction manual, they should not service the stove. In the case of doubts, ask a technician authorised by JØTUL for assistance in every instance.

JØTUL reserves the right to introduce technical and/or functional changes to the stove at any time without advance notice.

1.1 SYMBOLS

In this instruction manual, the most important guidelines, instructions or recommendations are marked with one of the following symbols:



Guidelines concerning proper use of the stove and responsibilities of persons performing activities on the stove.



Guidelines concerning safe use and operation.

1.2 USE



The JØTUL stove is intended for heating of the interior of a house. It is technologically advanced and fired with wood pellet in automatic work mode. Combustion is activated only when the stove's door is closed. It is strictly prohibited to open the door while the stove is working.



The only method of use and configuration of the stove permitted by the manufacturer is use in compliance with the purpose and configurations given below. The heating equipment may not be used in a manner that is non-compliant with the given instructions.

1.3 PURPOSE AND CONTENT OF THE INSTRUCTION MANUAL

The purpose of this instruction manual is to provide the fitter with information and basic rules for proper installation and maintenance. Precise adherence to the instructions provided in this manual guarantees a high level of safety and durability of the stove.

1.4 STORAGE OF THE INSTRUCTION MANUAL

STORAGE AND BROWSING

The instruction manual must be stored with due diligence and must be available for consultation by the user and by specialists concerned with installation and maintenance.

The installation instruction manual is an integral part of the stove.

DESTRUCTION OR LOSS

If necessary: request a new copy from your JØTUL salesperson.

RESALE OF STOVE

In the case of resale of the stove, the user is obliged to transfer the instruction manual to the new user.

1.5 UPDATE OF INSTRUCTION MANUAL

This instruction manual is consistent with the technical knowledge available at the time of introduction of the stove for marketing.

Stoves sold with all indispensable technical documentation cannot be recognised by JØTUL as non-compliant with requirements in relation to potential modifications or the application of new technologies in equipment introduced onto the market at a later time.

1.6 GENERAL INFORMATION

INFORMATION

During exchange of information with the stove's manufacturer, provide the serial number and identification data in the appropriate data sheet.

LIABILITY

Delivery of this instruction manual releases JØTUL from any civil or penal liability in the event of damage or injury arising as a result of failure to adhere, even partially, to the guidelines and instructions given in this document.

JØTUL also bears no liability in the case of inappropriate or improper use of the equipment, in the case of unauthorised modification and/or repair, as well as in the case of use of spare parts that are no original or not suitable for the stove model being the subject of this instruction manual.

EXTRAORDINARY MAINTENANCE

Maintenance activities must be performed by qualified personnel with knowledge on how to perform works on the stove model to which this instruction manual pertains.

OBLIGATIONS RELATED TO INSTALLATION WORKS

JØTUL is not liable for any works related to stove installation.

- Only the fitter is responsible for checking whether there is an inlet for combustion air and for checking its cross-section in accordance with applicable standards, as well as for compliance of proposed solutions concerning stove installation.
- The stove and its installation must also fulfil all safety standards defined by detailed regulations binding in the country where the stove is installed.
- The fitter must have the qualifications required by the European Union directive on renewable energy sources.

USE

Similarly to the requirements given in this instruction manual, use of the equipment must be compliant with all safety standards defined by detailed regulations applicable in the country where the equipment is installed..

1.7 MAIN REFERENCE SAFETY STANDARDS THAT MUST BE ADHERED TO

The appliances covered by this manual comply with the legislative provisions of the following European directives:

2014/30/EU: Electromagnetic Compatibility Directive

2014/35/EU: Low Voltage Directive

2017/2102/EU: RoHS Directive

2009/125/EC: Eco-Design Requirements for Energy-Related Products Directive

2014/53/EU: RED (Radio Equipment Directive)

REGULATION (EU) N. 305/2011 (CPR)

REGULATION (EU) 2015/1185 (ECODESIGN)

The following harmonised standards and/or regulations have been applied:

EMCD:

- EN 55014-1:2017

- EN 61000-3-2:2015

ENGLISH

- EN 61000-3-3:2014 /EC:2016
- EN 55014-2:2015

EMF:

- EN 62233:2008 / EC:2008

LVD:

- EN 60335-1:2013 /EC:2014 /A11:2015 /A13:2017

- EN 60335-2-102:2007 /A1:2011

CPR:

- EN 14785:2006

1.8 STATUTORY GUARANTEE

For a user to be able to take advantage of the legal guarantee as per Directive 1999/44/EC, they must scrupulously abide by the guidelines given in this instruction manual, and must, in particular:

- Always work according to the instruction manual.
- Make sure that the necessary maintenance work is always performed according to the installation, operation and maintenance manual provided by the manufacturer.
- The stove should be operated only by persons having the required knowledge about stove operation, according to the instruction manual provided.

Failure to adhere to guidelines concerning the requirements given in this instruction manual immediately voids the guarantee.

1.9 LIMITATIONS OF THE MANUFACTURER'S LIABILITY



The manufacturer is released from any civil or penal liability, directly or indirectly, in the following cases:

- The installation is non-compliant with this instruction manual as well as with standards and regulations applicable in the country where the stove is installed.
- No maintenance by the user or a fitter.
- Failure to adhere to the instructions given in this manual.
- Installation performed by persons not licensed for installation with the Jøtul certificate.
- Use inconsistent with safety guidelines.
- Modifications or repairs carried out without the manufacturer's consent.
- Use of spare parts that are not original for the given stove model.
- Unforeseen events.

1.10 CHARACTERISTICS OF THE USER



The user of the stove must be a responsible adult, having the technical knowledge indispensable for performance of routine maintenance activities with regard to mechanical and electrical components of the equipment



The user must ensure that no children are present near the stove while it is working.

1.11 TECHNICAL ASSISTANCE

The JØTUL technical service will provide assistance in solving any problems related to use and maintenance throughout the stove's entire life cycle.

JØTUL remains at the user's full disposal and can provide the address of the nearest authorised dealer.

1.12 SPARE PARTS

Only original spare parts may be used.

Parts replacement cannot be postponed until components undergo total wear.

Replacement of a part prior to its total wear helps to prevent sudden failures that may cause property damage or physical injury.

The maintenance checks listed in the "Maintenance" section must be conducted at regular intervals of time.

1.13 RATING PLATE

The rating plate is situated on the rear of the stove and contains all product data, including the manufacturer's reference number, registration number and markings

1.14 DELIVERY OF THE STOVE

The stove is delivered in a cardboard box and fixed on a wooden pallet enabling its transport by means of a forklift and/or other means.

The following components are found inside the stove:

- installation, operation and maintenance manual;
- remote control pilot (only for models with a remote control pilot);
- tool for opening the ash pan (only for models requiring such a tool).

2 SAFETY GUIDELINES

2.1 WARNINGS FOR THE INSTALLER

Observe the prescriptions contained in this manual.



The instructions for assembly and disassembly of the appliance are reserved for specialist technicians only.

The installation, use and maintenance of the product must be in accordance with the manufacturer's instructions and in compliance with the regulations. Failure to comply with the instructions and any incorrect operations may give rise to hazardous situations, damage to property, animals, health problems or malfunctioning.

Installation, electrical connection, operational testing and maintenance must be carried out exclusively by authorised and qualified personnel.

The installation and maintenance of the product must be carried out exclusively by qualified personnel with suitable knowledge of the product itself. Use only original spare parts recommended by the manufacturer.

Responsibility for the works carried out in the location of the appliance is, and remains, with the user; the latter is also responsible for carrying out the checks relating to the proposed installation solutions.

The installer must comply with all local, national and European safety regulations.

The appliance must be installed on floors with adequate load bearing capacity.



Check that the chimney flue and air inlet set-ups conform to the type of installation.

Do not carry out on-the-fly electrical connections with temporary or uninsulated cables.

Check that the earthing of the electrical system is efficient.

Before starting the assembly or disassembly phases of the appliance, the installer must observe the safety precautions required by law and the following indications in particular:

- do not operate in adverse conditions;
- they must operate in perfect psychophysical conditions and must check that the personal protective equipment is intact and functioning perfectly;
- they must wear gloves and safety shoes;
- they must use tools with electrical insulation;
- they must make sure that the area used during assembly/dismantling is free from obstacles.

The product must only be installed in rooms that are not at risk of fire and equipped with all the necessary services including air and electrical supplies and flue gas exhausts.

Evaluate the static conditions of the surface bearing the weight of the product and provide suitable insulation if it is composed of flammable materials (e.g. wood, carpet, plastic). Live electrical parts: power the product only once it has been completely assembled.

2.2 WARNINGS FOR TECHNICAL MAINTENANCE PERSONNEL

Maintenance operations must be carried out only by authorised and qualified personnel.

Observe the prescriptions contained in this manual.

Always use personal protective equipment and other means of protection.

Before starting any maintenance work ensure that the appliance, if it has been used, has cooled down.

Even if only one of the safety devices is not working, the appliance is to be considered not working.

Disconnect the appliance from the electrical mains before performing any type of maintenance works.

Disconnect the appliance from the electrical mains before working on electrical and electronic parts, connectors and moving parts (pellet loading systems, automatic burn pot cleaning systems, etc.).

2.3 WARNINGS FOR USERS

To ensure correct use of the product and electronic appliances connected thereto and to prevent accidents, it is important to always follow the instructions provided in this manual.

The outer surface of the appliance presents several particularly hot parts (door, handle, glass, flue gas pipes, etc.).

Contact with these parts must therefore be avoided unless wearing suitable protective clothing or equipment, such as heat resistant gloves or in the presence of "cold handle" operating systems.

For this reason, maximum caution is recommended during operation and in particular:



Do not touch and do not get close to the glass of the fire box door, it could cause burns, do not look at the flame for a long time.



Do not hang laundry directly over the appliance for drying; fire hazard.

- do not touch the smoke outlet;
- do not perform any type of cleaning;
- do not offload the ashes;
- do not open the fire box door;
- do not open the ash drawer (where provided).

The appliance can not be used by children under the age of 8 and by people with reduced physical, sensory or mental abilities, or without experience or the necessary knowledge, unless they are under supervision or after they have received instructions relating to the safe use of the appliance and to understanding the inherent dangers. Children must not play with the appliance. Cleaning for which the user is responsible must not be carried out by unsupervised children.

Before performing any type of operation, the user or whoever is operating the product must have read and fully understood the contents of this installation and use manual. Errors or bad settings may cause hazardous conditions and/or irregular operation.

Unskilled users must be protected from access to any part that could expose them to danger. Therefore, they must not be allowed to intervene on internal parts at risk (electrical or mechanical), even if the disconnection of the power supply is required.

Respect the instructions and warnings highlighted on the sign plates displayed on the appliance.

The sign plates are accident prevention devices, therefore they must always be perfectly legible. If these are damaged and unreadable, it is mandatory to replace them, requesting the original spare parts from the

Manufacturer.

Follow the routine and extraordinary maintenance schedule carefully.

Do not use the appliance without having first carried out daily cleaning.

Do not use the appliance if operation is abnormal, you suspect a breakage or if there are unusual noises.

In case of failure or malfunction, turn the appliance off and immediately contact your specialised technician.

Do not throw water on the appliance in operation or to extinguish the fire in the burn pot.

Do not switch the appliance off by disconnecting the mains electrical connection.

Do not lean on open doors, this could compromise the stability of the appliance.

Do not use the appliance as an anchor support of any kind.

It is prohibited to use the product as a ladder or support structure.

Do not clean the appliance until the structure and ashes have completely cooled.

Only touch the door when the appliance is cold.

In case of flue gas leaks in the room or explosions detrimental to the device, turn it off, ventilate the room and immediately contact your installer/service technician.

In case of fire in the chimney flue, turn the appliance off, disconnect it from the power supply and do not open the door. Then call the competent authorities.

In case of failure of the ignition system, do not ignite the appliance with flammable materials.

In electrically powered devices, if unburned gas/fumes accumulate inside the fire box, do not disconnect the electrical power supply and move as far away from the appliance as possible. In case of malfunction of the appliance due to a poor flue draught, clean the flue in accordance with the procedure described in section "Maintenance".

Do not touch the painted parts during operation to avoid damage to the paintwork.

All responsibility for improper use of the product is fully borne by the user, who relieves the manufacturer of any civil and criminal liability.



It is prohibited to operate the appliance with the door open.

It is prohibited to use the appliance if the door glass or gaskets are damaged.

Any type of unauthorised handling or replacement with non-original spare parts shall place the safety of the operator at risk and relieve the manufacturer of any civil and criminal liability.



It is prohibited to manually load pellets into the burn pot; this type of incorrect behaviour may generate an abnormal amount of unburned gas, giving rise to the risk of explosion inside the chamber.

Unburned pellet deposits in the burn pot after a failed ignition must be removed before making a new ignition attempt.

If the burn pot is not cleaned and regularly serviced, malfunctions and explosions may occur inside the appliance. Be sure to remove all traces of material and deposits from the holes of the burn pot and to clean them each time the ash is emptied or after each failed ignition attempt. Make sure the burn pot holes don't decrease in size as this may have a negative effect on the safe operation of the appliance.

Do not wash the product with water. Water may infiltrate

ENGLISH

the unit and damage the electrical insulation, causing electric shocks.

Do not sit/stand in front of the product in operation for long periods.

Incorrect use of the product or incorrect maintenance works may create a serious risk of explosion in the combustion chamber.

Only use the fuel recommended by the manufacturer. The product must never be used as an incinerator.

It is prohibited to use benzene, lamp fuel, kerosene, liquid firelighter for wood, ethyl alcohol or similar liquids to light or rekindle a flame in this appliance.

Keep these liquids at a due distance from the appliance during operation.

It is prohibited to insert other types of fuels in the tank other than wood pellets.

Some tips to avoid corrosion phenomena:

- carry out routine cleaning operations to avoid the build-up of ash deposits;
- feed the appliance only with fuel having the characteristics described in the section "Fuel characteristics";
- do not use solvents, acids, aggressive detergents or products to directly clean the glass or other components of the product;
- avoid leaving the product in unfavourable ambient conditions (humidity, airborne salinity, storms, etc.);
- if the appliance is not used for long periods (e.g. during the summer), disconnect the combustion air inlet pipe and place desiccant bags in the combustion chamber to absorb the humidity in the air, making sure to remove them when the product is re-ignited.

3 FUEL PROPERTIES

3.1 FUEL PROPERTIES

- Pellet, or wood granulate (fig. 3.1), consists of various species of wood pressed in a mechanical process in accordance with environmental protection standards. This is the only fuel permitted for stoves of this type.
- The thermal efficiency and power of the stove may vary depending on the quality of the wood pellet used.
- To work properly, a pellet-fired stove requires pellet with the following properties:
 - size \varnothing 6 mm
 - max. length 30 mm
 - max. moisture: from 8% to 10% moisture content.

The stove is equipped with a pellet container with the capacity indicated in the technical documentation.

The cover of the stove's loading container is found at the top.

During loading of pellet, the cover must always be open.



For safety reasons and in order to ensure temperature control, do not use traditional wood in the form of logs.



The stove is not an incinerator, and nothing besides wood pellet may be burned in it.

3.2 PELLET STORAGE



Wood pellet must be stored in a dry place that is not too cold.

We recommend storing several bags of pellet in the room where the stove is located or in an adjoining room, in order to ensure the proper temperature and moisture content.

Wet and/or cold (5°C) granulate reduces the pellet's thermal power, and it is necessary to clean the grate more frequently (unburnt fuel).

Special attention must be paid to the storage and transport of bags of granulate, in order to prevent crushing and

formation of dust.

This may lead to the introduction of sawdust into the stove's container, which may cause jamming or blocking of the feed worm and damage to the worm's drive motor.

The properties of granulate must be compliant with the requirements of standard UNI EN 14961-2.



fig. 3.1

4 TRANSPORT AND RELOADING

The stove is delivered with all indispensable parts.

Caution must be taken, as the stove has a tendency to lose balance. Its centre of gravity is shifted towards the front.

Take the above recommendations into account when moving the stove on a transport pallet.

Avoid jerking and sudden movements when moving the stove.

Make sure that the forklift has a lifting capacity greater than the weight of the stove being lifted.

The forklift operator is solely liable for lifting of loads.



Make sure that children do not play with packaging materials (e.g. plastic film and polystyrene). Choking hazard!

4.1 REMOVAL OF THE STOVE FROM THE TRANSPORT PALLET

To remove the stove from the transport pallet, proceed according to the guidelines given in this manual.

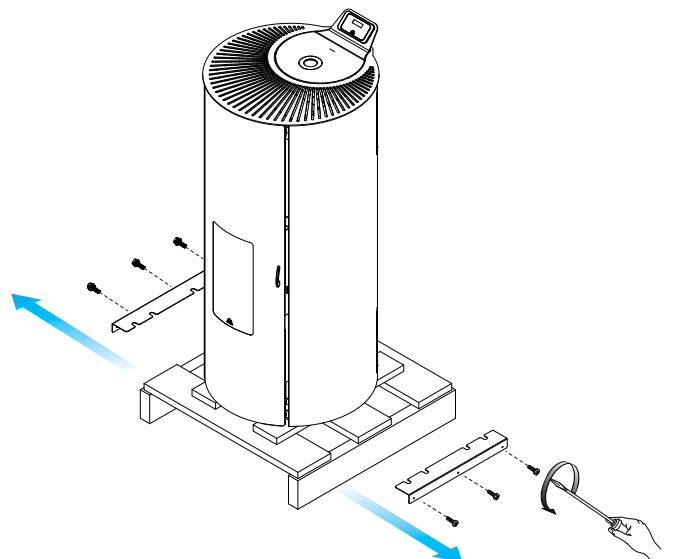


fig. 4.1

5 PREPARING THE INSTALLATION SITE

5.1 GENERAL CONSIDERATIONS

There are several factors that make combustion more efficient in terms of thermal performance and low emission of polluting substances (carbon monoxide CO-). Some factors depend on the appliance in which combustion takes place, while others depend on the environmental characteristics, the installation and the degree of maintenance carried out on the appliance.

Among the important factors are:

- combustion air,
- characteristics of the combustion products evacuation system (Connection),
- fuel quality (moisture and size).

In the following paragraphs there are guidelines to be observed for maximum performance of the purchased product.

Provide access to allow and cleaning of the appliance, the connection duct, and the smoke duct (or, if applicable, the coaxial smoke exhaust and air supply system).

5.2 LOCATION OF THE STOVE

Attached are the minimum distances in centimetres (fig. 5.1) to be observed when installing the stove in relation to partitions and flammable objects. In the case of non-flammable partitions / objects, these dimensions can be halved. Protect from heat radiation and the risk of fire all structures that could catch fire if exposed to too much heat. Wood or flammable floors must be protected by a large fire base under the stove. This base can be, for example, steel, slate, tempered glass, or stone, it must cover the surface of the floor under the stove and the flue pipe connection, and it must protrude in front of 50 cm. The manufacturer assumes no responsibility for any change in the characteristics of the material constituting the floor under the appliance. Any wooden elements (beams) or flammable material located near the stove must be protected with fireproof material.

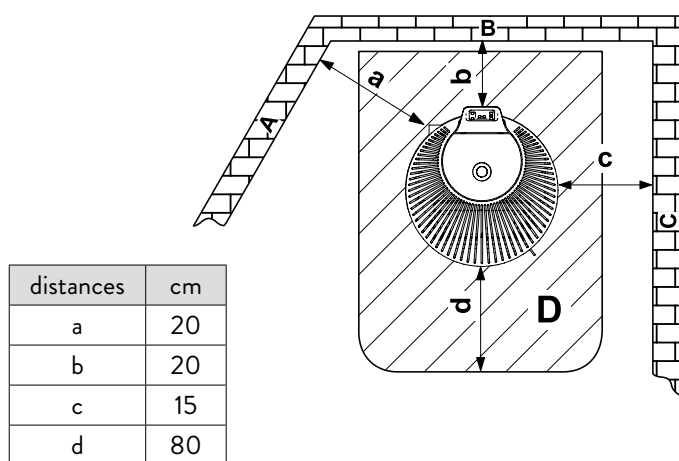


fig. 5.1

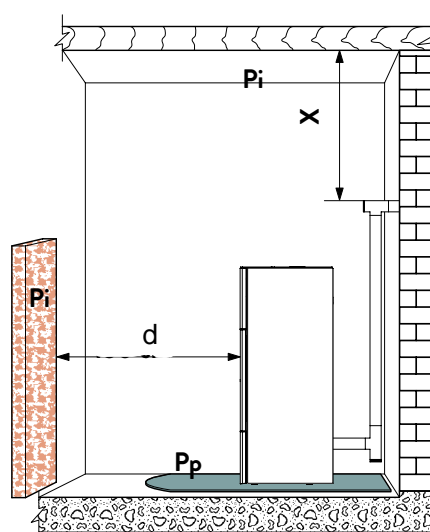


fig. 5.2



Provide technical space available for all maintenance.

Make sure to respect the minimum distances between all flammable materials and the stove as well as the pipes smoke evacuation. Please comply with DTU. Among other things the pipes must bear the marking CE. For wood fuel must be marked G xx (G indicates that the connection resists the chimney fire and xx is the minimum safety distance in millimetres) (fig. 5.2).

Pi = Flammable wall

Pp = Floor protection

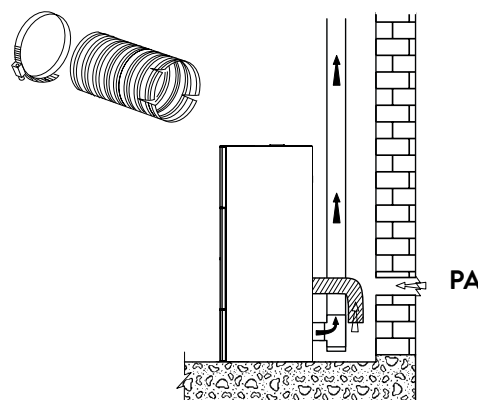


fig. 5.3

5.3 COMBUSTION AIR



The stove during operation takes a lot of air (even modest) in the environment where it is found, this air should be restored through an air intake outside the room (fig. 5.3 - PA = Air outlet).

If the rear wall of the stove is an exterior wall, drill a hole for the combustion air inlet to a guard at the soil about 20-30 cm. It is necessary to place outside a permanent ventilation grille. In windy areas and exposed, a protective hat must be provided. Make sure the air inlet is positioned so not to be accidentally blocked. (Stacking of

materials on the outside against the grid). If it is not possible to make an air duct direct in the wall, you can take the air in the underground on the condition of channelling this air from the outside so as not to not pollute the ambient air. You can also take air directly into the crawlspace if it is ventilated. The section of the crawl

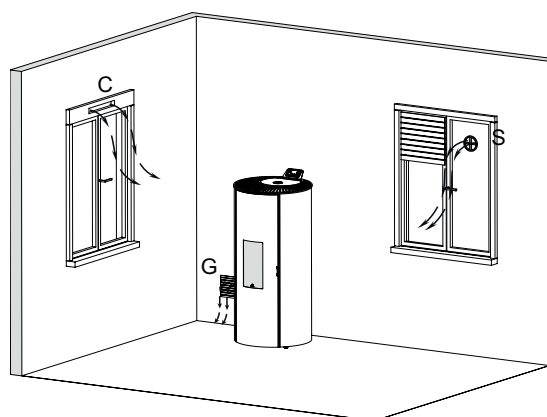


fig. 5.4

space grids must correspond to 5 times the area of the grids in cm^2 of the area in m^2 of the ground floor (Example: Ground floor of 100 m^2 gives 500 cm^2 of grid area. (fig. 5.4 G = grid, S = shutter) C cannot be considered as a air inlet if the dwelling is equipped with Ventilation Controlled Mechanics (VMC). DTU 24-1 and 24-2 must be respected as well as the decree of OCTOBER 22, 1969. The Sanitary Regulations Departmental Type (RSDT) in § 23-1 specifies the air entry conditions in the dwellings and indicates that the air inlets must not be obstructed by the user. If there are other heaters, it is necessary in each local combustion air intake to ensure volume of air necessary for the proper functioning of all the devices.

When in the room where the stove is present motorised air extraction (VMC) bad could be caused by a lack of air of combustion for the appliance. The decree of 02/23/2009 indicates a minimum section 50 cm^2 for a solid fuel appliance whose power does not exceed 25 KW. Decree No. 2008-1231 article R131-1 (monoxide of carbon) regulates air intake. You can channel the combustion air using a coaxial connection (exhaust pipe for smoke expulsion and another for aspiration air), so there is no need to have a classic air intake in the room. Decree No. 2008-1231 article R131-2 dispenses with the direct outside air intake since the device has its own air supply for appliances waterproof.

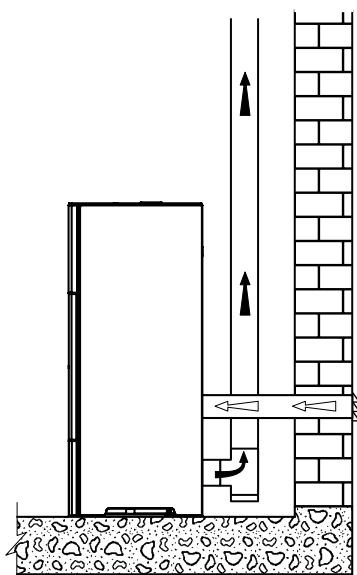


fig. 5.5

5.4 SMOKE EVACUATION

The stove works with the combustion chamber under negative pressure. It is essential to ensure that the tube connection is waterproof.



Make sure that the flue is constructed according to the regulation and that it is self-supporting in order to avoid that it leans on the stove.

After choosing a suitable place for installation and taking into account the rules listed in the paragraphs previous, define the location of the exhaust duct fumes. The connecting pipes can be used must include a marking CE which defines according to the tests of its manufacturer, possible use with solid fuel (reminder of DTU: Temperature given by the stove manufacturer in the CE label plus 50° safety.) or in the Notice CSTB technique concerning the installation of JØTUL stoves.

It is compulsory to have an insulated duct when this one is located outside the dwelling and its height must exceed the ridge by 40 cm in accordance with the decree of 1969. This duct must have nothing around in a radius 8 meters (Zone 1).

The stove connection must be as short as possible and must not exceed 2(two) 90° elbows (1(one) 90° elbow = 2(two) 45° elbows).



It is necessary to provide a pipe at the bottom of the first T at the smoke outlet, to allow the evacuation of the condensation water which can form in the duct (fig. 5.5.3).

Horizontal sections must be long maximum of 2-3 m with an ascending slope of 3-5%. The flue connection pipes must be at a regulatory distance from combustible walls or non-combustible according to the DTU, namely 3 times the diameter if the wall is made of combustible materials with a minimum of 375 m / m, and 1.5 times the diameter if the wall is non-combustible with a minimum of 200 m / m. The connection must be visible along its entire route. The connection must not be made on a used conduit by other devices (boilers, stoves, fireplaces, etc.), or air extraction systems (hoods, vents, etc.). It is forbidden to install valves or moderators draw.

If you have a problem, contact support JØTUL technique. It is strictly forbidden to connect a non-waterproof with a terminal outlet in Zone 2 (crawling from the roof) or zone 3 (facade). These poses are reserved only for waterproof holders of a CSTB technical opinion as well as the connection.

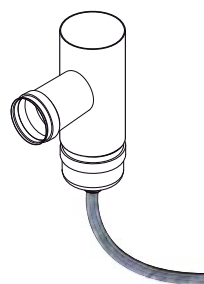


fig. 5.5.3

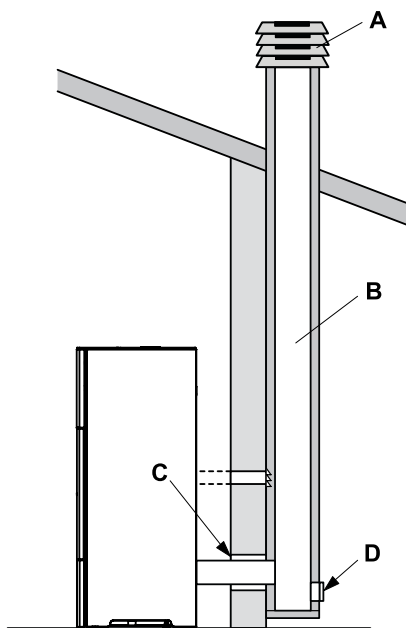


fig. 5.5.1

- A) Roof outlet protecting against wind
- B) Maximum cross-section from 15 x 15 cm or Ø 15 cm, and maximum height 4-5 m
- C) Finishing gasket
- D) Inspections

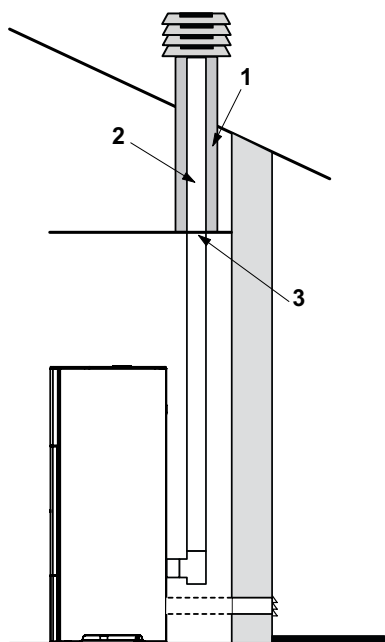


fig. 5.5.2

- 1) Permitted insulating material
- 2) Steel pipe
- 3) Closing pane

6 INSTALLATION

The fitter must have the Jøtul certificate, authorising installation of appliances fired with solid fuel.

6.1 LEVELLING OF STOVE

The stove must be positioned horizontally and vertically by means of a level gauge. Levelling can be adjusted by means of adjustable feet (fig. 6.1). Unscrew the feet until the mounted nuts are reached.

A B = Level gauge

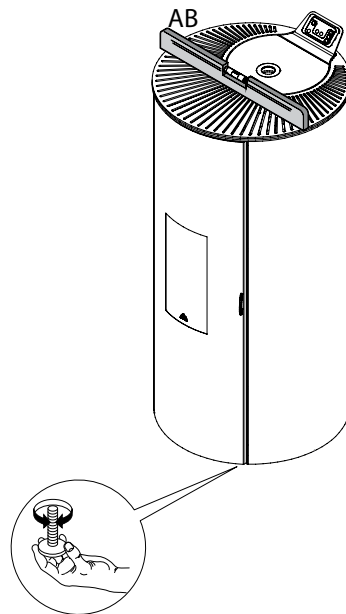


fig. 6.1

6.2 CONNECTIONS

6.2.1 Electrical connection

It is enough to connect the stove to the electrical grid by means of a plug.

The electrical connection (socket) must be easily accessible after installation of the stove and must remain visible.



If the power cord is damaged, it must be replaced by a qualified technician in order to avoid risk.

6.2.1.1 Grounding

The installation must strictly be equipped with grounding and a breaker switch in accordance with binding standards (fig. 6.2).

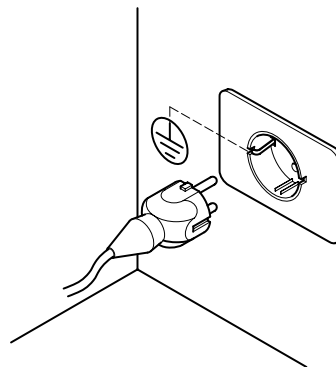


fig. 6.2



The metal chimney flue must have its own connection to ground.

6.2.2 Connection to an external chronothermostat

It is possible to connect an external chronothermostat, which extinguishes and ignites the stove depending on the programmed temperature.

After reaching the set temperature, the thermostat opens the circuit and shuts down the stove.

The external thermostat must be connected to two terminals found on the electronic card, which were previously connected at the factory. Disconnect both terminals and connect the two contacts of the thermostat to them.

It is important to set the stove to configuration 2, proceeding according to the instructions given in the "Initial configuration" section.



After installation of the chronothermostat, the first firing of the stove must be performed manually, when the chronothermostat is in "call" mode. Proceed in the same manner after power failure as well as after manual shutdown of the stove.



To prevent the thermostat's operation from interfering with the time intervals of the stove's work, it is recommended to deactivate (set to OFF) the stove's time breaker switch (see section 10.1).

6.3 INITIAL CONFIGURATION

Depending on the type of installation, the stove must be properly configured in order to optimise its operation.

For this purpose, the stove's power supply must be activated first by pressing the switch found on the rear.

- Using the arrow keys, select the Configuration menu and press ;
- Select the "7" item using button and confirm by pressing button ;
- Select submenu [30] using buttons ; "r-- -" will start to flash.
- Press button and input "54" using buttons ;
- Press button , to confirm.
- The current configuration is displayed.
- To change the configuration, press button , and input the number corresponding to the new configuration using buttons .
- Press button , to confirm.



After changing the configuration, an alarm message may appear for several seconds. It should be ignored, and the stove should be shut down by pressing the button found on the rear. Wait several seconds, then fire it up again.

TWO DIFFERENT CONFIGURATIONS CAN BE PROGRAMMED:

CONFIGURATION 1 (default)

This configuration is also suitable for firing up and extinguishing the stove manually or in a programmed manner. The stove modulates its power depending on the ambient temperature read by the sensor found in the stove.

The "Eco Mode" function can be activated so that the stove extinguishes itself after reaching a set temperature and fires up again after the temperature in the room drops.

In this configuration, it is also possible to select the anti-freeze function.

CONFIGURATION 2

Set this configuration when the stove is controlled by an external thermostat (or chronothermostat).

In this configuration, the stove will shut down after the external thermostat activates following reaching of the programmed temperature.

In this configuration, it is not possible to select the anti-freeze function

7 DESCRIPTION OF STOVE

7.1 CONTROL KEYBOARD

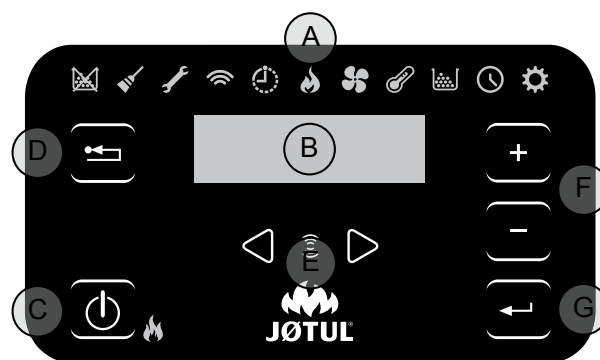


fig. 7.1

Layout of control keyboard:

- top part with status indicator LEDs and backlit icons identifying individual functions,
- LED display,
- ignition button
- "Cancel" button and "Alarm" display
- two arrow keys for navigation in different menus
- two buttons, and , for access to submenus and modification of working parameters,
- send button for confirmation of a parameter or selection.








Due to the fact that this is a touch keyboard, it is enough to press the buttons in order to activate them.


7.1.1 Status indicator LEDs

| ICON | MESSAGE | DESCRIPTION |
|------|--|---|
| | Pellet running out | This indicates that the pellet container must be filled. |
| | Maintenance | Signals that maintenance must be carried out. |
| | Support | Signals activation of an alarm. |
| | Radio device receiver | LED always on: the panel has paired with the radio device Flashing LED: In pairing state, pairing LED off: no device connected |
| | Time breaker switch engaged | Signals activation of the time breaker switch function. |
| | Status indicator LED (next to button) | LED is lit up: means that the stove is on. Flashing LED: indicates that stove firing is in progress or that the stove is in standby mode. LED is dark: means that the stove is off. |

7.1.2 Menu description

| ICON | FUNCTION | DESCRIPTION | VALUES |
|---|---------------------|--|--|
|  | Power | Setting working power. | 1-5 |
|  | Ventilation*: | Setting of air fan power in room | c : OFF,1,5 ; A ; Hi r* : OFF, 1... 5 l* : OFF, 1... 5 |
|  | Temperature | Displays the room temperature and allows for programming the desired temperature. | from 6°C to 51°C |
|  | Fuel | Displays the time of independent operation and enables zeroing of this time during pellet loading [FULL] or deactivation of the display [OFF]. | FULL – OFF |
|  | Time breaker switch | Activates and deactivates the time breaker switch. When the control clock is engaged, the icon is displayed constantly. | ON – OFF |



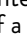

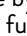
* Only for versions equipped with one or two hot air distribution fans


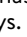
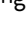

| ICON | FUNCTION | SUBMENU | DESCRIPTION | VALUES |
|---|--------------------------------------|--|---|--------------------------|
|  | Adjustment | [1] Weekly scheduler | Assignment of programs (max. 3) to different days of the week. | from [d1] to [d7] |
| | | [2] Programs | Configuration of programs. | from [P1] to [P6] |
| | | [3] Clock/date | Setting the date and time. | |
| | | [4] Hours remaining | Displays the number of hours remaining until the next recommended maintenance. The “Hi” value signifies a number greater than 999 hours. | |
| | | [5] System information | Displays the current software version. | |
| | | [6] Inactive function | | |
| | | [7] Eco function | Activates or deactivates Eco mode, which enables automatic firing and extinguishing depending on ambient temperature (only in configuration 1). | OFF; Eco |
| | | [8] Reignition delta | The difference in degrees relative to room temperature, below which the stove will reignite (only in configuration 1). | from 0,5°C to 5,0°C |
| | | [9] Anti-freeze protection temperature | The minimum temperature below which the stove is fired up (only in configuration 1). | OFF; from 3°C to 20°C |
| | | [10] Keyboard lock | Configuration of button locking | OFF; Lo; Hi |
| | | [11] Screen brightness | Sets the brightness level of the screen. | OFF; from 1 to 5 |
| | | [12] Display mode | Configuration of data display. | OFF; from 1 to 4 |
| | | [13] Sound signaller volume | Setting of the sound signaller's volume. | OFF; from 1 to 5 |
| | | [14] Pellet type | 3 different pellet types can be set. | from 1 to 3 |
| | | [15] Inactive function | | |
| | | [30] Fitter's menu | Changes/displays stove configuration. | PWD: „54” |
| | | [31] Loading pellets** | Manual activation of the pellet loading system | PWD: “54” |
| [36] Pairing | Ambient temperature | ON; OFF; t | | |
| [37] Pairing* | Right fan - R | ON; OFF; t | | |
| [38] Pairing* | Left fan - L | ON; OFF; t | | |
| [40] Service menu | Menu intended for technical service. | | | |

Submenu [30] and [40] and the Configuration menu are password protected and intended solely for the technical service.

* Only for versions equipped with one or two hot air distribution fans ** If available

7.2 USING THE CONTROL KEYBOARD

- Touching the arrow keys   scrolls through different menus, which are highlighted one by one.
- To change the settings of a given function, it is enough to press the  button when the function is displayed and change the value using the   keys.

- Press the  key again to confirm the change.
- In general, all flashing parameters can be changed using the   keys.
- The “Cancel” button  makes it possible to cancel a change; pressing it for a long time displays the code of the alarm that may have been activated.

ENGLISH

7.3 OPERATING PARAMETERS

The stove's operation depends on user-defined parameters of Power, Ventilation and Temperature.

7.3.1 Power change

Power corresponds to the amount of heat generated by the stove and hence has a direct influence on fuel consumption.

To change the power:

- Using the arrow keys select the Power menu and press .
- The power parameter will start to flash; change it by means of the keys (1 is the minimum, 5 is the maximum).
- Press button , to confirm the setting.

7.3.2 Ventilation change

To change the ventilation value:

- Use the keys on the ventilation menu and press the key;
- Use the keys to move between the central fan [c], the right fan [r]* and the left fan [l]*;
- Press the key to select the desired fan;
- By selecting the central fan [c]; modify its value with the keys:
 - "OFF" = completely excludes ventilation and the stove will only operate with natural convection;
 - "1" minimum, ..., "5" maximum;
 - "A" = automatic operation (the stove will set the speed according to the room temperature);
 - "Hi" = ultra-fast operation (to be used only if there is a need to quickly heat an environment);
- Press the key to confirm the data entered.

If the right [r]* or left [l]* rear fans are selected, it is possible to set the OFF and speed values "1" minimum, ..., "5" maximum. In the event that the central fan has been set to OFF and at least one of the two rear fans is active, the central fan will automatically set to the minimum value.

* Only for versions equipped with one or two hot air distribution fans

7.3.3 Change of ambient temperature

A change of this parameter defines the desired room temperature, which will be read directly by the sensor installed on the stove.

To change the desired temperature value:

- Using keys , select the Temperature menu and press .
- The current value will start to flash, and it can be changed using the keys.
- Press the key to confirm the adjustment.

8 PRELIMINARY ACTIVITIES

8.1 FILLING WITH PELLET

The first activity to be performed before firing up the stove is to fill the pellet container.

Pellet should be put in the container using a small shovel. Do not empty the bag directly into the container in order to avoid dumping of sawdust or foreign bodies that may disrupt the stove's normal operation, and do not spill pellet outside of the container.



After loading pellet, it is necessary to close the container's cover.

In the case where the "autonomy" function is enabled, select the fuel icon by means of the arrow keys and , then press the "send" button . Next, using keys select the "FULL" option and press the "send" button .

To disable the autonomy function, select "OFF" instead of "FULL".

8.2 ELECTRICAL POWER SUPPLY

Connect the stove to the electrical grid by setting the ignition switch in the rear part of the stove to "1" (fig. 8.2). Switch-on of power is signalled by a series of interrupted sound signals and lighting up of the screen.

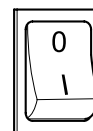


fig. 8.2



In the case where a long period of idleness is planned, it is recommended to set the switch at the back of the stove to the OFF position (O).



When connecting the stove to an electrical socket, remember not to touch the control panel.

8.3 PRELIMINARY SETTINGS

Before using the stove, the current language, date and time must be set.

8.3.1 Setting the date and time

To change the date:

- Using the arrow keys select the Configuration menu and press .
- Select the "7" item using button and confirm by pressing button .
- Using button , select submenu [3] and confirm using the button.
- The time parameter will start flashing, change it using the keys, then press button .
- The minutes parameter will start flashing, change it using the keys, then press button .
- The day parameter will start flashing, change it using the keys, then press button .
- The month parameter will start flashing, change it using the keys, then press button .
- The year parameter will start flashing, change it using the keys, then press button .
- The current day of the week parameter (Monday = 1, etc., Sunday = 7) will start flashing, change it using the keys.
- Press button , to confirm the setting.

8.3.2 Setting screen brightness

Screen brightness can be adjusted when the screen is in standby mode.

- Using keys , select the Configuration menu and press .
- Select the "7" item using button and confirm by pressing button .
- Using button , select submenu [!!!] and confirm using the button .
- Set the desired brightness (OFF, from 1 to 5) using buttons and , then confirm using button .

8.3.3 Display settings

The objects that are displayed when the screen is in standby mode can be configured.

Using the arrow keys (◀ ▶), select the settings menu (⚙️);

- Using keys (◀ ▶), select the Configuration menu (⚙️) and press (↵).
- Select the "7" item using (➕) button and confirm by pressing button (↵).
- Using button (➕), select submenu [12] and confirm using the (↵) button.
- Set one of the following parameters using buttons (➕) and (➖):
 - „OFF” • The last visualisation performed by the client will be displayed on the screen.
 - „1” • All parameters can be displayed periodically.
 - „2” • Temperature can be displayed (read by the ambient temperature sensor).
 - „3” • The current time can be displayed.
 - „4” • The number of hours of autonomous work before reloading of the pellet container can be displayed, if the "refilling" function was confirmed.
- Press button (↵), to confirm the setting.

8.3.4 Setting of the sound signallers volume

The sound signallers volume can be set as desired.

- Using keys (◀ ▶), select the Configuration menu (⚙️) and press (↵).
- Select the "7" item using button (➕) and confirm by pressing button (↵).
- Using button (➕), select submenu [13] and confirm using the (↵) button.
- Set the desired volume (OFF, 00 1 00 5) using buttons (➕) and (➖), then confirm using button (↵).

8.3.5 Setting pellet type

The type of pellet used can be set.

- Using keys (◀ ▶), select the Configuration menu (⚙️) and press (↵).
- Select the "7" item using button (➕) and confirm by pressing button (↵).
- Using button (➕), select submenu [14] and confirm using the (↵) button.
- Set one of the following parameters using buttons (➕) and (➖):
 - „1” • Standard
 - „2” • Medium pellet
 - „3” • Coarse pellet
- Press button (↵), to confirm the setting.

9 USING THE STOVE

9.1 FIRING

To fire up the stove, press the (⏻) button for several seconds.

The flame icon will start flashing during the activation phase, then it will be lit up constantly, indicating that the stove has been fired up.



Automatic firing: the stove is equipped with an automatic device that allows for ignition of pellet without the need to use traditional lighter blocks or fluids.

Do not fire up the stove manually if the automatic ignition device is damaged.

Upon first firing of the stove, unpleasant odours may be emitted, as a result of evaporation or drying of certain structural materials. These odours will disappear over time.

It is recommended to ventilate rooms well during first firings.

Do not leave the furnace door open in order to avoid a situation in which the closing sensor detects the open door and activates an acoustic alarm.

9.2 MODIFICATION OF PARAMETERS

It is possible to change the stove's operating parameters, as described in section 7.3.



Settings remain unchanged until they are changed, even after extinguishing or disconnection of the stove from the power supply.

9.3 EXTINGUISHING

To extinguish the stove, press the (⏻) button for several seconds; the flame icon will go dark.



To reignite the stove, it is recommended to wait until it cools completely.



It is recommended to extinguish the stove according to the above guidelines, and it must never be shut down by disconnecting electrical power supply.

9.4 WORK WITH ROOM THERMOSTAT

If the stove is controlled by means of an external thermostat (or chronothermostat), the fitter must program configuration 2. In this configuration, the stove will shut down when the external thermostat trips (open circuit).

The stove will automatically reignite when the temperature falls below the value set on the external thermostat (closed circuit).



At first firing or after extinguishing of the stove by means of the control panel (⏻ button), it must be reignited using the control keyboard.


The stove will also shut down if the temperature continues to rise despite modulation. In this case, the stove will only start when the difference between the selected and actual temperature value will be greater than 20°C.

9.5 WORK WITH AMBIENT TEMPERATURE SENSOR INSTALLED ON THE STOVE

The stove can be fired/extinguished manually or in the way that is programmed.

The stove modulates its power depending on the ambient temperature read by the sensor found on the stove (the stove maintains the set temperature at minimal fuel consumption).

If the "Eco mode" function is active, instead of modulating its power, the stove will shut down after reaching the set temperature and then reignite after the room temperature drops below the set delta (see section 10.3).

The desired room temperature can be set in the temperature menu .

9.6 DRAUGHT CONDITIONS

Work in continuous mode with minimal draught, particularly during thawing periods (unfavourable draught), fosters deposition of soot and tar:

- alternate periods with minimum draught with periods of maximum draught.

10 AVAILABLE FUNCTIONS

10.1 "TIMER" FUNCTION

This function allows for programming and assigning personalised programs to different days of the week for the purpose of automatic firing and/or extinguishing of the stove.











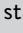
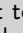

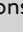
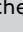





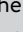

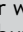
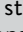
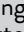

Up to six personalised programs can be set.

The time of firing and extinguishing, as well as the desired temperature, can be set in every program.

It is possible to assign up to 3 programs to every day of the week.

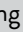



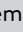



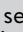

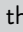



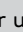
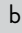
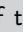
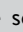

Days of the week are designated by numbers from 1 to 7: Monday = "d1", Tuesday = "d2", etc., Sunday = "d7".

10.1.1 Configuration of programs








- Using keys  , select the Configuration menu  and press .
- Select the "7" item using button  and confirm by pressing button .
- Select submenu [2] confirm by pressing button .
- Using buttons  , scroll through programs P 1-PE. Using button , select the program to be modified.
- The ignition time parameter will start to flash. Change the parameter using the   buttons, then press button .
- The minutes parameter will start to flash. Change the parameter using the   buttons, then press button .
- The extinguishing time parameter will start to flash. Change the parameter using the   buttons, then press button .
- The minutes parameter will start to flash. Change the parameter using the   buttons, then press button .
- The desired temperature parameter will start to flash. Change the parameter using the   buttons, then press button .
- Press button , to confirm the setting.


10.1.2 Assigning programs to days of the week

This function makes it possible to assign up to 3 different programs to a given day.

- Using keys  , select the Configuration menu  and press .
- Select the "7" item using button  and confirm by pressing button .
- Select submenu [1] confirm by pressing button .
- Using buttons  , select the day [0 1]-[0 7] to which programs are to be assigned.
- Select the program using button .
- The parameter of the first program to be assigned will start to flash: P 1-PE or „OFF" to deactivate it.
- Change the parameter using the   buttons, then press button .
- The parameter of the second program to be assigned will start to flash: P 1-PE or "OFF" to deactivate it.
- Change the parameter using the   buttons, then press button .
- The parameter of the third program to be assigned will start to flash: P 1-PE or "OFF" to deactivate it.
- Change the parameter using the   buttons, then press button .

10.1.3 Timer activation/deactivation

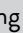
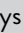


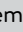


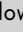
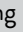
- Using the arrow keys  , select the Timer menu .
- Confirm using button .
- Use buttons   to scroll and select: "ON" to activate the timer, or "OFF" to deactivate it.
- Press the  key to confirm the selection.


When the control clock is engaged, the  icon is displayed constantly.

10.2 ECONOMIC FUNCTION "ECO MODE"

This function shuts down the stove after the programmed ambient temperature is reached. If this function is not active, the stove will modulate its operation in order to maintain the set temperature at minimum fuel consumption. The "Eco Mode" function is only available in configuration 1.

To activate/deactivate this function:

- Using keys  , select the Configuration menu  and press .
- Select the "7" item using button  and confirm by pressing button .
- Select submenu [7] confirm by pressing button .
- Set one of the following parameters using buttons  :

| | |
|-----|---|
| ECO | → Confirmation of the "Eco Mode" function |
| OFF | → Deactivation of the "Eco Mode" function |
- Press button , to confirm the setting.

10.3 “REIGNITION DELTA” FUNCTION

The reignition delta is the number of degrees below the extinguishing temperature, which, when exceeded, will cause the stove to reignite automatically. For example, if the stove is programmed to extinguish at 20°C (Eco mode on), and “Reignition delta” is set to 4°C, the stove will reignite after detecting a temperature of 16°C or lower.

To change the desired Reignition delta value:

- Using keys , select the Configuration menu and press .
- Select the “7” item using button and confirm by pressing button .
- Select submenu [] confirm by pressing button .
- The parameter will start to flash, change it using buttons and (from 0.5°C to 5.0°C).
- Press button , to confirm.

10.4 “AUTONOMY” FUNCTION

This function displays the hours of autonomous work remaining until it will be necessary to replenish pellet. Using the arrow keys, select icon , and the estimated number of hours of autonomous work until it will be necessary to replenish pellet will be displayed on the screen. The hours of autonomous operation remaining are calculated based on the parameters currently set on the stove.

Estimated values are sufficiently reliable under the condition that, upon every full replenishment of pellet, the “FULL” value will be selected and confirmed. The “Lo” value signifies reserve status.

10.5 “REPLENISHMENT” FUNCTION

This function makes it possible to register filling of the container with pellet.

In this way, based on operating parameters, the stove is capable of calculating the hours of autonomous operation remaining until it will be necessary to replenish the container.

After complete filling of the pellet container:

- Using the arrow keys , select the fuel icon , then press the send button .
- Using keys , select the “FULL” option and press the “send” button .

To disable this function, select “OFF” instead of “FULL”.

10.6 REIGNITION AFTER POWER FAILURE

After a break in power supply, the stove will automatically reignite and perform auto-diagnostics after power is restored.

10.7 “KEYBOARD LOCK” FUNCTION

This function makes it possible to lock the keyboard in order to prevent unintended changes.

To activate/deactivate this function:

- Using keys , select the Configuration menu and press .
- Select the “7” item using button and confirm by pressing button .
- Select submenu [] confirm by pressing button .
- Set one of the following parameters using buttons :
 - „OFF” Keyboard lock off
 - „LO” Only the ignition/extinguishing button is active
 - „HI” Keyboard lock on
- Press button , to confirm the setting.

10.8 MINIMUM TEMPERATURE





(Only in configuration 1)

It is possible to program the minimum temperature below which the stove will ignite (besides programmed time intervals). To change the “minimum” temperature parameter:

- Using keys , select the Configuration menu and press .
- Select the “7” item using button and confirm by pressing button .
- Select submenu [] confirm by pressing button .
- The parameter will start to flash, change it using buttons [OFF ; 3-20°C].
- Press button , to confirm the setting.

11 ALARM MANAGEMENT

Failure is signalled by means of the following procedure:

- 1) sound warning (beep),
- 2) lighting up of one of the following icons:   ,
- 3) in the case of an alarm, the stove will be extinguished,
- 4) holding the "cancel" button  displays the code of the alarm:

| CODE OF ALARM/ MESSAGE | DESCRIPTION | POTENTIAL CAUSES | LED |
|------------------------|---|---|---|
| E001 | Control keyboard damaged | Damage to control keyboard |  |
| E002 | Remote control signal not received | Damage to control keyboard |  |
| E004 | Connection interrupted | Cutting off or disconnection of cable connecting the card to the control keyboard. Ignore this alarm if it is displayed during change of configuration. |  |
| E101 | Ignition failed | No pellet Pellet quality Malfunction of ignition system Dirty brazier |  |
| E105 | Pellet sensor alarm | Pellet sensor damaged or disconnected |  |
| E108* | Security alarm | Sensor (s) connected to I01 (ref. Electrical diagram) Pellet hopper overheating problems Sensor plugged in open |  |
| E109 | Pressure alarm or circuit breaker tripping | Sensor (s) connected to I02 (ref. Electrical diagram) Dirty smoke evacuation system Worn seals Insufficient combustion air |  |
| E110 | Malfunction of temperature sensor | Damaged air sensor |  |
| E111 | Malfunction of smoke sensor | Damaged smoke temperature sensor |  |
| A001 | Insufficient pellet level (flashing icon) | Pellet running out |  |
| A002 | Warning concerning planned maintenance (flashing icons) | The stove requires regular maintenance, which must be performed by specialised personnel. |   |
| A004 | Low battery | The back-up battery (mod. CR2032) on the electronic board is low |  |
| A005 | Fume extractor hall sensor fault | Fume extractor speed sensor faulty or faulty wiring harness |  |
| A007 | Malfunction of pressure sensor (flashing icon) | Malfunction of pressure sensor or card |  |
| ---- | Cleaning the stove | Dirty combustion chamber, brazier or smoke extraction system. Pollution or disconnection of pressure reading cables. Pollution of inlet for combustion air. |  |
| ---- | Ignition failed | No pellet; igniter damaged; worn gasket; improper brazier positioning |  |

* Only in the case of models equipped with safety micro-switches in the door or on the container's cover.


After the message is checked, the alarm can be cleared by pressing the ignition/extinguishing button  for several seconds.



fig. 11.1

If code "E109" is displayed, manually restart the thermostat located on the rear of the stove, then clear the alarm (fig. 11.1) (this activity must be performed according to the guidelines of the authorised seller). The stove can be reignited..

12 MAINTENANCE

12.1 SAFETY MEASURES

Before performing any maintenance work, the following activities must be performed:

- Check whether all parts of the stove are cold.
- Check whether ash is fully extinguished.
- Wear personal protection equipment as per Directive 89/391/EEC.
- Check whether the master switch is in the off position.
- Check whether power can accidentally be restored, remove the plug from the electrical socket.
- Always use tools appropriate for maintenance work.
- After finishing maintenance activities, and prior to restarting the stove, all guards must be reinstalled and all safeguarding devices must be reactivated.



Use of an appropriate vacuum cleaner (industrial model) may facilitate cleaning of ash.

12.2 ORDINARY MAINTENANCE AT THE USER'S PLACE

12.2.1 Cleaning of the combustion chamber's interior

The stove requires simple but frequent cleaning in order to ensure its efficient operation and regular work.



This cleaning must be performed when the stove is shut down and cold.

Open the door of the furnace using the handle (fig. 12.1). Remove the ash deposited in the furnace.

The purpose of this cleaning is to ensure circulation of air for combustion through the GRATE's holes.

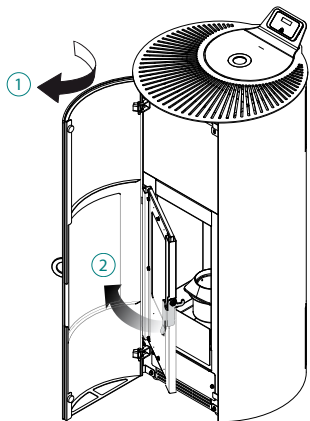


fig. 12.1

Raise and remove the brazier, and clean the surfaces and interior of the furnace (fig. 12.2).

Reinsert the brazier, making sure that it fits perfectly in its place.

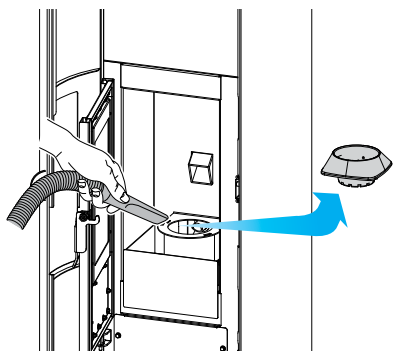


fig. 12.2

12.2.2 Cleaning of the ash pan

The ash pan should be cleaned every week or more frequently, if necessary.

To gain access to the ash pan, open the ash pan door and remove the ash pan (fig.12.3).

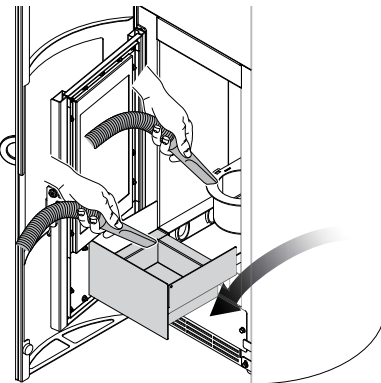


fig. 12.3

Empty the pan into a metal container suitable for collecting ash, and vacuum ash from the pan's space.

Put the ash pan back in place. Close the door.

12.2.3 Cleaning the smoke collector's housing

The smoke chamber should be cleaned every 3 months or as necessary.

Using a flexible brush, clean the 4 pipes of the exchanger found in the combustion chamber (marked by dots) (fig. 12.4).

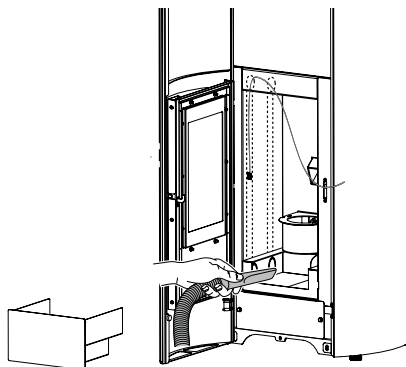


fig. 12.4

Any residue that falls into the smoke collector must be removed by a vacuum cleaner suitable for ash.

12.2.4 Cleaning the glass door

The stove is equipped with a unique glass door self-cleaning system, which reduces the frequency of maintenance.

Nevertheless, as time passes, and depending on working conditions and the type of granulates used, the glass door must be cleaned manually.

This activity is performed using a damp cloth or moist paper that has been immersed in ash (fig. 12.5).

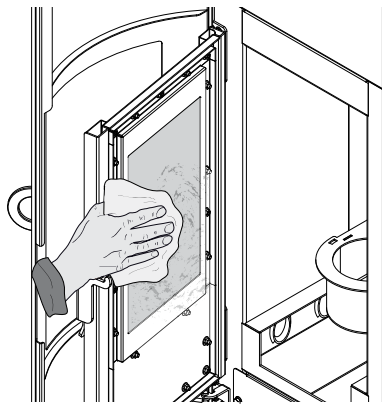


fig. 12.5

Wipe the pane until the glass is clean. Do not clean the glass door while the stove is working, and do not use abrasive sponges. Do not wet the door's gasket, as this will accelerate its wear.

12.2.5 Cleaning of chimney flues

The chimney flue should be cleaned at least twice a year – at the beginning and at half of the winter season – and as needed. In the case of horizontal ducts, they should be checked for ash and soot deposits, which must be removed before they clog the chimney flue.

Insufficient cleaning or neglect of cleaning causes problems with the stove's operation, such as:

- improper combustion,
- blackening of the glass pane,
- pollution of the brazier with ash and deposits from pellet,
- deposition of ash and soot on the exchanger, which leads to poor performance.

12.2.6 Cleaning the housing

Clean the stove's housing with a dry, non-abrasive cloth.



Do not use detergents, and do not perform cleaning when the stove is hot.

12.2.7 Cleaning the fan grate



A grate protecting the fan is fastened to the stove's base. Clean the grate at least once a year.


12.2.8 Electrical connection

If the power cord is damaged, it must be replaced by a qualified technician in order to avoid risk.

12.3 EXTRAORDINARY MAINTENANCE

The pellet stove is a heat generator fired with solid fuel, and as such, requires extraordinary annual maintenance, which should be performed by an authorised JØTUL seller once a year, preferably at the start of the heating season. The purpose of this maintenance is to check the correct operation of all parts.

If the   icons appear simultaneously on the control keyboard, the authorised seller must be contacted immediately for the purpose of carrying out extraordinary stove maintenance.

This warning may be temporarily cleared by pressing the  button, after which the stove can be reignited without problems.

This warning will be displayed until extraordinary maintenance is performed by an authorised seller and hours of work are cleared.

INSPECTION AND/OR MAINTENANCE SCHEDULE

| | UPON EVERY FIRING or more frequently, if necessary | EVERY WEEK or more frequently, if necessary | EVERY 3 MONTHS or more frequently, if necessary | EVERY YEAR or more frequently, if necessary |
|---------------------------------|---|--|--|--|
| Brazier | X | | | |
| Igniter guard | | X | | |
| Furnace and ash pan | | X | | |
| Glass pane | | X | | |
| Exchangers and smoke collectors | | | X | |
| Door and brazier gasket* | | | | X |
| Filters* | | | | X |
| Smoke extraction duct* | | | X | |
| Extraction and fan | | | | X |

(*) to be performed by authorised installer.



Extraordinary maintenance must be performed every 2000 hours of the stove's operation.

13 DISPOSAL AND SCRAPPING

The owner is solely responsible for disposal and scrapping of the stove, and they must act according to the safety and environmental protection regulations binding in their country.

Disposal and scrapping of the stove can be entrusted to third parties, under the condition that they are entities authorised to collect and process such waste.



ATTENTION: Always adhere to the regulations binding in the country where waste is processed, and in relevant cases, to the scrapping declaration.



ATTENTION: All activities related to disposal must be performed when the stove is shut down and disconnected from the electrical grid.

- Remove all electrical components.
- Sort the batteries provided in electronic cards.
- Use the services of specialised companies when disposing of the stove's body.



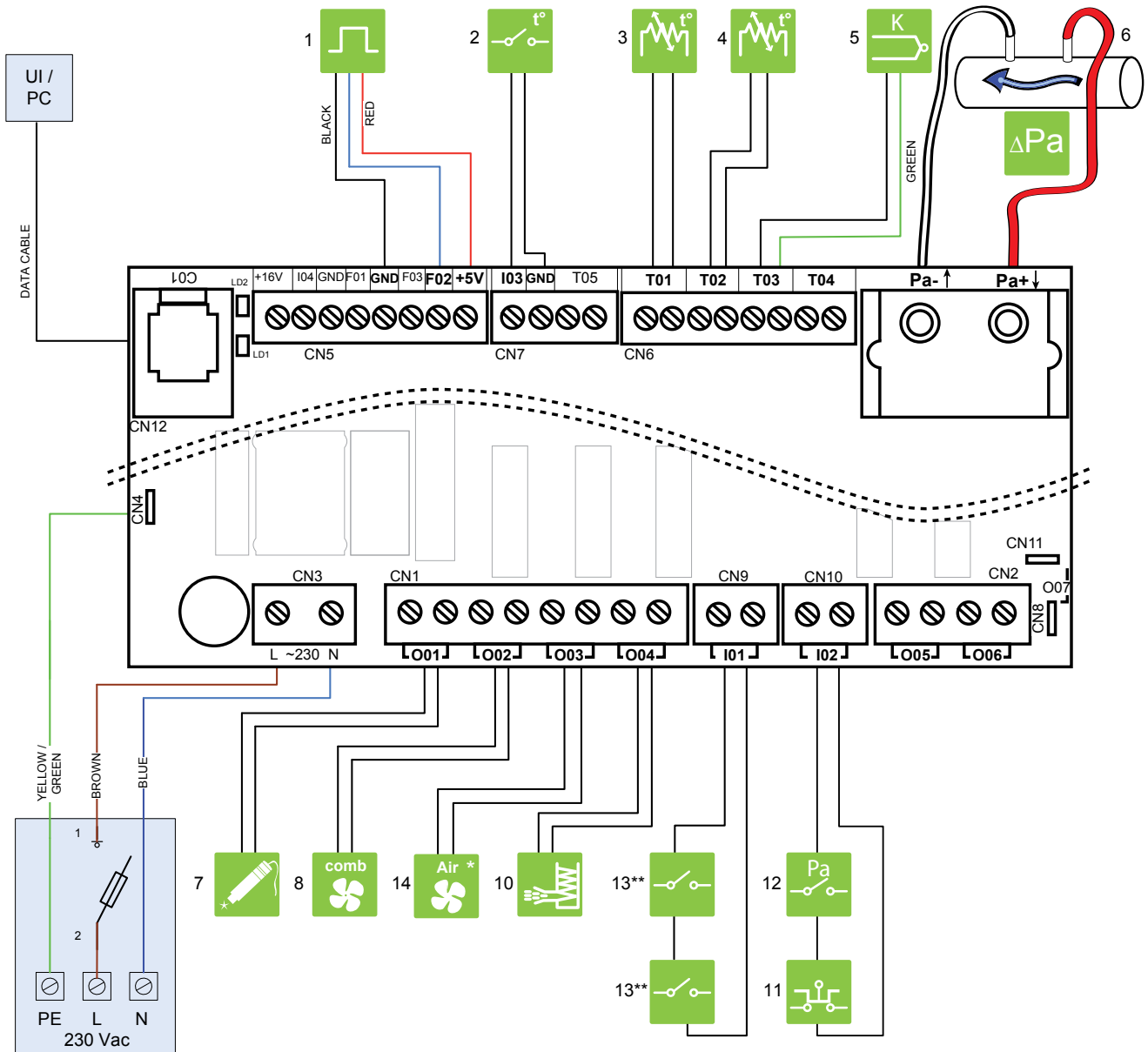
ATTENTION: It is prohibited to throw the stove out in places not intended for waste disposal, as this would pose a serious hazard to people and animals.












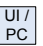


In the case of injury to people or animals, the owner always bears liability.

During disposal, destroy the CE mark, this instruction manual, and other documents related to this stove.

ELECTRICAL DIAGRAM

JØTUL PF 721 V2



| | | | | | | | | |
|---|---|----------------------------|---|----|------------------------------|---|----|------------------|
|  | 1 | HALL SENSOR |  | 6 | DIFFERENTIAL PRESSURE SENSOR |  | 12 | PRESSURE SWITCH |
|  | 2 | ROOM THERMOSTAT |  | 7 | IGNITER |  | 13 | DOOR SENSOR |
|  | 3 | AMBIENT TEMPERATURE SENSOR |  | 8 | EXHAUST FAN |  | 14 | ROOM FAN* |
|  | 4 | PELLET SENSOR |  | 10 | POWER SYSTEM |  | | CONTROL KEYBOARD |
|  | 5 | SMOKE SENSOR |  | 11 | SAFETY THERMOSTAT | | | |

TECHNICAL DATA

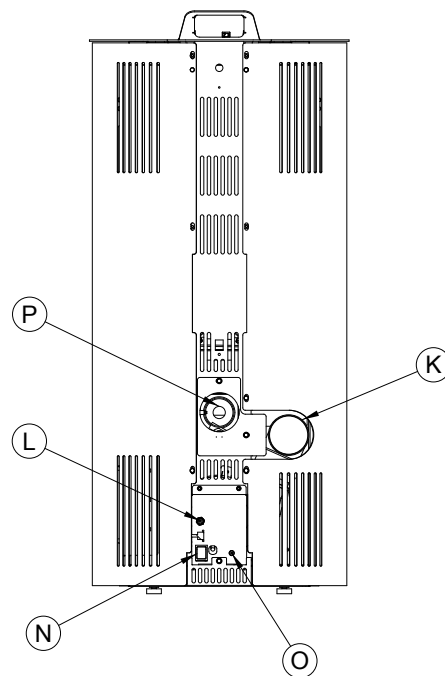
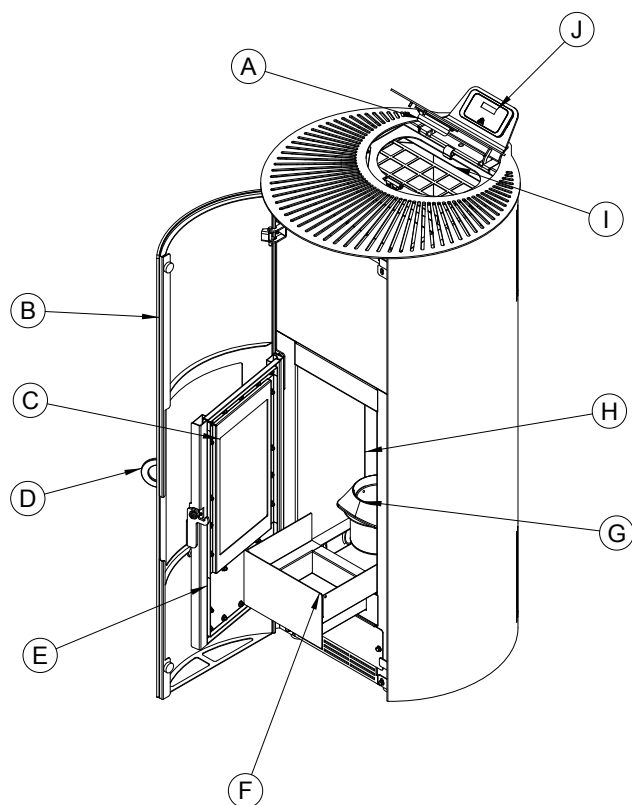
JØTUL PF 721 V2

(according to standard EN 14785)

| | Min | Max |
|--|------------------------|-----------------------|
| *Total thermal power (efficiency) | 2,9 kW | 7 kW |
| Efficiency | 92,3 % | 89 % |
| Smoke temperature | 85,8 °C | 193,7 °C |
| Smoke flowrate | 3,47 g/s | 4,6 g/s |
| Hourly consumption | 0,628 kg/h | 1,615 kg/h |
| CO emissions (13% O2) | 151 mg/Nm ³ | 26 mg/Nm ³ |
| Smoke extraction | Ø 8 cm | |
| Air inlet | Ø 6 cm | |
| Weight | 100 kg | |
| Fuel | Pellets | |
| Feed container capacity | 18 kg | |
| Draught | 12(±2) Pa | |
| To calculate the chimney flue's dimensions, use: | 0.0 Pa | |
| Furnace advised for volumes no smaller than | 30 m ³ | |

| ELECTRICAL STANDARDS | |
|---------------------------------------|-------|
| Voltage | 230 V |
| Frequency | 50 Hz |
| Maximum power consumption during work | 110 W |
| Elektryczny zapłon | 380 W |

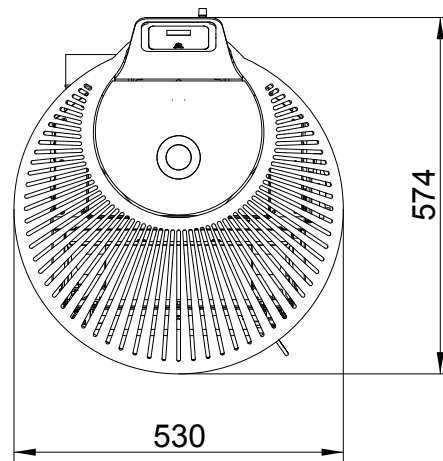
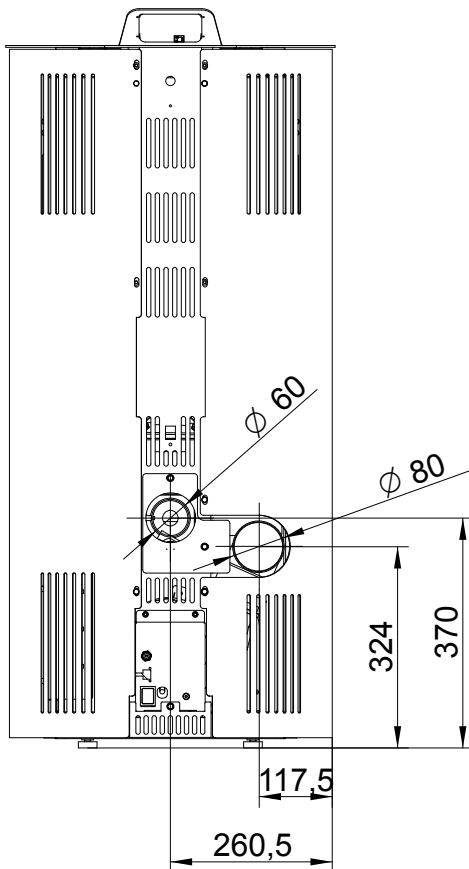
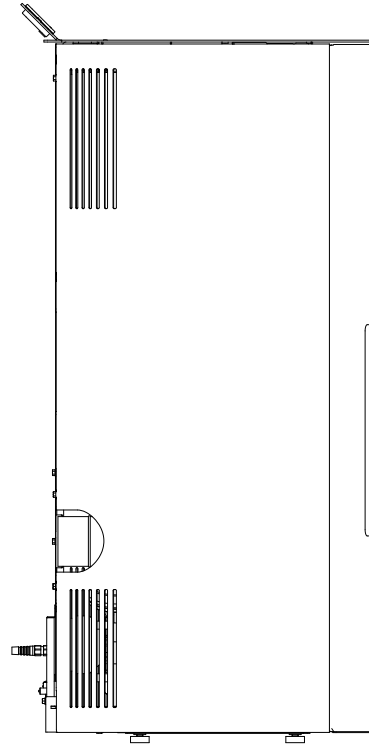
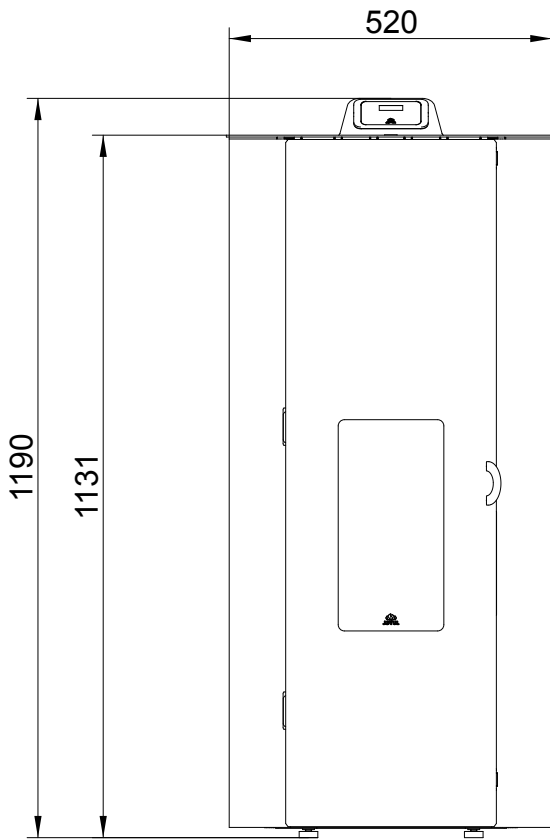
DESCRIPTION



| | |
|---|-------------------------------------|
| A | CONTAINER COVER |
| B | DECORATIVE DOOR |
| C | DOOR PANE |
| D | HANDLE |
| E | FURNACE DOOR |
| F | ASH PAN |
| G | BRAZIER |
| H | INTERIOR PLATES |
| I | PELLET CONTAINER |
| J | BOARD |
| K | SMOKE EXTRACTION DUCT |
| L | AMBIENT TEMPERATURE SENSOR |
| N | MASTER SWITCH |
| O | SAFETY THERMOSTAT WITH MANUAL RESET |
| P | COMBUSTION AIR DUCT |

DIMENSIONS

JØTUL PF 721 V2



CE LABEL

JØTUL PF 721 V2

JØTUL FRANCE SAS - 3, Chemin du Jubin – F-69574 Dardilly Cedex

EN 14785:2006

DOP Nr.004723327 – N. B. 2456



Type: JØTUL PF 721

Matr. N° LT000000000000000012345

| | | | |
|---|---------------------------|----------------|--------------------------|
| Fuel type | F | Pellet | |
| Nominal heat input | Plmax | 7,86 | kW |
| Reduced heat input | Plmin | 2,4 | kW |
| Nominal heat output | Pmax | 7 | kW |
| Reduced heat output | Pmin | 2,2 | kW |
| Efficiency at nominal heat output | EFFmax | 89 | % |
| Efficiency at reduced heat output | EFFmin | 91,28 | % |
| CO Emissions at nominal heat output (13% O ₂) | COmax(13%O ₂) | 25,9 0,002 | mg/Nm ³ % |
| CO Emissions at partial heat output (13% O ₂) | COmin(13%O ₂) | 353,7 0,028 | mg/Nm ³ %% |
| Flue gas temperature | Tf | 193,7 | °C |
| Minimum distance to combustibile materials | X1/X2/Y | 800/150/200 | mm |
| Voltage | V | 230 | V |
| Frequency | f | 50 | Hz |
| Maximum power absorbed when working | Wmin | 80 | W |
| Maximum power absorbed for ignition | Wmax | 380 | W |
| Dust | P | 9,4 | mg/Nm ³ |

PIN: 7

Read and follow the user's instructions
Use only recommended fuel

ITALIANO

INDICE

| | | | |
|---|-----------|--|-----------|
| 1 INTRODUZIONE | 25 | 9 UTILIZZO DELLA STUFA..... | 35 |
| 1.1 Simboli | 25 | 9.1 Accensione | 35 |
| 1.2 Utilizzo | 25 | 9.2 Modifica dei parametri | 35 |
| 1.3 Obiettivi e contenuto delle istruzioni..... | 25 | 9.3 Spegnimento | 35 |
| 1.4 Conservazione delle istruzioni..... | 25 | 9.4 Funzionamento con termostato ambiente | 35 |
| 1.5 Aggiornamento delle istruzioni..... | 25 | 9.5 Funzionamento con il sensore di temperatura ambiente installato sulla stufa | 36 |
| 1.6 Informazioni generali | 25 | 9.6 Condizioni relative l'aspirazione..... | 36 |
| 1.7 Conformità | 25 | 10 FUNZIONI DISPONIBILI..... | 36 |
| 1.8 Garanzia legale | 26 | 10.1 Funzione "timer" | 36 |
| 1.9 Limitazioni di responsabilità del produttore..... | 26 | 10.2 Funzione economica „modalità eco” | 37 |
| 1.10 Caratteristiche dell'utente..... | 26 | 10.3 Funzione "delta di riaccensione"..... | 37 |
| 1.11 Supporto tecnico..... | 26 | 10.4 Funzione "autonomia" | 37 |
| 1.12 Pezzi di ricambio..... | 26 | 10.5 Funzione "rifornitura"..... | 37 |
| 1.13 Targhetta identificativa | 26 | 10.6 Riaccensione in seguito a errore di alimentazione | 37 |
| 1.14 Consegna della stufa..... | 26 | 10.7 Funzione di „blocco tastierino”..... | 37 |
| 2 AVVERTENZE PER LA SICUREZZA..... | 26 | 10.8 Temperatura minima..... | 37 |
| 2.1 Avvertenze per l'installatore | 26 | 11 GESTIONE DEGLI ALLARMI | 38 |
| 2.2 Avvertenze per il personale tecnico addetto alla manutenzione | 27 | 12 MANUTENZIONE..... | 39 |
| 2.3 Avvertenze per l'utilizzatore..... | 27 | 12.1 Misure di sicurezza | 39 |
| 3 CARATTERISTICHE DEL COMBUSTIBILE..... | 28 | 12.2 Manutenzione ordinaria a carico dell'utente..... | 39 |
| 3.1 Caratteristiche del combustibile | 28 | 12.3 Manutenzione straordinaria | 40 |
| 3.2 Conservazione del pellet | 28 | 13 SMALTIMENTO E ROTTAMAZIONE | 40 |
| 4 TRASPORTO E I MOVIMENTAZIONE..... | 28 | SCHEMA DI COLLEGAMENTO ELETTRICO | 41 |
| 4.1 Foto della stufa dal pallet di trasporto..... | 29 | DATI TECNICI | 42 |
| 5 PREPARAZIONE DEL SITO DI INSTALLAZIONE | 29 | DESCRIZIONE..... | 43 |
| 5.1 Considerazioni generali..... | 29 | DIMENSIONI | 44 |
| 5.2 Posizione della stufa..... | 29 | ETICHETTA CE..... | 45 |
| 5.3 Aria di combustione..... | 30 | | |
| 5.4 Estrazione dei fumi | 30 | | |
| 6 INSTALLAZIONE..... | 31 | | |
| 6.1 Livellamento della stufa..... | 31 | | |
| 6.2 Collegamenti | 31 | | |
| 6.3 Configurazione iniziale..... | 32 | | |
| 7 DESCRIZIONE DELLA STUFA | 32 | | |
| 7.1 Tastierino di comando | 32 | | |
| 7.2 Utilizzo del tastierino di comando | 33 | | |
| 7.3 Parametri di funzionamento | 34 | | |
| 8 OPERAZIONI PRELIMINARI | 34 | | |
| 8.1 Riempimento del pellet..... | 34 | | |
| 8.2 Alimentazione elettrica | 34 | | |
| 8.3 Impostazioni iniziali | 34 | | |

1 INTRODUZIONE

I dispositivi di riscaldamento Jøtul (di seguito denominati "stufe a pellet") sono costruiti e installati in conformità con le norme di sicurezza specificate nelle pertinenti direttive europee.

Le presenti istruzioni sono destinate a utenti, installatori, montatori e addetti alla manutenzione della stufa. In caso di dubbi sul contenuto di questo manuale e per ottenere chiarimenti, contattare il produttore o un rivenditore autorizzato, indicando il numero del capitolo a cui si riferisce la domanda.

La stampa, la traduzione e la riproduzione, anche parziale, di questo documento richiedono il consenso scritto di JØTUL.

Le informazioni tecniche, la grafica e i dettagli contenuti in questo manuale non possono essere divulgati a terzi.

Se l'installatore o il montatore non ha compreso appieno quanto indicato nel presente manuale, non dovrebbero utilizzare la stufa. In caso di dubbi, consultare sempre un tecnico autorizzato JØTUL.

JØTUL si riserva il diritto di apportare modifiche tecniche e/o funzionali alla stufa, in qualsiasi momento e senza preavviso.

1.1 SIMBOLI

In questo manuale, i suggerimenti, le istruzioni o le raccomandazioni più importanti sono contrassegnati da uno dei seguenti simboli:



Indicazioni sull'uso corretto della stufa e sugli obblighi per le persone che effettuano operazioni sulla stufa.



Indicazioni sul rispetto delle norme di sicurezza di utilizzo e funzionamento.

1.2 UTILIZZO



La stufa JØTUL è destinata al riscaldamento degli interni domestici. Si tratta di un prodotto avanzato tecnologicamente e viene alimentato con pellet di legno in modalità automatica.

La combustione si avvia solo quando lo sportello della stufa è chiuso.

Non è mai consentito aprire la porta durante il funzionamento della stufa.



Le uniche modalità di utilizzo e configurazione ammesse dal produttore sono quelle conformi con la destinazione e le configurazioni indicate di seguito. Non utilizzare l'apparecchio di riscaldamento in maniera non compatibile con le istruzioni fornite.

1.3 OBIETTIVI E CONTENUTO DELLE ISTRUZIONI

Lo scopo di questo manuale è fornire all'installatore informazioni e basi per una corretta installazione e manutenzione. Osservando rigorosamente quanto descritto in queste istruzioni, è garantito un elevato livello di sicurezza e durata della stufa.

1.4 CONSERVAZIONE DELLE ISTRUZIONI

CONSERVAZIONE E ISPEZIONE

Le istruzioni devono essere conservate con cura e devono essere disponibili per la consultazione da parte dell'utente e degli specialisti di installazione e manutenzione.

Le istruzioni di montaggio sono parte integrante della stufa.

DANNEGGIAMENTO O PERDITA

Se necessario, chiedere al proprio rivenditore JØTUL una nuova copia.

RIVENDITA DELLA STUFA

In caso di rivendita della stufa, l'utente è responsabile del trasferimento delle istruzioni al nuovo utente.

1.5 AGGIORNAMENTO DELLE ISTRUZIONI

Queste istruzioni corrispondono alle conoscenze tecniche disponibili al momento dell'immissione sul mercato della stufa.

Le stufe vendute con tutta la documentazione tecnica necessaria non possono essere considerate non conformi da JØTUL a causa di possibili modifiche o dell'uso di nuove tecnologie nelle apparecchiature introdotte sul mercato in un secondo momento.

1.6 INFORMAZIONI GENERALI

INFORMAZIONI

Quando si scambiano informazioni con il produttore della stufa, il numero di serie e i dati di identificazione devono essere indicati sulla relativa scheda tecnica.

RESPONSABILITÀ

La consegna di questo manuale esonera JØTUL da qualsiasi responsabilità civile e penale per danni derivanti dalla non conformità, anche parziale, delle indicazioni e delle istruzioni contenute nelle presenti istruzioni.

JØTUL declina inoltre ogni responsabilità in caso di uso improprio o errato dell'apparecchio, in caso di modifiche e/o riparazioni non autorizzate o nel caso dell'uso di pezzi di ricambio non originali o non adattati al modello di stufa oggetto del presente manuale.

MANUTENZIONE STRAORDINARIA

Le operazioni di manutenzione devono essere eseguite da personale qualificato e con esperienza nelle operazioni sul modello di stufa descritto nel presente manuale.

OBBLIGHI LEGATI ALLE OPERAZIONI DI INSTALLAZIONE

JØTUL non è responsabile delle operazioni relative all'installazione della stufa.

- Solo l'installatore è responsabile di verificare la presenza di un ingresso per l'aria di combustione e del controllo della relativa sezione secondo le norme applicabili, nonché della conformità delle soluzioni proposte per l'installazione della stufa.
- È inoltre necessario rispettare tutte le norme di sicurezza stabilite dalle normative specifiche in vigore nel Paese in cui viene installata la stufa.
- L'installatore deve possedere i requisiti richiesti dalla Direttiva europea sulle fonti di energia rinnovabili.

UTILIZZO

L'uso del dispositivo, analogamente ai requisiti contenuti nel presente manuale, deve essere conforme a tutti gli standard di sicurezza definiti dalle normative specifiche in vigore nel Paese di installazione.

1.7 CONFORMITÀ

Gli apparecchi, oggetto del presente manuale, sono conformi alle disposizioni legislative delle seguenti direttive comunitarie:

2014/30/UE: Direttiva Compatibilità

Elettromagnetica

2014/35/UE: Direttiva Bassa Tensione

2017/2102/UE: Direttiva RoHS

2009/125/CE: Direttiva Progettazione Ecocompatibile

2014/53/UE: Direttiva RED (Radio Equipment Directive)

REGOLAMENTO (UE) N. 305/2011 (CPR)

REGOLAMENTO (UE) 2015/1185 (ECODESIGN)

Sono state applicate le seguenti norme armonizzate

e/o regolamenti:

EMCD:

- EN 55014-1:2017

- EN 61000-3-2:2015

- EN 61000-3-3:2014 /EC:2016

- EN 55014-2:2015

EMF:

- EN 62233:2008 / EC:2008

LVD:

- EN 60335-1:2013 / EC:2014 / A11:2015 / A13:2017

- EN 60335-2-102:2007 / A1:2011

CPR:

- EN 14785:2006

1.8 GARANZIA LEGALE

Per beneficiare della garanzia legale, l'utente deve seguire scrupolosamente le istruzioni contenute nel presente manuale in conformità con la Direttiva 1999/44/CE, in particolare:

- Agire sempre in conformità con le istruzioni per l'uso.
- Assicurarsi che tutte le operazioni di manutenzione vengano svolte in conformità con le istruzioni di installazione, uso e manutenzione fornite dal produttore.
- Le operazioni sulla stufa devono essere eseguite solo da persone adeguatamente formate sul suo funzionamento in conformità con le istruzioni in dotazione.

La mancata osservanza delle raccomandazioni relative ai requisiti contenuti in questo manuale comporterà l'immediato annullamento della garanzia.

1.9 LIMITAZIONI DI RESPONSABILITÀ DEL PRODUTTORE



Il produttore è sollevato da qualsiasi responsabilità civile e penale, diretta o indiretta, nei seguenti casi:

- Installazione non conforme alle presenti istruzioni e alle norme e ai regolamenti in vigore nel Paese in cui è installata la stufa.
- Mancata manutenzione da parte dell'utente o dell'installatore.
- Mancato rispetto delle istruzioni qui contenute.
- Installazione eseguita da persone non autorizzate al montaggio con certificato Jøtul.
- Utilizzo non conforme con le raccomandazioni di sicurezza.
- Modifiche o riparazioni effettuate senza il consenso del produttore.
- Uso di pezzi di ricambio non originali per il modello di stufa.
- Eventi imprevisti.

1.10 CARATTERISTICHE DELL'UTENTE



L'utente della stufa deve essere una persona adulta e responsabile, dotata delle conoscenze tecniche necessarie per eseguire la manutenzione ordinaria dei componenti meccanici ed elettrici dell'apparecchio.



Assicurarsi che non vi siano bambini nelle vicinanze della stufa quando è accesa.

1.11 SUPPORTO TECNICO

Il servizio tecnico JØTUL fornirà supporto nella risoluzione di eventuali problemi operativi e di manutenzione per tutta la vita della stufa.

JØTUL è a completa disposizione e può fornire l'indirizzo del rivenditore autorizzato più vicino.

1.12 PEZZI DI RICAMBIO

Utilizzare solo pezzi di ricambio originali.

Non attendere che i componenti siano completamente consumati prima di sostituirli.

La sostituzione di un componente prima che sia completamente usurato aiuta a prevenire danni improvvisi che potrebbero causare danni fisici e/o materiali.

I controlli di manutenzione elencati nel capitolo "Manutenzione e pulizia" devono essere eseguiti a intervalli regolari.

1.13 TARGHETTA IDENTIFICATIVA

La targhetta si trova sul retro della stufa e contiene tutti i dati del prodotto, inclusi il numero di riferimento del produttore, il numero di registrazione e la marcatura CE

1.14 CONSEGNA DELLA STUFA

La stufa viene consegnata imballata in una scatola di cartone e posizionata su un pallet di legno che consente di spostarla con un carrello elevatore e/o altri mezzi.

All'interno della stufa sono presenti i seguenti componenti:

- manuale di installazione, uso e manutenzione
- telecomando (solo per modelli con telecomando);
- strumento per l'apertura del ceneraio (solo per i modelli che lo richiedono)

2 AVVERTENZE PER LA SICUREZZA

2.1 AVVERTENZE PER L'INSTALLATORE

Osservare le prescrizioni indicate nel presente manuale.



Le istruzioni di montaggio e smontaggio dell'apparecchio sono riservate ai soli tecnici specializzati.

L'installazione, l'utilizzo e la manutenzione del prodotto devono essere fatti in conformità con le disposizioni del costruttore e nel rispetto delle normative. Il mancato rispetto delle indicazioni fornite ed operazioni non corrette possono essere causa di situazioni di pericolo, danni a cose, persone, animali, problemi di salute o anomalie di funzionamento.

L'installazione, il collegamento elettrico, la verifica del funzionamento e la manutenzione vanno eseguite esclusivamente da personale autorizzato e qualificato.

L'installazione e la manutenzione del prodotto devono essere eseguite esclusivamente da personale qualificato ed in possesso di adeguata conoscenza del prodotto stesso. Usare solo ricambi originali consigliati dal produttore.

La responsabilità delle opere eseguite nello spazio d'ubicazione dell'apparecchio è, e rimane, a carico dell'utilizzatore; a quest'ultimo è demandata anche l'esecuzione delle verifiche relative alle soluzioni d'installazione proposte.

L'installatore deve ottemperare a tutti i regolamenti di sicurezza locali, nazionali ed europei.

L'apparecchio dovrà essere installato su pavimenti con adeguata capacità portante.



Verificare che le predisposizioni della canna fumaria e della presa d'aria siano conformi al tipo d'installazione.

Non effettuare collegamenti elettrici volanti con cavi provvisori o non isolati.

Verificare che la messa a terra dell'impianto elettrico sia efficiente.

L'installatore, prima di avviare le fasi di montaggio o di smontaggio dell'apparecchio, deve ottemperare alle precauzioni di sicurezza previste per legge e in particolare a:

- non operare in condizioni avverse;
- deve operare in perfette condizioni psicofisiche e deve verificare che i dispositivi antinfortunistici individuali e personali siano integri e perfettamente funzionanti;
- deve indossare guanti e scarpe antinfortunistiche;
- deve usufruire di utensili muniti di isolamento elettrico;
- deve accertarsi che l'area interessata alle fasi di montaggio/smottaggio sia libera da ostacoli.

Installare il prodotto in locali che non siano a pericolo incendio e predisposti di tutti i servizi quali alimentazioni (aria ed elettriche) e scarichi per i fumi.

Valutare le condizioni statiche del piano su cui graverà il peso del prodotto e provvedere ad un adeguato isolamento nel caso sia costruito in materiale infiammabile (es. legno,

moquette, plastica).

Parti elettriche in tensione: alimentare il prodotto solo dopo aver completato il suo assemblaggio.

2.2 AVVERTENZE PER IL PERSONALE TECNICO ADDETTO ALLA MANUTENZIONE

Le operazioni di manutenzione devono essere eseguite solo da personale autorizzato e qualificato.

Osservare le prescrizioni indicate nel presente manuale.

Usare sempre i dispositivi di sicurezza individuale e gli altri mezzi di protezione.

Prima di iniziare qualsiasi operazione di manutenzione assicurarsi che l'apparecchio, nel caso in cui sia stato utilizzato, si sia raffreddato.

Qualora anche un solo dei dispositivi di sicurezza risultasse non funzionante, l'apparecchio è da considerarsi non funzionante.

Scollegare l'apparecchio dalla rete elettrica prima di effettuare qualsiasi operazione di manutenzione.

Scollegare l'apparecchio dalla rete elettrica prima di intervenire su parti elettriche, elettroniche, connettori e parti in movimento (sistemi di caricamento pellet, sistemi automatici di pulizia braciere, etc.).

2.3 AVVERTENZE PER L'UTILIZZATORE

Per il corretto uso del prodotto e delle apparecchiature elettroniche ad essa collegate e per prevenire incidenti si devono sempre osservare le indicazioni riportate nel presente manuale.

L'apparecchio presenta delle superfici esterne particolarmente calde (porta, maniglia, vetro, tubi uscita fumi, ecc.).

Occorre quindi evitare di entrare in contatto con queste parti senza adeguati indumenti di protezione o appositi mezzi, come ad esempio guanti a protezione termica o sistemi di azionamento tipo "maniglia fredda".

Per questo motivo si raccomanda la massima cautela durante il funzionamento in particolare:



Non toccare e non avvicinarsi al vetro della porta focolare, potrebbe causare ustioni; non guardare la fiamma per lungo tempo.



Non appoggiare direttamente biancheria sull'apparecchio con l'intento di farla asciugare: pericolo di incendio.

- • non toccare lo scarico dei fumi;
- • non eseguire pulizie di qualunque tipo;
- • non scaricare le ceneri;
- • non aprire la porta focolare;
- • non aprire il cassetto cenere (ove previsto).

L'apparecchio può essere utilizzato da bambini di età non inferiore a 8 anni e da persone con ridotte capacità fisiche, sensoriali o mentali, o prive di esperienza o della necessaria conoscenza, purché sotto sorveglianza oppure dopo che le stesse abbiano ricevuto istruzioni relative all'uso sicuro dell'apparecchio e alla comprensione dei pericoli ad esso inerenti. I bambini non devono giocare con l'apparecchio. La pulizia destinata ad essere effettuata dall'utilizzatore non deve essere effettuata da bambini senza sorveglianza.

Prima di iniziare qualsiasi operazione, l'utente o chiunque si appresti ad operare sul prodotto dovrà aver letto e compreso l'intero contenuto del presente manuale di installazione e utilizzo. Errori o cattive

impostazioni possono provocare condizioni di pericolo e/o funzionamento irregolare.

L'utente non specializzato deve essere tutelato dall'accesso a qualunque parte possa esporlo a pericoli. Non deve perciò essere autorizzato ad intervenire su parti interne a rischio (elettrico o meccanico), nemmeno se è prescritto il distacco dell'alimentazione elettrica.

Rispettare le istruzioni e gli avvertimenti evidenziati dalle targhette esposte sull'apparecchio.

Le targhette sono dispositivi antinfortunistici, pertanto devono essere sempre perfettamente leggibili. Qualora risultassero danneggiate ed illeggibili è obbligatorio sostituirle, richiedendone il ricambio originale al Costruttore.

Seguire scrupolosamente il programma di manutenzione ordinaria e straordinaria.

Non impiegare l'apparecchio senza prima avere eseguito la pulizia giornaliera.

Non utilizzare l'apparecchio in caso di funzionamento anomalo, sospetto di rottura o rumori insoliti.

In caso di guasto o malfunzionamento, spegnere l'apparecchio e contattare immediatamente il tecnico specializzato.

Non gettare acqua sull'apparecchio in funzionamento o per spegnere il fuoco nel braciere.

Non spegnere l'apparecchio scollegando la connessione elettrica di rete.

Non appoggiarsi sulla porta aperta, potrebbe compromettere la stabilità dell'apparecchio.

Non usare l'apparecchio come supporto ad ancoraggio di qualunque tipo.

È vietato utilizzare il prodotto come scala o struttura di appoggio.

Non pulire l'apparecchio fino a completo raffreddamento di struttura e ceneri.

Toccare la porta solo ad apparecchio freddo.

In caso di fuoriuscita di fumo nella stanza o di esplosione ai danni del dispositivo, spegnerlo, areare il locale e contattare immediatamente l'installatore/ il tecnico addetto all'assistenza.

In caso di incendio nella canna fumaria, spegnere l'apparecchio, scollegarlo dall'alimentazione e non aprire lo sportello. Quindi chiamare le autorità competenti.

In caso di guasto al sistema di accensione, non accendere l'apparecchio con materiali infiammabili.

In apparecchi dotati di alimentazione elettrica, se avviene la formazione di gas/fumi incombusti all'interno del focolare, non disconnettere l'alimentazione elettrica ed allontanarsi il più possibile dall'apparecchio.

In caso di malfunzionamento dell'apparecchio dovuto ad un tiraggio non ottimale della canna fumaria effettuare la pulizia seguendo la procedura descritta nel paragrafo "Manutenzione del sistema fumario".

Non toccare le parti verniciate durante il funzionamento per evitare danneggiamenti alla verniciatura.

Ogni responsabilità per un uso improprio del prodotto è totalmente a carico dell'utente e solleva il produttore da ogni responsabilità civile e penale.



È vietato far funzionare l'apparecchio con la porta aperta.

È vietato utilizzare l'apparecchio se il vetro o le guarnizioni della porta sono danneggiati.

Qualsiasi tipo di manomissione o di sostituzione non autorizzata di particolari non originali del prodotto può essere pericoloso per l'incolumità dell'operatore e sollevano la ditta da ogni responsabilità civile e penale.



È vietato caricare manualmente il pellet nel braciere, poiché tale comportamento scorretto potrebbe generare una quantità anomala di gas incombusti, con il conseguente rischio di esplosione all'interno della camera.

L'accumulo di pellet incombusto nel braciere dopo una mancata accensione deve essere rimosso prima di procedere con un nuovo tentativo di accensione.

Se il braciere non viene pulito e sottoposto a interventi di manutenzione si possono verificare malfunzionamenti ed esplosioni all'interno dell'apparecchio. Assicurarsi di rimuovere ogni traccia di materiale o incrostazione dai fori del braciere e di pulirli, ogni volta che si svuotano le ceneri oppure in caso di mancata accensione. Assicurarsi che la dimensione dei fori del braciere non si riduca, poiché ciò avrebbe un effetto negativo sulla prestazione in sicurezza dell'apparecchio.

Non lavare il prodotto con acqua. L'acqua potrebbe penetrare all'interno dell'unità e guastare gli isolamenti elettrici, provocando scosse elettriche.

Non sostare per un lungo periodo davanti al prodotto in funzione.

Un uso errato del prodotto o un intervento di manutenzione scorretto possono comportare un serio rischio di esplosione nella camera di combustione.

Utilizzare esclusivamente il combustibile raccomandato dal produttore.

Il prodotto non deve essere utilizzato come inceneritore.

È vietato utilizzare benzina, combustibile per lampade, kerosene, accendifuoco liquido per legna, alcool etilico o liquidi simili per accendere o ravvivare una fiamma in questo apparecchio. Tenere questi liquidi a debita distanza dall'apparecchio durante il funzionamento.

È vietato mettere nel serbatoio combustibili diversi da pellet di legno.

Alcuni consigli per evitare fenomeni di corrosione:

- effettuare accuratamente le operazioni di pulizia ordinaria evitando i depositi di cenere;
- alimentare l'apparecchio solo con combustibile avente le caratteristiche riportate alla voce "Caratteristiche del combustibile";
- non utilizzare solventi, acidi, detersivi o prodotti aggressivi per la pulizia diretta del vetro o di altri componenti del prodotto;
- evitare di lasciare il prodotto in condizioni ambientali sfavorevoli (umidità, salinità dell'aria, intemperie, ecc.);
- se l'apparecchio non viene utilizzato per un lungo tempo (es. periodo estivo), disconnettere il tubo di ingresso dell'aria comburente e introdurre nella camera di combustione dei sacchetti disidratanti per assorbire l'umidità dell'aria assicurandosi di rimuoverli alla riaccensione del prodotto.

3 CARATTERISTICHE DEL COMBUSTIBILE

3.1 CARATTERISTICHE DEL COMBUSTIBILE

- I pellet, ovvero il granulato di legno (fig. 3.1), sono costituiti da vari tipi di legno pressato in un processo meccanico conforme alle norme di protezione ambientale. È l'unico combustibile consentito per questo tipo di stufa.
- L'efficienza e la potenza termica della stufa possono variare a seconda della qualità dei pellet di legno utilizzati.
- Per un corretto funzionamento, la stufa a pellet richiede pellet con le seguenti proprietà:
 - **dimensione Ø 6 mm**
 - **lunghezza max. 30 mm**

- **umidità max: dall'8% al 10% di umidità.**

La stufa è dotata di un serbatoio per il pellet la cui capacità è indicata nella documentazione tecnica.

Il coperchio del serbatoio di caricamento della stufa si trova in alto. Il coperchio deve essere sempre aperto durante il caricamento del pellet.



Per motivi di sicurezza e per garantire il controllo della temperatura, non utilizzare ciocchi di legno tradizionali.



L'apparecchio non è un inceneritore e non deve bruciare altro che pellet di legno.

3.2 CONSERVAZIONE DEL PELLETT



I pellet devono essere conservati in un luogo asciutto e non troppo freddo.

Si consiglia di conservare alcuni sacchetti di pellet nella stanza in cui si trova la stufa o in una stanza adiacente per garantire temperatura e umidità adeguate.

I pellet umidi e/o freddi (5°C) hanno potenza termica ridotta ed è necessario pulire la griglia più spesso (pellet non bruciati).

Particolare attenzione dovrebbe essere prestata allo stoccaggio e alla manipolazione dei sacchi di granulato al fine di evitare schiacciamenti e formazione di polvere.

Ciò può causare l'introduzione di segatura nel serbatoio della stufa, che può causare l'inceppamento o il blocco della coclea di alimentazione e danneggiare il motore di azionamento della coclea.

Le proprietà dei granuli devono essere conformi ai requisiti della norma UNI EN 14961:2011.



fig. 3.1

4 TRASPORTO E MOVIMENTAZIONE

La stufa viene consegnata completa di tutte le parti necessarie.

Fare attenzione poiché la stufa tende a perdere l'equilibrio. Il suo baricentro si sposta in avanti.

Quando si sposta la stufa sul pallet di trasporto, tenere conto delle raccomandazioni di cui sopra.

Evitare scatti e movimenti improvvisi durante lo spostamento.

Assicurarsi che il carrello elevatore abbia una capacità superiore al peso della stufa sollevata.

L'operatore del carrello elevatore è il solo responsabile del sollevamento dei carichi.



Assicurarsi che i bambini non giochino con i materiali di imballaggio (ad es. pellicole e polistirolo). Pericolo di soffocamento!

4.1 FOTO DELLA STUFA DAL PALLET DI TRASPORTO

Seguire le indicazioni contenute in queste istruzioni per rimuovere la stufa dal pallet di trasporto.

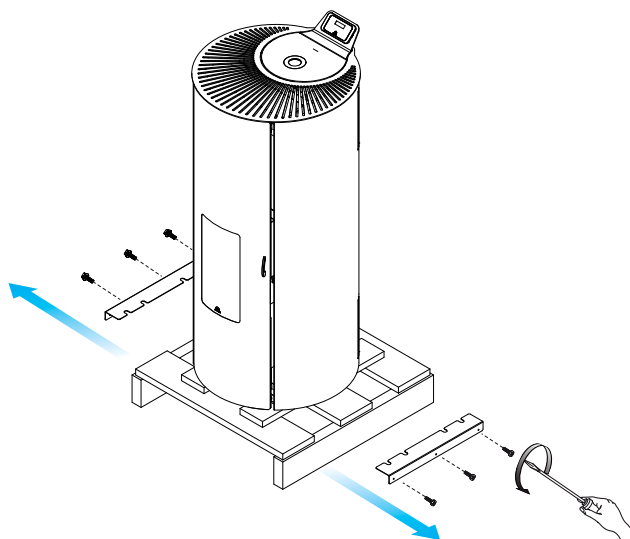


fig. 4.1

5 PREPARAZIONE DEL SITO DI INSTALLAZIONE

5.1 CONSIDERAZIONI GENERALI

Esistono diversi fattori che rendono la combustione più efficiente in termini di prestazioni termiche e bassa emissione di sostanze inquinanti (monossido di carbonio CO-). Alcuni fattori dipendono dall'apparecchio in cui avviene la combustione, mentre altri dipendono dalle caratteristiche ambientali, dall'installazione e dal grado di manutenzione effettuato sull'apparecchio.

Tra i fattori importanti ci sono:

- aria di combustione,
- caratteristiche del sistema di evacuazione dei prodotti di combustione (connessione),
- qualità del carburante (umidità e dimensioni).

Nei paragrafi seguenti ci sono linee guida da osservare per le massime prestazioni del prodotto acquistato.

Fornire l'accesso per consentire e pulire l'apparecchio, il condotto di collegamento e il condotto del fumo (o, se applicabile, lo scarico coassiale del fumo e il sistema di alimentazione dell'aria)

5.2 POSIZIONE DELLA STUFA

In allegato sono indicate le distanze minime in centimetri (fig. 5.1) da osservare durante l'installazione della stufa in relazione a pareti divisorie e oggetti infiammabili. Nel caso di partizioni / oggetti non infiammabili, queste dimensioni possono essere dimezzate. Proteggere dalle radiazioni di calore e dal rischio di incendio tutte le strutture che potrebbero incendiarsi se esposte a troppo calore. I pavimenti in legno o infiammabili devono essere protetti da un'ampia base antincendio sotto la stufa. Questa base può essere, ad esempio, acciaio, ardesia, vetro temperato o pietra, deve coprire la superficie del pavimento sotto la stufa e il collegamento del condotto di scarico e deve sporgere di fronte a 50 cm. Il produttore non si assume alcuna responsabilità per qualsiasi cambiamento nelle caratteristiche del materiale che costituisce il pavimento sotto l'apparecchio. Qualsiasi elemento in legno (travi) o materiale infiammabile situato vicino alla stufa deve essere protetto con materiale ignifugo.

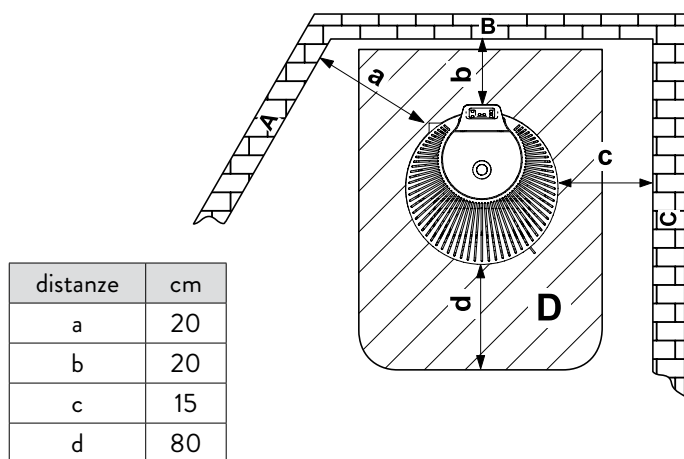


fig. 5.1

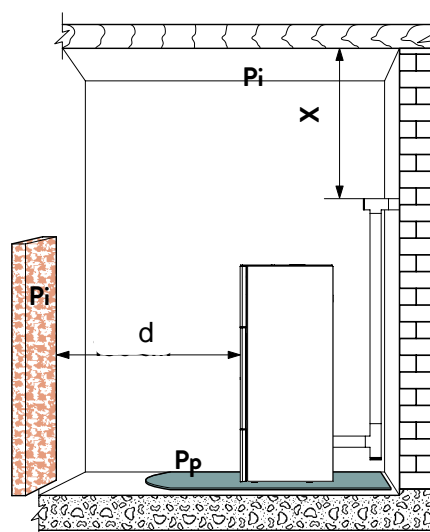


fig. 5.2

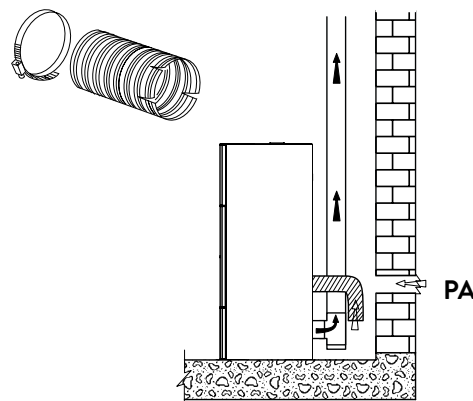


fig. 5.3

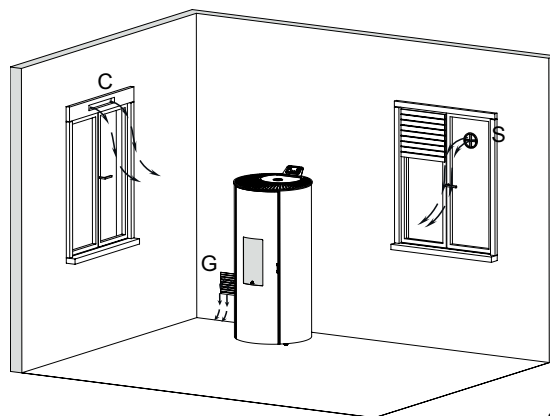


fig. 5.4



Fornire spazio tecnico disponibile per tutta la manutenzione.

Assicurarsi di rispettare le distanze minime tra tutti i materiali infiammabili e la stufa nonché l'evacuazione dei fumi. Si prega di rispettare la DTU. Tra l'altro i tubi devono recare la marcatura CE. Per legna da ardere deve essere marcato G xx (G indica che la connessione resiste al fuoco del camino e xx è la distanza minima di sicurezza in millimetri) (fig. 5.2).

Pi = Parete infiammabile

Pp = Protezione del pavimento

5.3 ARIA DI COMBUSTIONE



La stufa durante il funzionamento aspira molta aria (anche modesta) nell'ambiente in cui si trova, l'aria deve essere ripristinata attraverso una presa d'aria all'esterno della stanza (fig. 5.3 - PA = Uscita dell'aria).

Se la parete posteriore della stufa è una parete esterna, praticare un foro per l'ingresso dell'aria di combustione a una protezione del terreno di circa 20-30 cm. È necessario posizionarlo all'esterno di una griglia di ventilazione permanente. Nelle aree ventose ed esposte, è necessario fornire un cappello protettivo. Assicurarsi che l'ingresso dell'aria sia posizionato in modo da non essere accidentalmente bloccato. (Stacking di materiali all'esterno contro la griglia). Se non è possibile realizzare un condotto dell'aria diretto nel muro, è possibile prendere l'aria nel sottosuolo a condizione di canalizzare l'aria dall'esterno per non inquinare l'aria ambiente. Puoi anche prendere aria direttamente nello spazio di scansione se è ventilato. La sezione delle griglie dello spazio di scansione deve corrispondere a 5 volte l'area delle griglie in cm² dell'area in m² del piano terra (Esempio: il piano terra di 100 m² fornisce 500 cm² di area della griglia. (fig. 5.4 G = griglia, S = otturatore) C non può essere considerato come una presa d'aria se l'abitazione è dotata di Meccanica controllata dalla ventilazione (VMC). Devono essere rispettati i DTU 24-1 e 24-2 e il decreto del 22 OTTOBRE 1969. I sanitari Il regolamento dipartimentale di tipo (RSDT) nel § 23-1 specifica le condizioni di ingresso dell'aria nelle abitazioni e indica che le prese d'aria non devono essere ostruite dall'utente. Se ci sono altri riscaldatori, è necessario in ogni presa d'aria di combustione locale per garantire volume d'aria necessario per il corretto funzionamento di tutti i dispositivi.

Quando nella stanza in cui è presente la stufa l'aspirazione motorizzata dell'aria (VMC) può essere causata da una mancanza di aria di combustione per l'apparecchio. Il decreto del 23/02/2009 indica una sezione minima di 50 cm² per un apparecchio a combustibile solido la cui potenza non superi i 25 KW. Il decreto n. 2008-1231 articolo R131-1 (monossido di carbonio) regola la presa d'aria. È possibile canalizzare l'aria di combustione utilizzando un raccordo coassiale (tubo di scarico per espulsione fumi e un altro per aria di aspirazione), quindi non è necessario avere una presa d'aria classica nella stanza. Il decreto n. 2008-1231 articolo R131-2 elimina la presa d'aria esterna diretta poiché il dispositivo ha una propria fornitura d'aria per apparecchi impermeabili

5.4 ESTRAZIONE DEI FUMI

La stufa funziona con camera di combustione sotto pressione negativa. È essenziale verificare che tutti i collegamenti dei tubi, in particolare i tubi di scarico, siano ben serrati.



Accertarsi che l'impianto del camino sia costruito in conformità con le normative e che sia autoportante per evitare che poggi sulla stufa.

Dopo aver selezionato un luogo adatto per l'installazione della stufa e tenendo conto delle regole menzionate nei paragrafi precedenti, determinare la posizione per l'installazione degli scarichi dei fumi. I tubi di

collegamento utilizzati per l'installazione del camino devono recare la marcatura CE, che determina, secondo i test del produttore, il loro possibile uso per dispositivi di riscaldamento alimentati a combustibili solidi (temperatura specificata dal produttore della stufa sull'etichetta CE più valore di sicurezza 50°C).

La parte dell'impianto del camino all'esterno dell'edificio deve essere isolata e la sua altezza deve superare il comignolo di 60 cm.

Il collegamento della stufa al camino deve essere il più breve possibile ed eventuali cambi di direzione devono essere effettuati con raccordi da 45°.



Per garantire la possibilità di drenaggio della condensa che può formarsi nel condotto fumario, è necessario installare un raccordo a T all'uscita del camino verso l'esterno dell'edificio (fig. 5.5.3).

Le sezioni orizzontali possono avere una lunghezza massima di 2-3 metri e una pendenza verso l'alto del 3-5%. La distanza tra le canne fumarie non isolate e gli elementi realizzati con materiali infiammabili non deve essere inferiore a 60 cm.

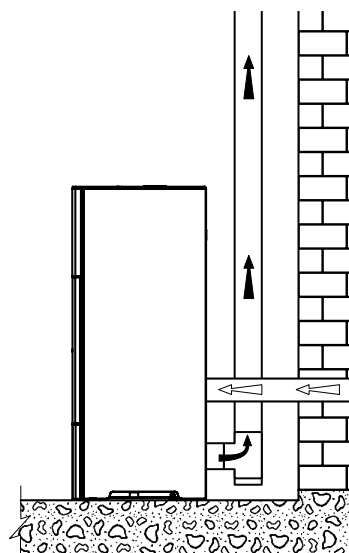


fig. 5.5

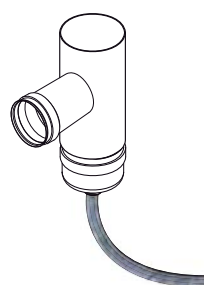


fig. 5.5.3

6 INSTALLAZIONE

L'installatore deve possedere il certificato Jøtul che lo autorizza al montaggio di dispositivi a combustibile solido.

6.1 LIVELLAMENTO DELLA STUFA

La stufa deve essere posizionata orizzontalmente e verticalmente usando una livella a bolla d'aria. La regolazione può essere effettuata utilizzando i piedini regolabili (fig. 6.1). Svitare i piedini fino ai dadi montati.

A B = Livella a bolla d'aria

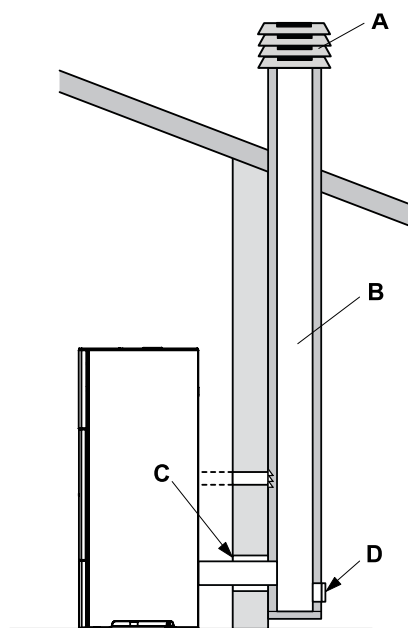


fig. 5.5.1

- A) Terminale del camino per protezione dal vento
- B) La sezione massima è di 15 x 15 cm o Ø 15 cm e l'altezza massima è di 4-5 m.
- C) Passaggio del camino
- D) Scarico

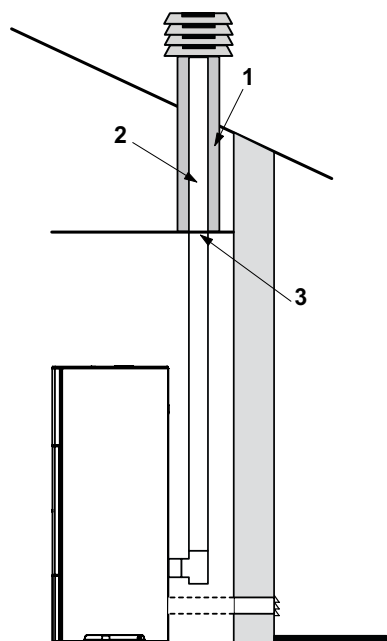


fig. 5.5.2

- 1) Vermiculite e/o lana minerale
- 2) Tubo d'acciaio
- 3) Pannello per soffitto

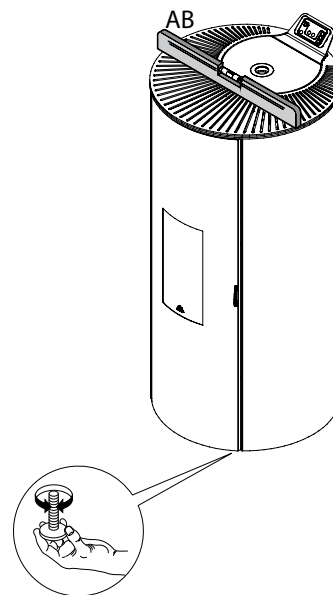


fig. 6.1

6.2 COLLEGAMENTI

6.2.1 Connessione elettrica

È sufficiente collegare la stufa alla rete elettrica con la spina.

Il collegamento elettrico (presa) deve essere facilmente accessibile dopo l'installazione della stufa e deve rimanere visibile.

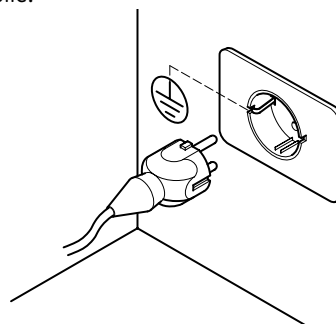


fig. 6.2



Se il cavo di alimentazione è danneggiato, deve essere sostituito da un tecnico qualificato per evitare qualsiasi rischio di scosse elettriche.

6.2.1.1 Messa a terra

Secondo le norme applicabili, l'impianto deve essere dotato di un sistema di messa a terra e di un interruttore automatico (fig. 6.2).



La canna fumaria in metallo deve essere dotata di un proprio collegamento di terra.

6.2.2 Collegamento a un cronotermostato esterno

È possibile collegare un cronotermostato esterno che spenga e accenda la stufa a seconda della temperatura programmata.

Dopo aver raggiunto la temperatura impostata, il termostato apre il circuito e spegne la stufa.

Il termostato esterno deve essere collegato ai due terminali sulla scheda elettronica precedentemente collegati in fabbrica. Scollegare entrambi i morsetti e collegarvi i due contatti del termostato.

È importante mettere la stufa nella configurazione 2, seguendo le istruzioni nel capitolo "Configurazione iniziale".



Dopo aver installato il cronotermostato, la prima accensione della stufa deve essere eseguita manualmente quando il cronotermostato è in modalità "chiamata". Procedere allo stesso modo dopo un'interruzione di corrente e quando la stufa viene spenta manualmente.



Per evitare che il suo funzionamento si sovrapponga agli intervalli di tempo della stufa, si consiglia di disabilitare (impostazione su OFF) il timer della stufa (vedere il capitolo 10.1).

6.3 CONFIGURAZIONE INIZIALE

A seconda del tipo di installazione, la stufa deve essere correttamente configurata per ottimizzarne il funzionamento.

Per fare ciò, accendere prima la stufa premendo l'interruttore sul retro.

- Servirsi dei pulsanti a freccia (←) (→) per selezionare il menu Configurazione (⚙️) e premere (↵);
- Selezionare la voce "7" con il pulsante (+) e confermare con il pulsante (↵);
- Scegliere il menu secondario [30] con l'ausilio dei pulsanti (+) (-); „r--E" inizia a lampeggiare.
- Premere il pulsante (↵) e inserire "54" con l'ausilio dei pulsanti (+) (-);
- Premere il pulsante (↵), per confermare.
- Viene visualizzata la configurazione corrente.
- Per modificare, premere il pulsante (↵) e con l'ausilio dei pulsanti (+) (-) inserire il numero corrispondente alla nuova configurazione.
- Premere il pulsante (↵), per confermare.



Dopo aver modificato la configurazione, potrebbe apparire un messaggio di allarme per alcuni secondi. Ignorarlo e spegnere la stufa premendo l'interruttore sul retro. Attendere qualche secondo, quindi riaccenderla.

È POSSIBILE PROGRAMMARE DUE DIVERSE CONFIGURAZIONI:

CONFIGURAZIONE 1 (impostazione predefinita)

Questa configurazione è adatta anche per accendere e spegnere la stufa manualmente o in modo programmato.

La stufa modula la sua potenza in base alla temperatura ambiente rilevata dal sensore al suo interno.

È possibile attivare la funzione "Modalità Eco" in modo che la stufa si spegna quando viene raggiunta la temperatura impostata e si riaccenda quando la temperatura ambiente scende.

In questa configurazione è anche possibile selezionare la funzione antigelo.

CONFIGURAZIONE 2

Impostare questa configurazione quando la stufa è controllata da un termostato esterno (o cronotermostato).

In questa configurazione, la stufa si spegne all'accensione del termostato esterno dopo aver raggiunto la temperatura programmata.

In questa configurazione, non è possibile selezionare la funzione antigelo.

7 DESCRIZIONE DELLA STUFA

7.1 TASTIERINO DI COMANDO

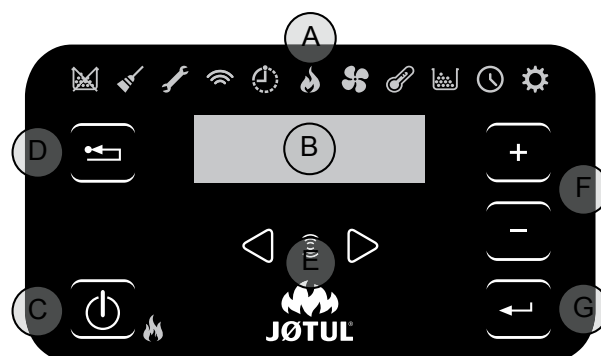


fig. 7.1

Disposizione sul tastierino di comando:

- parte superiore con LED di stato e icone retroilluminate per identificare funzioni specifiche,
- display a LED,
- pulsante di accensione (⏻),
- pulsante „Annulla" e visualizzazione di "Allarme" (🚨),
- due pulsanti freccia per navigare tra i vari menu (←) (→),
- due pulsanti (+) e (-) di accesso al menu secondario dei parametri operativi,
- pulsante di invio (↵) per confermare un parametro o una selezione.






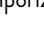


Trattandosi di un tastierino touch, basta premere i pulsanti per attivarlo.


7.1.1 LED di stato

| ICONA | MESSAGGIO | DESCRIZIONE |
|-------|--|--|
| | Pellet in esaurimento | Indica che è necessario riempire il serbatoio del pellet. |
| | Manutenzione | Indica che è necessario eseguire la manutenzione. |
| | Supporto | Indica l'attivazione dell'allarme. |
| | Ricevitore del dispositivo radio | LED sempre acceso: il pannello si è accoppiato con il dispositivo radio LED intermittente: In stato di accoppiamento, pairing LED spento: nessun dispositivo collegato |
| | Relé temporizzato attivato | Indica che la funzione di relé temporizzato è attiva. |
| | LED di stato (accanto al pulsante (⏻)) | LED acceso: indica che la stufa è accesa. LED lampeggiante: indica che la stufa è in fase di accensione o è in modalità standby. LED spento: indica che la stufa è spenta. |

7.1.2 Descrizione del menu

| ICONA | FUNZIONE | DESCRIZIONE | PROPRIETÀ |
|---|-------------------|--|--|
|  | Potenza | Impostazione della potenza di lavoro. | 1-5 |
|  | Ventilazione*: | Impostazione della potenza del ventilatore nella stanza | c : OFF,1,5 ; A ; Hi r* : OFF, 1... 5 l* : OFF, 1... 5 |
|  | Temperatura | Indica la temperatura ambiente e consente di programmare la temperatura desiderata. | da 6°C a 51°C |
|  | Combustibile | Indica il tempo di funzionamento autonomo e consente di azzerarlo durante il caricamento del pellet [FULL] o di spegnere il display [OFF]. | FULL – OFF |
|  | Relè temporizzato | Consente di attivare e disattivare il relè temporizzato. Quando il timer è in esecuzione, l'icona  viene visualizzata come fissa. | ON – OFF |



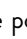
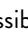
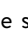
* Solo per versioni dotate di uno o due ventilatori di distribuzione aria calda




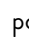
| ICONA | FUNZIONE | MENU SECONDARIO | DESCRIZIONE | PROPRIETÀ | |
|---|--------------------|-------------------------------|------------------------------------|---|-----------------------|
|  | Regolazione | [1] | Timer settimanale | Assegnazione dei programmi (max 3) per diversi giorni della settimana | da [d1] a [d7] |
| | | [2] | Programmi | Impostazione del programma. | da [P1] a [P6] |
| | | [3] | Ora/data | Impostazione di data e ora. | |
| | | [4] | Ore rimanenti | Visualizza il numero di ore rimanenti fino alla successiva manutenzione consigliata. Il valore "Hi" indica un valore superiore a 999 ore. | |
| | | [5] | Informazioni di sistema | Visualizza la versione corrente del software. | |
| | | [6] | Funzione non attiva | | |
| | | [7] | Funzione Eco | Consente di attivare o disattivare la modalità Eco che permette l'accensione e lo spegnimento automatico in base alla temperatura ambiente (solo nella configurazione 1). | OFF; Eco |
| | | [8] | Delta riaccensione | Differenza di grado rispetto alla temperatura ambiente al di sotto della quale la stufa si riaccenderà (solo nella configurazione 1). | da 0,5°C a 5,0°C |
| | | [9] | Temperatura di protezione antigelo | Temperatura minima al di sotto della quale la stufa si accende (solo nella configurazione 1). | OFF; da 3°C a 20°C |
| | | [10] | Blocco tastierino | Configurazione blocco pulsanti | OFF; Lo; Hi |
| | | [11] | Luminosità dello schermo | Imposta il grado di luminosità dello schermo. | OFF; da 1 a 5 |
| | | [12] | Modalità di visualizzazione | Configurazione della visualizzazione dati. | OFF; da 1 a 4 |
| | | [13] | Volume del segnale acustico | Impostazione del volume del segnale acustico. | OFF; da 1 a 5 |
| | | [14] | Tipo di pellet | È possibile impostare 3 diversi tipi di pellet. | da 1 a 3 |
| | | [15] | Funzione non attiva | | |
| | | [30] | Menu installatore | Modifica/visualizza la configurazione della stufa. | PWD: „54” |
| | | [31] | Caricamento pellet** | Attivazione manuale del sistema di caricamento pellet | PWD: “54” |
| [36] | Pairing | Temperatura ambiente | ON; OFF; t | | |
| [37] | Pairing* | Ventola destra - R | ON; OFF; t | | |
| [38] | Pairing* | Ventola sinistra - L | ON; OFF; t | | |
| [40] | Menu di assistenza | Menu dedicato all'assistenza. | | | |

I menu secondari [30] e [40] e il menu Configurazione sono protetti da password e sono destinati solo ai tecnici dell'assistenza.

* Solo per versioni dotate di uno o due ventilatori di distribuzione aria calda ** Se disponibile

7.2 UTILIZZO DEL TASTIERINO DI COMANDO

- Toccando i pulsanti freccia   è possibile scorrere tra i vari menu e si illuminano in sequenza.
- Per modificare le impostazioni di una funzione, è sufficiente premere il pulsante , quando viene visualizzata la funzione e modificare i valori utilizzando i pulsanti  .

- Premere nuovamente il pulsante  per confermare la modifica.
- In generale, tutti i parametri lampeggianti possono essere modificati utilizzando i pulsanti  .
- Il pulsante „Annulla”  consente di annullare la modifica; un tocco prolungato permette di visualizzare il codice di allarme che potrebbe essere stato attivato.

7.3 PARAMETRI DI FUNZIONAMENTO

Il funzionamento della stufa dipende dai parametri di Potenza, Ventilazione e Temperatura impostati dall'utente.

7.3.1 Cambio di potenza

La potenza corrisponde alla quantità di calore prodotta dalla stufa e ha quindi un'influenza diretta sui consumi.

Per cambiare la potenza:

- Servirsi dei pulsanti ◀ ▶ scegliere il menu della potenza 🔥 e premere ⇐.
- Il parametro inizia a lampeggiare, modificarlo con i pulsanti + - (1 è il minimo e 5 è il massimo).
- Premere il pulsante ⇐, per confermare l'impostazione.

7.3.2 Cambio della ventilazione

Per modificare il valore della ventilazione:

- Portarsi con i tasti ◀ ▶ sul menu ventilazione 🍃 e premere il tasto ⇐;
 - Usare i tasti + - per spostarsi tra il ventilatore centrale [c], il ventilatore destro [r]* e il ventilatore sinistro [l]*;
 - Premere il tasto ⇐ per selezionare il ventilatore desiderato;
 - Selezionando il ventilatore centrale [c]; modificarne il valore con i tasti + -:
- “OFF” = esclude completamente la ventilazione e la stufa funzionerà solo a convezione naturale;
 - “1” minimo, ..., “5” massimo;
 - “A” = funzionamento automatico (la stufa imposterà la velocità in funzione della temperatura ambiente);
 - “Hi” = funzionamento ultraveloce (da utilizzare solo se c'è la necessità di riscaldare velocemente un ambiente);
- Premere il tasto ⇐ per confermare i dati impostati.

Se vengono selezionati i ventilatori posteriori destro [r]* o sinistro [l]*, è possibile impostare i valori di OFF e velocità “1” minimo, ..., “5” massimo.

Nell'eventualità che il ventilatore centrale sia stato messo a OFF e almeno uno dei due ventilatori posteriori è attivo, il ventilatore centrale si porrà automaticamente sul valore di minimo.

* Solo per versioni dotate di uno o due ventilatori di distribuzione aria calda

7.3.3 Modifica della temperatura ambiente

La modifica di questo parametro determina la temperatura desiderata nella stanza, che verrà letta direttamente dal sensore installato sulla stufa.

Per modificare il valore di temperatura desiderato:

- Utilizzando i pulsanti ◀ ▶, scegliere il menu della temperatura 🔧 e premere ⇐.
- Il parametro corrente inizia a lampeggiare, modificarlo con l'ausilio dei pulsanti + -.
- Premere il pulsante ⇐ per confermare la regolazione.



Dopo aver caricato i pellet, assicurarsi di chiudere il coperchio del serbatoio.

Quando si avvia la funzione "autonomia", selezionare l'icona del combustibile 🔥 usando i pulsanti freccia e ◀ ▶, quindi premere il pulsante "invia" ⇐. Quindi, utilizzando i pulsanti + - selezionare l'opzione „FULL” e premere il pulsante „Invia” ⇐.

Per disabilitare la funzione di autonomia, selezionare "OFF" invece di "FULL”.

8.2 ALIMENTAZIONE ELETTRICA

Collegare la stufa alla rete elettrica posizionando l'interruttore di accensione sul retro della stufa su "I" (fig. 8.2). L'accensione viene indicata da una serie di segnali acustici intermittenti e dall'illuminazione dello schermo.

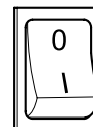


fig. 8.2



Se si prevede un lungo periodo di inattività, si consiglia di impostare l'interruttore sul retro della stufa in posizione OFF (O).



Quando si collega la stufa a una presa elettrica, fare attenzione a non toccare il pannello di controllo.

8.3 IMPOSTAZIONI INIZIALI

Prima di utilizzare la stufa, è necessario impostare la lingua, la data e l'ora correnti.

8.3.1 Impostazione di data e ora

Per modificare la data:

- Servirsi dei pulsanti ◀ ▶ selezionare il menu Configurazione ⚙️ e premere ⇐.
- Scegliere la voce "7" usando il pulsante + e confermare con il pulsante ⇐.
- Con l'ausilio del pulsante + scegliere il menu secondario [3] e confermare con il pulsante ⇐.
- Il parametro dell'ora inizia a lampeggiare, modificarlo con l'ausilio dei pulsanti + -, quindi premere il pulsante ▶.
- Il parametro dei minuti inizia a lampeggiare, modificarlo con l'ausilio dei pulsanti + -, quindi premere il pulsante ▶.
- Il parametro del giorno inizia a lampeggiare, modificarlo con l'ausilio dei pulsanti + -, quindi premere il pulsante ▶.
- Il parametro del mese inizia a lampeggiare, modificarlo con l'ausilio dei pulsanti + -, quindi premere il pulsante ▶.
- Il parametro dell'anno inizia a lampeggiare, modificarlo con l'ausilio dei pulsanti + -, quindi premere il pulsante ▶.
- Il parametro per il giorno della settimana corrente (lunedì = 1 ecc., domenica = 7) inizia a lampeggiare, modificarlo con l'ausilio dei pulsanti + -.
- Premere il pulsante ⇐, per confermare l'impostazione.

8 OPERAZIONI PRELIMINARI

8.1 RIEMPIMENTO DEL PELLETT





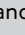


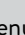
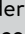
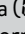
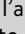
La prima cosa da fare prima di accendere la stufa è riempire il serbatoio del pellet.

I pellet devono essere versati nel serbatoio usando una paletta.

Non svuotare il sacchetto direttamente nel serbatoio per evitare di gettare segatura o corpi estranei che potrebbero interferire con il corretto funzionamento della stufa e per evitare la fuoriuscita di pellet all'esterno del serbatoio.


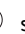

8.3.2 Impostazione della luminosità dello schermo








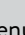

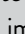
La luminosità dello schermo può essere regolata quando lo schermo è in modalità standby.

- Servirsi dei pulsanti   selezionare il menu Configurazione  e premere .
- Scegliere il pulsante "7" usando il pulsante  e confermare con il pulsante .
- Con l'ausilio del pulsante  scegliere il menu secondario [11] e confermare con il pulsante .
- Impostare la luminosità desiderata (OFF, da 1 a 5) con l'ausilio dei pulsanti  e , quindi confermare con il pulsante .


8.3.3 Impostazioni di visualizzazione

È possibile impostare gli oggetti da visualizzare quando lo schermo è in modalità standby.

Con i pulsanti a freccia   scegliere il menu di impostazione .








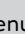

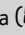

- Servirsi dei pulsanti   selezionare il menu Configurazione  e premere .
- Scegliere la voce "7" usando il pulsante  e confermare con il pulsante .
- Con l'ausilio del pulsante  scegliere il menu secondario [12] e confermare con il pulsante .
- Con l'ausilio dei pulsanti  e  impostare uno dei seguenti parametri:

- „OFF” • Il display indicherà l'ultima visualizzazione effettuata dal cliente.
- „1” • È possibile visualizzare ciclicamente tutti i parametri.
- „2” • È possibile visualizzare la temperatura (letta dal sensore della temperatura ambiente).
- „3” • È possibile visualizzare l'ora corrente.
- „4” • È possibile visualizzare le ore di funzionamento autonomo prima di ricaricare il serbatoio, se la funzione di riempimento è stata confermata.

- Premere il pulsante , per confermare l'impostazione.






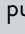

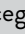
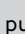


8.3.4 Impostazione del volume del segnale acustico

Il volume del segnale acustico può essere regolato secondo le esigenze.

- Servirsi dei pulsanti   selezionare il menu Configurazione  e premere .
- Scegliere la voce "7" usando il pulsante  e confermare con il pulsante .
- Con l'ausilio del pulsante  scegliere il menu secondario [13] e confermare con il pulsante .
- Impostare la luminosità desiderata (OFF, DA 1 A 5) ausilio dei pulsanti  e , quindi confermare con il pulsante .


8.3.5 Impostazione del tipo di pellet

È possibile impostare il tipo di pellet utilizzato.

- Servirsi dei pulsanti   selezionare il menu Configurazione  e premere .
- Scegliere la voce "7" usando il pulsante  e confermare con il pulsante .
- Con l'ausilio del pulsante  scegliere il menu secondario [14] e confermare con il pulsante .
- Con l'ausilio dei pulsanti  e  impostare uno dei seguenti parametri:
 - „1” • Standard
 - „2” • Pellet medio
 - „3” • Pellet grande
- Premere il pulsante , per confermare l'impostazione.

9 UTILIZZO DELLA STUFA

9.1 ACCENSIONE

Per accendere la stufa, premere il pulsante  per qualche secondo.

L'icona della fiamma inizia a lampeggiare durante la fase di accensione e poi si illumina con luce fissa per indicare che la stufa è accesa.



Accensione automatica: la stufa è dotata di un dispositivo automatico che consente di accendere i pellet senza la tradizionale accensione.

Non accendere manualmente la stufa se il dispositivo di accensione automatico è danneggiato.

Quando la stufa viene accesa per la prima volta, possono essere rilasciati odori sgradevoli a causa dell'evaporazione o dell'essiccazione di alcuni materiali costruttivi. Questi odori scompaiono con il tempo.

Si consiglia di ventilare bene gli ambienti durante la prima accensione.

Non lasciare aperta lo sportello del sistema di combustione per evitare una situazione in cui il sensore di chiusura rileva la porta aperta e fa scattare un allarme acustico.


9.2 MODIFICA DEI PARAMETRI

I parametri di funzionamento della stufa possono essere modificati, come descritto nel capitolo 7.3.



Le impostazioni rimangono invariate fino a quando non vengono modificate, anche se la stufa viene spenta o scollegata dall'alimentazione.

9.3 SPEGNIMENTO

Per spegnere la stufa, premere il pulsante  per alcuni secondi; l'icona della fiamma si spegne.



Per accendere nuovamente la stufa, attendere che si sia completamente raffreddata.



Si consiglia di spegnere la stufa secondo le istruzioni precedenti e di non spegnerla mai scollegando l'alimentazione.

9.4 FUNZIONAMENTO CON TERMOSTATO AMBIENTE

Se la stufa è controllata da un termostato esterno (o cronotermostato), l'installatore deve programmare la configurazione 2. In questa configurazione, la stufa si spegne quando viene attivato il termostato esterno (circuitto aperto).

La stufa si riaccenderà automaticamente quando la temperatura scende al di sotto del valore impostato sul termostato esterno (circuitto chiuso).



Quando la stufa viene accesa per la prima volta o dopo che è stata spenta tramite il pannello di controllo (pulsante) deve essere nuovamente accesa tramite il tastierino di comando.

La stufa si spegnerà anche se la temperatura continua ad aumentare nonostante la modulazione. In questo caso, la stufa si accenderà solo quando la differenza tra il valore di temperatura selezionato e quello effettivo è superiore a 20°C.

9.5 FUNZIONAMENTO CON IL SENSORE DI TEMPERATURA AMBIENTE INSTALLATO SULLA STUFA

La stufa può essere accesa/spenta manualmente o in modo programmato.

La stufa modula la sua potenza in base alla temperatura ambiente rilevata dal sensore situato sulla stufa (la stufa mantiene la temperatura impostata con un consumo minimo).

Se la funzione "Modalità Eco" è stata attivata, invece di modulare la sua potenza, la stufa si spegnerà al raggiungimento della temperatura impostata e si accenderà di nuovo quando la temperatura nella stanza scenderà al di sotto del delta impostato (vedere il capitolo 10.3).

È possibile impostare la temperatura ambiente desiderata nel menu della temperatura .

9.6 CONDIZIONI RELATIVE L'ASPIRAZIONE

Il funzionamento continuo con potenza minima, specialmente durante i periodi di disgelo (aspirazione sfavorevole) favorisce il deposito di fuliggine e catrame:

- modificare successivamente i periodi di funzionamento con potenza minima con i periodi di funzionamento con potenza massima.

10 FUNZIONI DISPONIBILI

10.1 FUNZIONE "TIMER"

Questa funzione consente di programmare e assegnare programmi personalizzati a diversi giorni della settimana per accendere e/o spegnere automaticamente la stufa.

È possibile impostare fino a sei programmi personalizzati.

Per ogni programma, è possibile impostare l'ora di accensione e spegnimento, nonché la temperatura desiderata.

È possibile assegnare fino a 3 programmi per ogni giorno della settimana.

I giorni della settimana sono numerati da 1 a 7: lunedì = "d1", martedì = "d2", ecc., domenica = "d7".

10.1.1 Impostazione dei programmi

- Servirsi dei pulsanti selezionare il menu Configurazione e premere .
- Scegliere la voce "7" usando il pulsante e confermare con il pulsante .
- Selezionare il menu secondario e confermare con il pulsante .
- Con l'ausilio dei pulsanti scorrere i programmi *P 1-PE*. Con il pulsante selezionare il programma che si desidera modificare.
- Il parametro dell'ora di accensione inizierà a lampeggiare. Modificare il parametro con l'ausilio dei pulsanti , quindi premere il pulsante .
- Il parametro dei minuti inizia a lampeggiare. Modificare il parametro con l'ausilio dei pulsanti , quindi premere il pulsante .
- Il parametro dell'ora di spegnimento inizia a lampeggiare. Modificare il parametro con l'ausilio dei pulsanti , quindi premere il pulsante .
- Il parametro dei minuti inizia a lampeggiare. Modificare il parametro con l'ausilio dei pulsanti , quindi premere il pulsante .
- Il parametro della temperatura desiderata inizia a lampeggiare. Modificare il parametro con l'ausilio dei pulsanti , quindi premere il pulsante .
- Premere il pulsante , per confermare l'impostazione.

10.1.2 Assegnazione dei programmi ai giorni della settimana

Questa funzione consente di assegnare fino a 3 programmi diversi a un determinato giorno.

- Servirsi dei pulsanti selezionare il menu Configurazione e premere .
- Scegliere la voce "7" usando il pulsante e confermare con il pulsante .
- Selezionare il menu secondario e confermare con il pulsante .
- Con i pulsanti scegliere il giorno *[D1]-[D7]* a cui si desidera assegnare i programmi.
- Seleziona il programma con il pulsante .
- Il parametro del primo programma assegnato inizia a lampeggiare: *P 1-PE* o „OFF”, per disattivarlo.
- Modificare il parametro con l'ausilio dei pulsanti , quindi premere il pulsante .
- Il parametro del secondo programma da assegnare inizia a lampeggiare: *P 1-PE* o „OFF”, per disattivarlo.
- Modificare il parametro con l'ausilio dei pulsanti , quindi premere il pulsante .
- Il parametro del terzo programma da assegnare inizia a lampeggiare: *P 1-PE* o „OFF”, per disattivarlo.
- Modificare il parametro con l'ausilio dei pulsanti , quindi premere il pulsante per confermare l'impostazione.

10.1.3 Attivazione/disattivazione del timer

- Con i pulsanti a freccia scegliere il menu Timer ;
- Confermare con il pulsante .
- Con i pulsanti di scorrimento e selezione: "ON" per attivare il timer o "OFF" per disattivarlo.
- Premere il pulsante per confermare la scelta.

Quando il timer è in esecuzione, l'icona viene visualizzata come fissa.

10.2 FUNZIONE ECONOMICA „MODALITÀ ECO”

Questa funzione consente di spegnere la stufa al raggiungimento della temperatura ambiente programmata. Se questa funzione non è attiva, la stufa modulerà il suo funzionamento per mantenere la temperatura impostata con un consumo minimo. La funzione "Eco Mode" è disponibile solo nella configurazione 1.

Per attivare/disattivare questa funzione:

- Servirsi dei pulsanti selezionare il menu Configurazione e premere .
- Scegliere la voce "7" usando il pulsante e confermare con il pulsante .
- Selezionare il menu secondario [7] e confermare con il pulsante .
- Con l'ausilio dei pulsanti impostare uno dei seguenti parametri:
 - ECO → Convalida della funzione „Modalità Eco”
 - OFF → Disattivazione della funzione „Modalità Eco”
- Premere il pulsante , per confermare l'impostazione.

10.3 FUNZIONE „DELTA DI RIACCENSIONE”

Il delta di riaccensione è il numero di gradi al di sotto della temperatura di spegnimento oltre la quale la stufa si riaccenderà automaticamente. Ad esempio, se la stufa è programmata per spegnersi a 20°C (modalità Eco attivata) e "Delta di riaccensione" è impostato su 4°C, la stufa si riaccenderà quando viene rilevata una temperatura di 16°C o inferiore.

Per modificare il valore di riaccensione Delta desiderato:

- Servirsi dei pulsanti selezionare il menu Configurazione e premere .
- Scegliere la voce "7" usando il pulsante e confermare con il pulsante .
- Selezionare il menu secondario [8] e confermare con il pulsante .
- Il parametro inizia a lampeggiare, modificarlo con i pulsanti e (0,5°C ... 5,0°C).
- Premere il pulsante , per confermare.

10.4 FUNZIONE „AUTONOMIA”

Questa funzione consente di registrare il riempimento del serbatoio con pellet. Utilizzare i pulsanti freccia per selezionare l'icona , sullo schermo verrà visualizzato il numero stimato di ore di funzionamento autonomo prima che sia richiesto il riempimento del pellet. L'autonomia viene calcolata in base ai parametri impostati in quel momento sulla stufa.

I valori stimati sono sufficientemente affidabili, a condizione che sia selezionato "FULL" e che venga confermato ogni riempimento di pellet. Il valore „Lo” indica lo stato di riserva.

10.5 FUNZIONE „RIFORNITURA”

Questa funzione consente di registrare il riempimento del serbatoio con pellet.

In questo modo, in base ai parametri operativi, la stufa è in grado di calcolare le ore di autonomia prima che sia necessario riempire il serbatoio.

Una volta che il serbatoio del pellet sarà completamente pieno:

- Utilizzare i pulsanti freccia selezionare l'icona del combustibile , quindi premere il pulsante di invio .
- Utilizzando i pulsanti selezionare l'opzione „FULL” e premere il pulsante di invio .

Per disabilitare questa funzione, selezionare „OFF” invece di „FULL”.

10.6 RIACCENSIONE IN SEGUITO A ERRORE DI ALIMENTAZIONE

A seguito di un'interruzione di corrente, la stufa si riaccenderà automaticamente ed eseguirà un'autodiagnosi dopo il ripristino dell'alimentazione.

10.7 FUNZIONE DI „BLOCCO TASTIERINO”

Questa funzione consente di bloccare il tastierino al fine di evitare modifiche involontarie.

Per attivare/disattivare questa funzione:

- Servirsi dei pulsanti selezionare il menu Configurazione e premere .
- Scegliere la voce "7" usando il pulsante e confermare con il pulsante .
- Selezionare il menu secondario [10] e confermare con il pulsante .
- Con l'ausilio dei pulsanti impostare uno dei seguenti parametri:
 - „OFF” Convalida della funzione „Modalità Eco”
 - „LO” Solo il pulsante di accensione/spegnimento è attivo
 - „HI” Blocco tastierino abilitato
- Premere il pulsante , per confermare l'impostazione.

10.8 TEMPERATURA MINIMA





(solo nella configurazione 1)

È possibile programmare la temperatura minima al di sotto della quale la stufa si accenderà (al di fuori degli intervalli di tempo programmati). Per modificare il parametro della temperatura "minima":

- Servirsi dei pulsanti selezionare il menu Configurazione e premere .
- Scegliere la voce "7" usando il pulsante e confermare con il pulsante .
- Selezionare il menu secondario [9] e confermare con il pulsante .
- Il parametro inizia a lampeggiare, modificarlo con i pulsanti (OFF; 3-20°C).
- Premere il pulsante , per confermare l'impostazione.


11 GESTIONE DEGLI ALLARMI

L'errore viene segnalato mediante la seguente procedura:

- 1) segnale acustico (bip),
- 2) illuminazione di una delle seguenti icone:   ,
- 3) in caso di allarme la stufa si spegnerà,
- 4) tenendo premuto il pulsante „Annulla”  viene visualizzato il codice di allarme:

| Codice ALLARME / MESSAGGIO | DESCRIZIONE | POSSIBILI CAUSE | LED |
|----------------------------|---|---|---|
| E001 | Tastierino di comando dell'utente | Danneggiamento del tastierino di comando |  |
| E002 | Segnale del telecomando non ricevuto | Danneggiamento del tastierino di comando |  |
| E004 | Connessione interrotta | Rimozione o scollegamento del cavo che collega la scheda al tastierino di comando. Ignora questo allarme se viene visualizzato durante la modifica della configurazione. |  |
| E101 | Accensione non riuscita | Pellet mancante Qualità del pellet Guasto al sistema di accensione Griglia sporca |  |
| E105 | Allarme sensore pellet | Sensore pellet danneggiato o scollegato |  |
| E108* | Errore interruttore di sicurezza | Sensore/i collegato/i a I01 (rif. schema elettrico) Problemi di surriscaldamento del serbatoio pellet Sensore collegato aperto |  |
| E109 | Errore di pressione o di sicurezza elettrica | Sensore/i collegato/i a I02 (rif. schema elettrico) Sistema di evacuazione fumi sporco Guarnizioni di tenuta logorate Aria comburente insufficiente |  |
| E110 | Guasto sensore di temperatura | Sensore aria difettoso |  |
| E111 | Guasto sensore di fumo | Sensore di temperatura del fumo difettoso |  |
| A001 | Livello pellet insufficiente (icona lampeggiante) | Pellet in esaurimento |  |
| A002 | Avviso di manutenzione programmata (icone lampeggianti) | La stufa richiede una manutenzione regolare che deve essere eseguita da personale specializzato. |  |
| A004 | Batteria scarica | La batteria tampone (mod. CR2032) a bordo della scheda elettronica è scarica |  |
| A005 | Malfunzionamento sensore di Hall | Sensore di Hall del ventilatore fumi scollegato o |  |
| A007 | Guasto del sensore di pressione (icona lampeggiante) | difettoso |  |
| ---- | Pulizia della stufa | Camera di combustione sporca, griglia o sistema di estrazione del fumo. Linee di lettura della pressione sporche o scollegate. Contaminazione della presa dell'aria di combustione. |  |
| ---- | Accensione non riuscita | Pelle assente; accenditore danneggiato; guarnizioni usurate; impostazione errata della griglia |  |

* Solo per i modelli dotati di microinterruttori di sicurezza nello sportello o sul coperchio del serbatoio.

Dopo aver verificato il messaggio di allarme, è possibile cancellarlo premendo per alcuni secondi il  pulsante di accensione/ spegnimento.

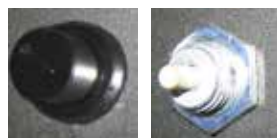


fig. 11.1

Se viene visualizzato il codice „E109” accendere manualmente il termostato situato sul retro della stufa e quindi rimuovere l'allarme (fig. 11.1) (operazione deve essere eseguita secondo le istruzioni di un rivenditore autorizzato). La stufa può essere nuovamente accesa.

12 MANUTENZIONE

12.1 MISURE DI SICUREZZA

Prima di eseguire qualsiasi intervento di manutenzione, procedere come segue:

- Verificare che tutte le parti della stufa siano fredde.
- Verificare che le ceneri siano completamente spente.
- Indossare i dispositivi di protezione individuale definiti nella Direttiva 89/391/CEE.
- Verificare che l'interruttore principale sia spento.
- Verificare che l'alimentazione non possa essere ripristinata accidentalmente, scollegare la spina dalla presa.
- Utilizzare sempre strumenti adatti per le operazioni di manutenzione.
- Al termine della manutenzione, reinstallare tutti i coperchi e riattivare tutti i dispositivi di sicurezza prima di riavviare la stufa.



L'uso di un aspirapolvere appropriato (modello industriale) può facilitare la pulizia della cenere.

12.2 MANUTENZIONE ORDINARIA A CARICO DELL'UTENTE

12.2.1 Pulizia interna del sistema di combustione

La stufa richiede una pulizia semplice ma frequente per garantire un funzionamento efficiente e regolare.



Questa pulizia deve essere eseguita a stufa spenta e fredda.

Aprire lo sportello della stufa con la maniglia (fig. 12.1). Rimuovere la cenere depositata nella stufa.

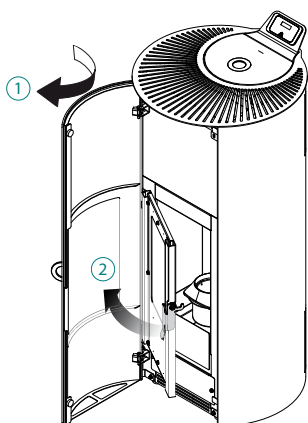


fig. 12.1

Lo scopo di questa pulizia è garantire la circolazione dell'aria di combustione attraverso le aperture della GRIGLIA.

Sollevare, rimuovere la griglia e pulire le superfici e l'interno della stufa (fig. 12.2).

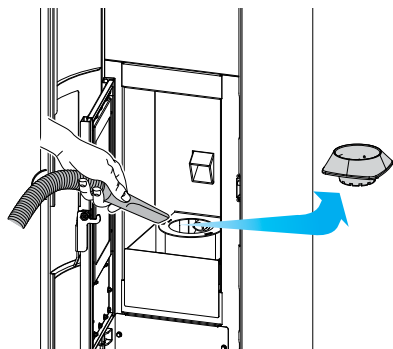


fig. 12.2

Reinserire la griglia, assicurandosi che rimanga perfettamente in posizione.

12.2.2 Pulizia del cassetto portaceneri

Il cassetto portaceneri deve essere pulito settimanalmente o più frequentemente, se necessario.

Per accedere al ceneraio, aprire lo sportello del cassetto e rimuoverlo (fig. 12.3).

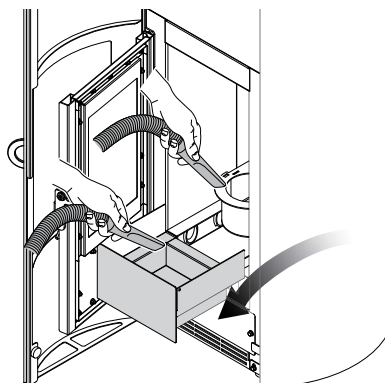


fig. 12.3

Svuotare il cassetto nel raccoglitore della cenere in metallo e aspirare la cenere dal cassetto.

Reinserire il cassetto. Chiudere lo sportello.

12.2.3 Pulizia dell'alloggiamento del collettore del fumo

La camera del fumo deve essere pulita ogni 3 mesi o secondo necessità.

Utilizzare la spazzola flessibile per pulire i 4 tubi dello scambiatore di calore situati nella camera di combustione (contrassegnati da puntini) (fig. 12.4).

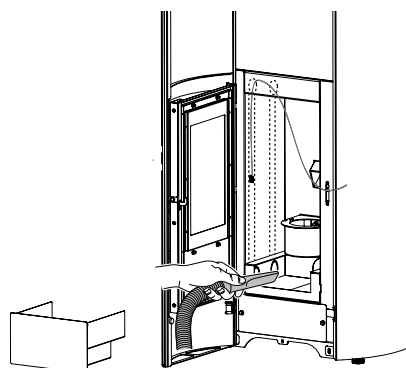


fig. 12.4

Eventuali residui che cadono nel collettore del fumo devono essere rimossi con un aspirapolvere per cenere.

12.2.4 Pulizia dello sportello a vetri

La stufa è dotata di un esclusivo sistema autopulente sullo sportello a vetri, il che riduce la frequenza di manutenzione.

Tuttavia, nel tempo e in base alle condizioni di funzionamento e al tipo di granuli utilizzato, lo sportello a vetri deve essere pulito a mano.

Questa operazione deve essere eseguita con un panno umido o carta inumidita e immersa nella cenere (fig. 12.5).

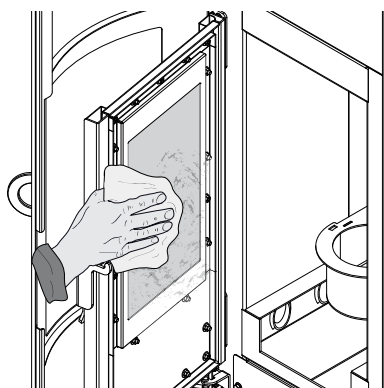


fig. 12.5

Pulire il vetro fino a quando non sarà pulito. Non pulire lo sportello di vetro mentre la stufa è in funzione e non utilizzare spugne abrasive. Non bagnare la guarnizione dello sportello poiché ciò ne accelererà l'usura.

12.2.5 Pulizia delle canne fumarie

La canna fumaria deve essere pulita almeno due volte l'anno - all'inizio e nel mezzo della stagione invernale - e quando necessario. In presenza di tratti di cavo orizzontali, controllare e rimuovere i depositi di cenere e fuliggine prima che ostruiscano la canna fumaria.

Una pulizia inadeguata o la negligenza nella pulizia causano problemi nel funzionamento della stufa, come ad esempio:

- combustione inadeguata,
- annerimento del vetro,
- contaminazione della griglia con cenere e sedimenti di pellet,
- depositi di ceneri e sedimenti sullo scambiatore che causano scarse prestazioni.

12.2.6 Pulizia dell'alloggiamento

Pulire l'alloggiamento della stufa con un panno asciutto e non abrasivo.



Non utilizzare detergenti e non pulire a stufa calda.

12.2.7 Pulizia della griglia del ventilatore

Alla base della stufa e fissata una griglia a protezione del ventilatore. Pulire la griglia almeno una volta all'anno.


12.2.8 Connessione elettrica

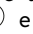
Se il cavo di alimentazione è danneggiato, deve essere sostituito da un tecnico qualificato per evitare qualsiasi rischio di scosse elettriche.

12.3 MANUTENZIONE STRAORDINARIA

La stufa a pellet è un generatore di calore alimentato a combustibile solido e come tale richiede una manutenzione annuale straordinaria che dovrebbe essere eseguita da un manutentore JØTUL autorizzato una volta all'anno, preferibilmente all'inizio della stagione di utilizzo del riscaldamento.

Lo scopo di questa manutenzione è verificare che tutte le parti funzionino correttamente.

Se le icone  appaiono contemporaneamente sul tastierino di comando, contattare immediatamente un manutentore autorizzato per una manutenzione straordinaria della stufa.

Questo avviso può essere temporaneamente annullato premendo il pulsante  e quindi la stufa può essere riaccesa senza problemi. Questo avviso verrà visualizzato fino a quando non verrà eseguita la manutenzione straordinaria da parte di un manutentore autorizzato e le ore di funzionamento non saranno state ripristinate.

PIANO DI CONTROLLO E/O MANUTENZIONE

| | A OGNI ACCENSIONE o più frequentemente se necessario | OGNI SETTIMANA o più frequentemente se necessario | OGNI 3 MESI o più frequentemente, se necessario | OGNI ANNO o più frequentemente se necessario |
|---|---|---|--|---|
| Braciere | X | | | |
| Coperchio dell'accenditore | | X | | |
| Sistema di combustione e ceneraio | | X | | |
| Vetro | | X | | |
| Scambiatori e collettori del fumo | | | X | |
| Guarnizione dello sportello e del braciere* | | | | X |
| Filtri* | | | | X |
| Tube di scarico fumi* | | | X | |
| Estrazione e ventilatore | | | | X |

(*) far eseguire a un installatore autorizzato.



La manutenzione straordinaria deve essere eseguita ogni 2000 ore di funzionamento della stufa.

13 SMALTIMENTO E ROTTAMAZIONE

Il proprietario è l'unico responsabile dello smaltimento e della rottamazione della stufa e dovrà agire in conformità con le norme di sicurezza e protezione ambientale in vigore nel proprio Paese.

Lo smaltimento e la rottamazione della stufa possono essere affidati a terzi, a condizione che siano enti autorizzati a raccogliere e trattare tali rifiuti.



ATTENZIONE: applicare sempre la legislazione in vigore nel Paese in cui vengono trattati i rifiuti e, se applicabile, applicare sempre la dichiarazione di rottamazione.



ATTENZIONE: Tutte le attività relative allo smaltimento devono essere eseguite a stufa spenta e scollegata dall'alimentazione elettrica.

- Rimuovere tutti i componenti elettrici.
- Differenziare le batterie fornite nelle schede elettroniche.
- Utilizzare i servizi di aziende specializzate durante lo smaltimento della struttura della stufa.

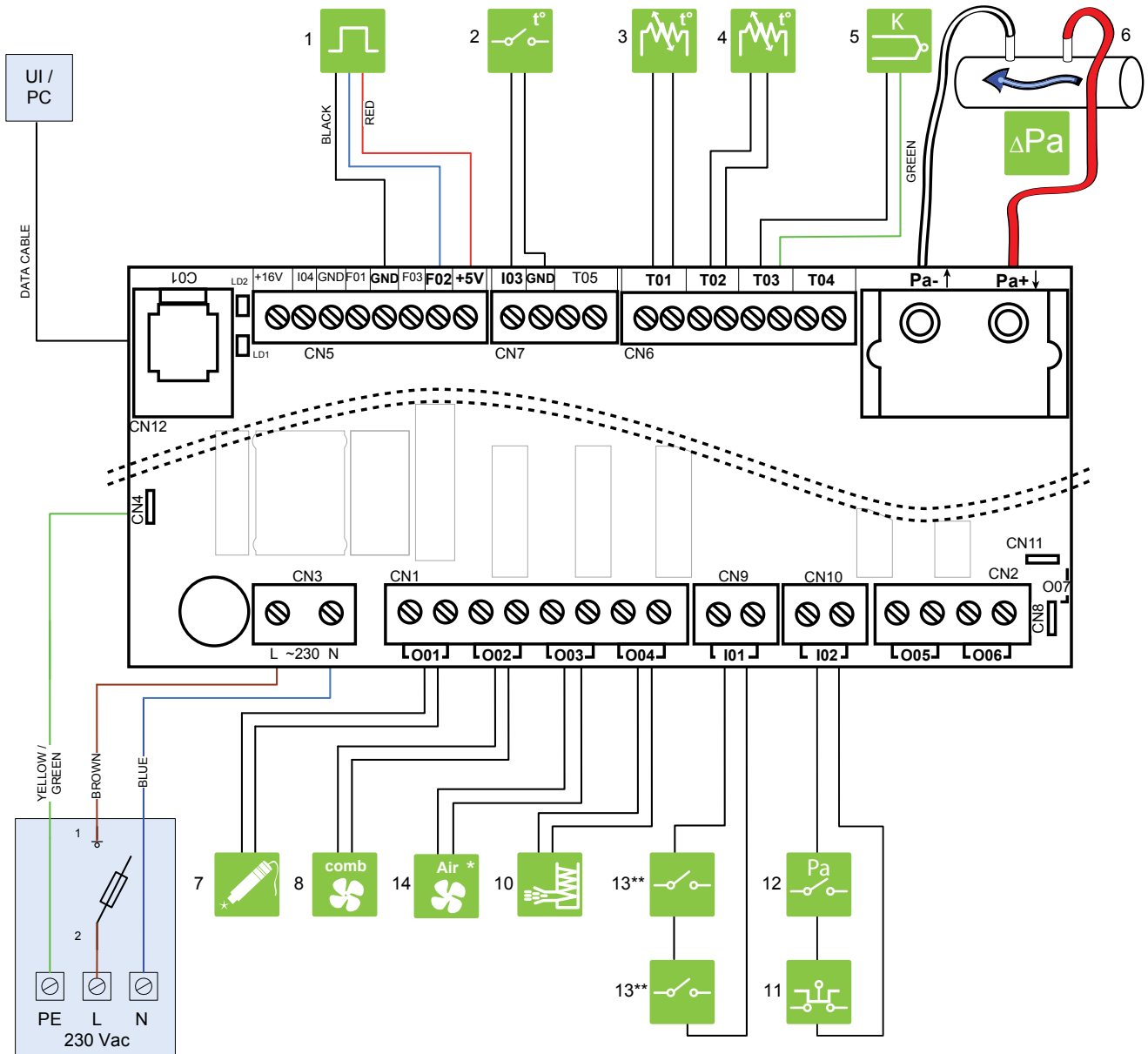


ATTENZIONE: è vietato gettare la stufa in luoghi non previsti a tale scopo, poiché costituirebbe un grave rischio per le persone e gli animali.

In caso di danni a persone e animali, la responsabilità spetta sempre al proprietario.

Durante lo smaltimento, distruggere la marcatura CE, il presente manuale e altri documenti relativi alla stufa.

SCHEMA DI COLLEGAMENTO ELETTRICO JØTUL PF 721 V2



| | | | | | | | | |
|--|---|---------------------------------|--|----|------------------------------------|--|----|-----------------------|
| | 1 | SENSORE HALL | | 6 | SENSORE DI PRESSIONE DIFFERENZIALE | | 12 | PRESSOSTATO |
| | 2 | TERMOSTATO AMBIENTE | | 7 | ACCENDITORE | | 13 | SENSORE SPORTELLO |
| | 3 | SENSORE DI TEMPERATURA AMBIENTE | | 8 | VENTOLA DI ESTRAZIONE | | | VENTILATORE AMBIENTE* |
| | 4 | SENSORE PELLETTA | | 10 | SISTEMA DI ALIMENTAZIONE | | | TASTIERINO DI COMANDO |
| | 5 | SENSORE DI FUMO | | 11 | TERMOSTATO DI SICUREZZA | | | |

DATI TECNICI

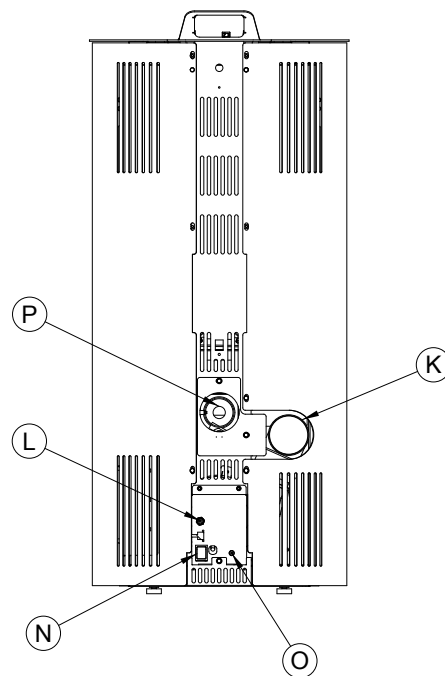
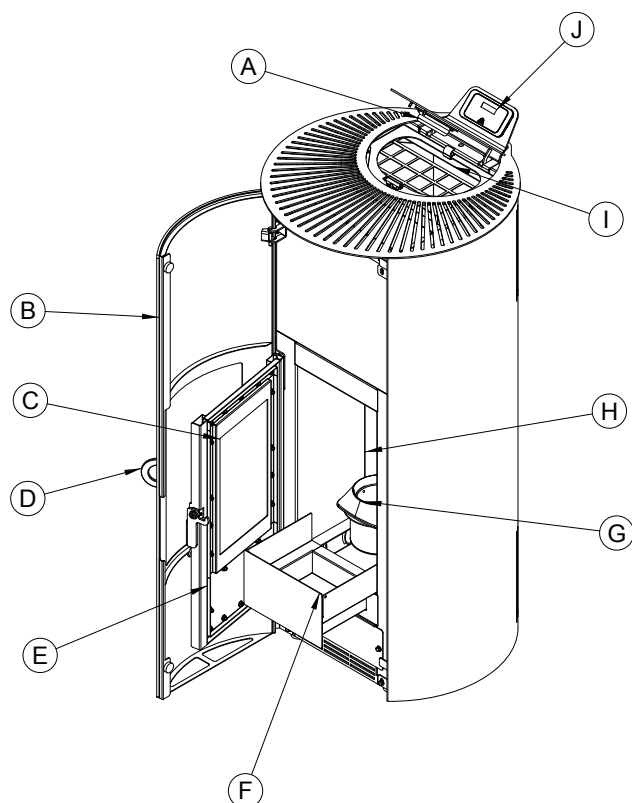
JØTUL PF 721 V2

(in conformità con la norma EN 14785)

| | Min | Max |
|--|------------------------|-----------------------|
| *Potenza termica totale | 2,9 kW | 7 kW |
| Efficienza | 92,3 % | 89 % |
| Temperatura del fumo | 85,8 °C | 193,7 °C |
| Portata di fumo | 3,47 g/s | 4,6 g/s |
| Consumo orario | 0,628 kg/h | 1,615 kg/h |
| Emissioni CO (13% O ₂) | 151 mg/Nm ³ | 26 mg/Nm ³ |
| Diametro uscita del fumo | Ø 8 cm | |
| Diametro del raccordo della presa d'aria | Ø 6 cm | |
| Peso | 100 kg | |
| Combustibile | Pellets | |
| Capacità serbatoio di alimentazione | 18 kg | |
| Tiraggio consigliato del camino | 12(±2) Pa | |
| Per calcolare le dimensioni della canna fumaria, utilizzare: | 0.0 Pa | |
| Cubatura min. della stanza in cui è installata la stufa | 30 m ³ | |

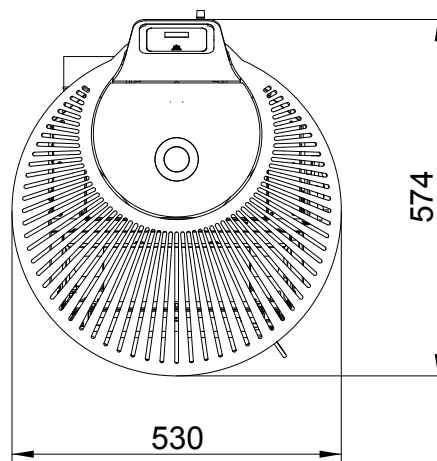
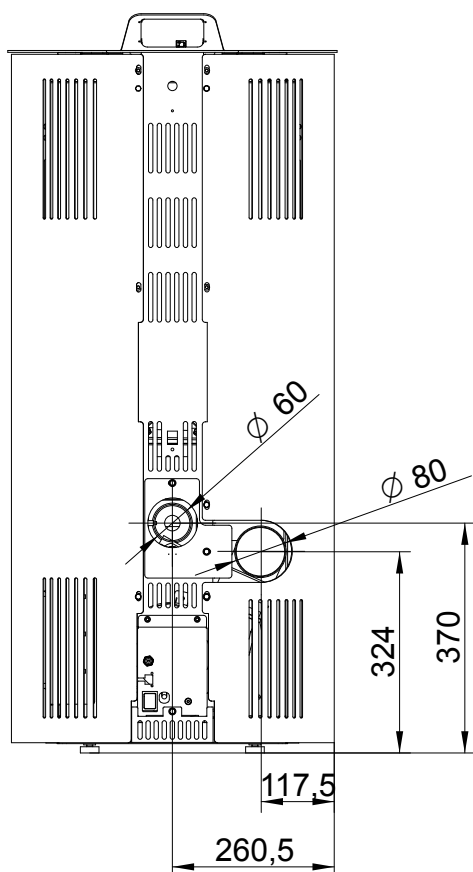
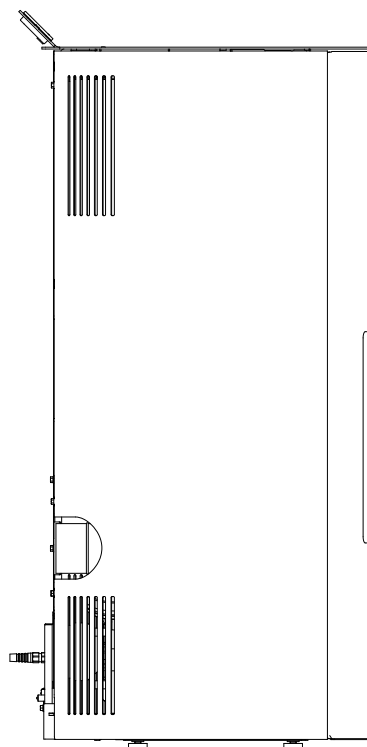
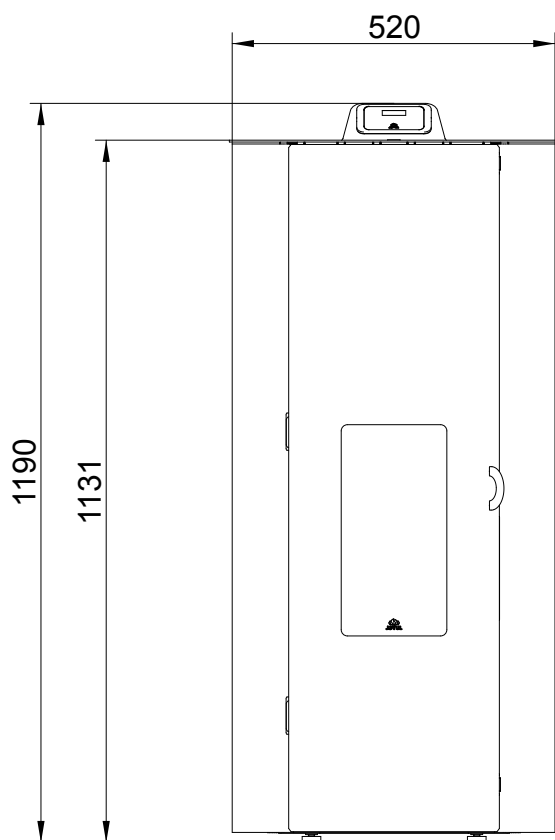
| NORME ELETTRICHE | |
|---|-------|
| Tensione | 230 V |
| Frequenza | 50 Hz |
| Massimo consumo di energia durante il funzionamento | 110 W |
| Accensione elettrica | 380 W |

DESCRIZIONE



| | |
|---|---|
| A | COPERCHIO SERBATOIO |
| B | SPORTELLINO DECORATIVO |
| C | FINESTRA SPORTELLINO |
| D | MANIGLIA |
| E | SPORTELLINO DEL SISTEMA DI COMBUSTIONE |
| F | CASSETTO PORTACENERE |
| G | BRACIERE |
| H | PIASTRE INTERNE |
| I | SERBATOIO PELLETTI |
| J | PANNELLO |
| K | TUBO DI SCARICO FUMI |
| L | SENSORE DI TEMPERATURA AMBIENTE |
| N | INTERRUTTORE PRINCIPALE |
| O | TERMOSTATO DI SICUREZZA CON RESET MANUALE |
| P | TUBO ARIA DI COMBUSTIONE |

DIMENSIONI JØTUL PF 721 V2



ETICHETTA CE

JØTUL PF 721 V2

JØTUL FRANCE SAS - 3, Chemin du Jubin – F-69574 Dardilly Cedex

EN 14785:2006

DOP Nr.004723327 – N. B. 2456



Type: JØTUL PF 721

Matr. N° LT000000000000000012345

| | | | |
|--|---------------------------|----------------|--------------------------|
| Fuel type Combustibile | F | Pellet | |
| Nominal heat input Potenza Massima di ingresso | Plmax | 7,86 | kW |
| Reduced heat input Potenza Minima di ingresso | Plmin | 2,4 | kW |
| Nominal heat output Potenza termica nominale all'ambiente | Pmax | 7 | kW |
| Reduced heat output Potenza termica ridotta all'ambiente | Pmin | 2,2 | kW |
| Efficiency at nominal heat output Rendimento alla nominale | EFFmax | 89 | % |
| Efficiency at reduced heat output Rendimento alla potenza ridotta | EFFmin | 91,28 | % |
| CO Emissions at nominal heat output (13% O ₂) Emissioni di CO alla potenza nominale (13% O ₂) | COmax(13%O ₂) | 25,9 0,002 | mg/Nm ³ % |
| CO Emissions at partial heat output (13% O ₂) Emissioni di CO alla potenza ridotta (13% O ₂) | COmin(13%O ₂) | 353,7 0,028 | mg/Nm ³ %% |
| Flue gas temperature Temperatura Fumi | Tf | 193,7 | °C |
| Minimum distance to combustible materials Distanza minima da materiali infiammabili | X1/X2/Y | 800/150/200 | mm |
| Voltage Tensione | V | 230 | V |
| Frequency Frequenza | f | 50 | Hz |
| Maximum power absorbed when working Potenza Max assorbita in funzionamento | Wmin | 80 | W |
| Maximum power absorbed for ignition Potenza Max assorbita in accensione | Wmax | 380 | W |
| Dust Polvere | P | 9,4 | mg/Nm ³ |
| PIN: 7 | | | |

Read and follow the user's instructions
 Leggere e seguire il manuale di istruzioni
 Use only recommended fuel
 Usare solo il combustibile raccomandato

| | | | |
|--|-----------|--|-----------|
| 1 WSTĘP | 47 | 9 UŻYTKOWANIE PIECA | 57 |
| 1.1 Symbole | 47 | 9.1 Rozpalanie..... | 57 |
| 1.2 Użytkowanie | 47 | 9.2 Modyfikacja parametrów..... | 57 |
| 1.3 Cele i treść instrukcji | 47 | 9.3 Wygaszenie | 57 |
| 1.4 Przechowywanie instrukcji | 47 | 9.4 Praca z termostatem pokojowym | 57 |
| 1.5 Aktualizacja instrukcji | 47 | 9.5 Praca z czujnikiem temperatury zainstalowanym na piecu | 58 |
| 1.6 Informacje ogólne | 47 | 9.6 Warunki dotyczące ciągu..... | 58 |
| 1.7 Główne referencyjne normy bezpieczeństwa..... | 47 | 10 DOSTĘPNE FUNKCJE | 58 |
| 1.8 Gwarancja ustawowa..... | 48 | 10.1 Funkcja „timer” | 58 |
| 1.9 Ograniczenia odpowiedzialności producenta..... | 48 | 10.2 Funkcja ekonomiczna „eco mode” | 59 |
| 1.10 Cechy użytkownika..... | 48 | 10.3 Funkcja „delta ponowne rozpalenie” | 59 |
| 1.11 Pomoc techniczna..... | 48 | 10.4 Funkcja „autonomia” | 59 |
| 1.12 Części zamienne..... | 48 | 10.5 Funkcja „uzupełnianie” | 59 |
| 1.13 Tabliczka znamionowa | 48 | 10.6 Ponowne rozpalenie po awarii zasilania | 59 |
| 1.14 Dostawa pieca | 48 | 10.7 Funkcja „blokada klawiatury” | 59 |
| 2 ZASADY BEZPIECZEŃSTWA | 48 | 10.8 Minimalna temperatura..... | 59 |
| 2.1 Wskazówki dla instalatora | 48 | 11 ZARZĄDZANIE ALARMAMI | 60 |
| 2.2 Ostrzeżenia dla użytkowników..... | 49 | 12 KONSERWACJA | 61 |
| 3 WŁAŚCIWOŚCI PALIWA | 50 | 12.1 Środki bezpieczeństwa | 61 |
| 3.1 Właściwości paliwa | 50 | 12.2 Konserwacja zwykła wykonywana przez użytkownika | 61 |
| 3.2 Przechowywanie pelletu | 50 | 12.3 Konserwacja nadzwyczajna..... | 62 |
| 4 TRANSPORT I PRZEŁADUNEK | 51 | 13 UTYLIZACJA I ZŁOMOWANIE | 62 |
| 4.1 Zdjęcie pieca z palety transportowej | 51 | SCHEMAT PODŁĄCZENIA ELEKTRYCZNEGO | 63 |
| 5 PRZYGOTOWANIE MIEJSCA INSTALACJI | 51 | DANE TECHNICZNE | 64 |
| 5.1 Uwagi ogólne | 51 | OPIS | 65 |
| 5.2 Miejsce instalacji pieca | 52 | WYMIARY | 66 |
| 5.3 Powietrze do spalania..... | 52 | ETYKIETA CE | 67 |
| 5.4 Odprowadzanie dymu..... | 52 | | |
| 6 INSTALACJA | 53 | | |
| 6.1 Wypoziomowanie pieca | 53 | | |
| 6.2 Podłączenia | 53 | | |
| 6.3 Konfiguracja początkowa..... | 54 | | |
| 7 OPIS PIECA | 54 | | |
| 7.1 Klawiatura sterująca..... | 54 | | |
| 7.2 Użycie klawiatury sterującej..... | 55 | | |
| 7.3 Parametry działania..... | 56 | | |
| 8 CZYNNOŚCI WSTĘPNE | 56 | | |
| 8.1 Napełnianie pelletem..... | 56 | | |
| 8.2 Zasilanie elektryczne..... | 56 | | |
| 8.3 Ustawienia wstępne | 56 | | |

1 WSTĘP

Urządzenia grzewcze Jøtul (zwane dalej piecami na pellet) są konstruowane i montowane zgodnie z przepisami bezpieczeństwa określonymi w odpowiednich dyrektywach europejskich.

Niniejsza instrukcja jest przeznaczona dla użytkowników, instalatorów, monterów i konserwatorów pieców. W razie wątpliwości co do treści niniejszej instrukcji oraz w celu uzyskania wyjaśnień należy skontaktować się z producentem lub autoryzowanym sprzedawcą, podając numer rozdziału, którego dotyczy pytanie.

Drukowanie, tłumaczenie i powielanie, nawet częściowe, tego dokumentu wymaga pisemnej zgody spółki JØTUL.

Informacje techniczne, przedstawienia graficzne i szczegółowe zawarte w niniejszej instrukcji nie mogą być udostępniane osobom trzecim.

Jeśli instalator lub monter nie zrozumieli w pełni tego, co zostało podane w niniejszej instrukcji, nie powinni obsługiwać pieca. W razie wątpliwości należy zawsze zwrócić się o pomoc do technika autoryzowanego przez JØTUL.

JØTUL zastrzega sobie prawo do wprowadzania w dowolnym momencie, bez uprzedniego powiadomienia, zmian technicznych i/lub funkcjonalnych w piecu.

1.1 SYMBOLE

W niniejszej instrukcji najważniejsze wskazówki, instrukcje lub zalecenia są oznaczone jednym z poniższych symboli:



Wskazówki dotyczące prawidłowego użytkowania pieca oraz obowiązków osób wykonujących czynności na piecu.



Wskazówki dotyczące przestrzegania zasad bezpieczeństwa użytkowania i eksploatacji.

1.2 UŻYTKOWANIE



Piec JØTUL jest przeznaczony do ogrzewania wnętrza domu. Jest on zaawansowany technologicznie i jest opalany pelletem drzewnym w automatycznym trybie pracy.

Spalanie włącza się tylko wtedy, gdy drzwi pieca są zamknięte.

Nigdy nie wolno otwierać drzwi podczas pracy pieca.



Jedynym dozwolonym przez producenta sposobem użycia i konfiguracji pieca jest użycie zgodne z przeznaczeniem i konfiguracjami podanymi poniżej. Nie należy używać urządzenia grzewczego w sposób niezgodny z podanymi instrukcjami.

1.3 CELE I TREŚĆ INSTRUKCJI

Celem niniejszej instrukcji jest dostarczenie instalatorowi informacji oraz podstaw do prawidłowego montażu i konserwacji. Dokładne przestrzeganie tego, co zostało opisane w niniejszej instrukcji, gwarantuje wysoki poziom bezpieczeństwa i trwałości pieca.

1.4 PRZECHOWYWANIE INSTRUKCJI

PRZECHOWYWANIE I PRZEGLĄDANIE

Instrukcja musi być starannie przechowywana i musi być dostępna do konsultacji dla użytkownika i specjalistów zajmujących się montażem i konserwacją.

Instrukcja montażu jest integralną częścią pieca.

ZNISZCZENIE LUB UTRATA

W razie potrzeby: należy poprosić o nową kopię swojego sprzedawcę z firmy JØTUL.

ODSPRZEDAŻ PIECA

W przypadku odsprzedaży pieca użytkownik jest zobowiązany do przekazania instrukcji nowemu użytkownikowi.

1.5 AKTUALIZACJA INSTRUKCJI

Instrukcja ta jest zgodna z wiedzą techniczną dostępną w chwili wprowadzania pieca do obrotu.

Piece sprzedawane wraz z całą niezbędną dokumentacją techniczną nie mogą zostać uznane przez JØTUL za niezgodne z wymogami w związku z możliwymi modyfikacjami lub zastosowaniem nowych technologii w urządzeniach wprowadzanych na rynek w późniejszym okresie.

1.6 INFORMACJE OGÓLNE

INFORMACJE

Podczas wymiany informacji z producentem pieca należy podać numer seryjny i dane identyfikacyjne w odpowiedniej karcie danych.

ODPOWIEDZIALNOŚĆ

Dostarczenie niniejszej instrukcji zwalnia firmę JØTUL z wszelkiej odpowiedzialności cywilnej i karnej w przypadku szkód powstałych w wyniku nieprzestrzegania, nawet częściowego, wskazówek i instrukcji zawartych w niniejszym dokumencie.

Firma JØTUL nie ponosi również żadnej odpowiedzialności w przypadku niewłaściwego lub nieprawidłowego użytkowania urządzenia oraz, w przypadku modyfikacji i/lub napraw przeprowadzanych bez upoważnienia, jak również w przypadku stosowania części zamiennych, które nie są oryginalne lub nie są dostosowane do modelu pieca, który jest przedmiotem niniejszej instrukcji.

KONSERWACJA NADZWYCZAJNA

Czynności konserwacyjne muszą być wykonywane przez personel wykwalifikowany mający wiedzę w zakresie wykonywania prac na modelu pieca, o którym mowa w niniejszej instrukcji.

OBOWIĄZKI ZWIĄZANE Z PRACAMI INSTALACYJNYMI

JØTUL nie ponosi odpowiedzialności za wszystkie prace związane z instalacją pieca.

- Tylko instalator odpowiada za sprawdzenie, czy istnieje wlot powietrza do spalania oraz skontrolowanie jego przekroju poprzecznego zgodnie z obowiązującymi normami, a także za zgodność proponowanych rozwiązań dotyczących instalacji pieca.
- Musi on również spełniać wszystkie normy bezpieczeństwa określone przez szczegółowe przepisy obowiązujące w kraju, w którym piec jest zainstalowany.
- Instalator musi posiadać kwalifikacje wymagane przez dyrektywę europejską o odnawialnych źródłach energii.

UŻYTKOWANIE

Użytkowanie urządzenia powinno być, podobnie jak wymogi zawarte w niniejszej instrukcji, zgodne ze wszystkimi normami bezpieczeństwa określonymi przez szczegółowe przepisy obowiązujące w kraju, w którym jest ono zainstalowane.

1.7 GŁÓWNE REFERENCYJNE NORMY BEZPIECZEŃSTWA

Urządzenia, których dotyczy niniejsza instrukcja, są zgodne z wymogami prawnymi następujących dyrektyw europejskich:

2014/30/UE: Dyrektywa kompatybilności elektromagnetycznej

2014/35/UE: Dyrektywa niskonapięciowa

2017/2102/UE: Dyrektywa RoHS

2009/125/WE: Wymagania dotyczące ekoprojektu dla dyrektywy dotyczącej produktów związanych z energią

2014/53/UE: RED (dyrektywa w sprawie urządzeń radiowych)

ROZPORZĄDZENIE (UE) NR 305/2011 (CPR)

ROZPORZĄDZENIE (UE) 2015/1185 (EKOPROJEKT)

Zastosowano następujące zharmonizowane normy i/lub przepisy:

EMCD:

- EN 55014-1:2017
- EN 61000-3-2:2015
- EN 61000-3-3:2014 /EC:2016
- EN 55014-2:2015

EMF:

- EN 62233:2008 / EC:2008

LVD:

- EN 60335-1:2013 /EC:2014 /A11:2015 /A13:2017
- EN 60335-2-102:2007 /A1:2011

CPR:

- EN 14785:2006

E) Dyrektywa 85/374/EWG: „w odniesieniu do zbliżenia przepisów ustawowych, wykonawczych i administracyjnych państw członkowskich dotyczących odpowiedzialności za produkty wadliwe”.

F) Dyrektywa 1999/5/WE: „w sprawie urządzeń radiowych i końcowych urządzeń telekomunikacyjnych oraz wzajemnego uznawania ich zgodności”.

1.8 GWARANCJA USTAWOWA

Aby użytkownik mógł skorzystać z gwarancji prawnej, zgodnie z dyrektywą 1999/44/WE musi on skrupulatnie przestrzegać zaleceń zawartych w niniejszej instrukcji, a zwłaszcza:

- Działać zawsze w zgodzie z instrukcją obsługi.
- Należy dopilnować, aby niezbędne prace konserwacyjne były zawsze wykonywane zgodnie z dostarczoną instrukcją instalacji, obsługi i konserwacji wskazanych przez producenta.
- Piec powinien być obsługiwany wyłącznie przez osoby posiadające niezbędne wiadomości o eksploatacji pieca zgodnie z dostarczoną instrukcją.

Niezastosowanie się do zaleceń dotyczących wymagań zawartych w niniejszej instrukcji powoduje natychmiastowe unieważnienie gwarancji.

1.9 OGRANICZENIA ODPOWIEDZIALNOŚCI PRODUCENTA



Producent jest zwolniony z wszelkiej odpowiedzialności cywilnej i karnej, bezpośrednio lub pośrednio, w następujących przypadkach:

- Instalacja niezgodna z niniejszą instrukcją oraz normami i przepisami obowiązującymi w kraju, w którym piec jest zainstalowany.
- Brak konserwacji przez użytkownika lub instalatora.
- Niestosowanie się do instrukcji zawartych w niniejszej instrukcji.
- Instalacja wykonywana przez osoby nie uprawnione do montażu z certyfikatem Jøtul.
- Użycie niezgodne z zaleceniami bezpieczeństwa.
- Modyfikacje lub naprawy dokonywane bez zgody producenta.
- Użycie części zamiennych, które nie są oryginalne dla danego modelu pieca.
- Nieprzewidziane zdarzenia.

1.10 CECHY UŻYTKOWNIKA



Użytkownik pieca musi być osobą dorosłą i odpowiedzialną, posiadającą niezbędną wiedzę techniczną do przeprowadzania rutynowych czynności konserwacyjnych dotyczących mechanicznych i elektrycznych elementów urządzenia.



Dopilnować, aby dzieci nie przebywały w pobliżu pieca, gdy jest on włączony.

1.11 POMOC TECHNICZNA

Serwis techniczny firmy JØTUL pomoże rozwiązać wszelkie problemy związane z użytkowaniem i konserwacją

przez cały cykl życia pieca.

Firma JØTUL pozostaje w pełni do dyspozycji użytkownika i może podać adres najbliższego autoryzowanego dealera.

1.12 CZĘŚCI ZAMIENNE

Należy używać tylko oryginalnych części zamiennych.

Nie należy czekać z wymianą, aż komponenty ulegną całkowitemu zużyciu.

Wymiana elementu przed jego całkowitym zużyciem pomaga zapobiegać nagłym uszkodzeniom, które mogłyby spowodować szkody fizyczne i/lub materialne.

W regularnych odstępach czasu należy przeprowadzać kontrole konserwacyjne wymienione w rozdziale „Konserwacja”.

1.13 TABLICZKA ZNAMIONOWA

Tabliczka znamionowa jest umieszczona z tyłu pieca i zawiera wszystkie dane produktu, w tym numer referencyjny producenta, numer rejestracji i oznakowanie CE.

1.14 DOSTAWA PIECA

Piec dostarczany jest zapakowany w karton i zamocowany na drewnianej palecie umożliwiającej jego przemieszczanie za pomocą wózka widłowego i/lub innych środków.

Wewnątrz pieca znajdują się następujące elementy:

- instrukcja instalacji, obsługi i konserwacji;
- pilot zdalnego sterowania (tylko w przypadku modeli z pilotem zdalnego sterowania);
- narzędzie do otwierania popielnika (tylko dla modeli, które tego wymagają).

2 ZASADY BEZPIECZEŃSTWA

2.1 WSKAZÓWKI DLA INSTALATORA

Należy przestrzegać zaleceń zawartych w niniejszej instrukcji.



Instrukcje montażu i demontażu urządzenia są zastrzeżone wyłącznie dla fachowców.

Instalacja, użytkowanie i konserwacja urządzenia muszą być prowadzone zgodnie z instrukcjami producenta i przepisami. Nieprzestrzeganie instrukcji oraz wszelkie nieprawidłowe działania mogą wywołać niebezpieczeństwo, spowodować szkody materialne, zagrożenie dla zwierząt, problemy zdrowotne lub nieprawidłowe działanie urządzenia.

Instalacja, podłączenie elektryczne, próby działania oraz konserwacja muszą być wykonywane wyłącznie przez upoważniony i wykwalifikowany personel.

Instalację i konserwację produktu może przeprowadzić wyłącznie wykwalifikowany personel posiadający odpowiednią wiedzę o samym produkcie. Należy stosować wyłącznie oryginalne części zamienne zalecane przez producenta.

Użytkownik ponosi odpowiedzialność za prace wykonane w miejscu ustawienia urządzenia; po jego stronie pozostaje także odpowiedzialność za przeprowadzanie kontroli dotyczących proponowanych rozwiązań instalacyjnych.

Instalator jest zobowiązany stosować się do wszelkich lokalnych, krajowych i europejskich przepisów dotyczących bezpieczeństwa.

Urządzenie można posadzić wyłącznie na podłodze o odpowiedniej nośności.



Sprawdź, czy konfiguracja przewodu kominowego i wlotu powietrza jest zgodna z typem instalacji.

Nie należy podłączać urządzenia z wykorzystaniem prowizorycznych niez izolowanych przewodów.

Sprawdź, czy uziemienie instalacji elektrycznej jest skuteczne.

Przed przystąpieniem do montażu lub demontażu urządzenia, instalator jest zobowiązany stosować się do środków bezpieczeństwa wymaganych przepisami prawa,

a w szczególności instalator:

- nie powinien podejmować działań w niekorzystnych warunkach;
- może przeprowadzić prace wyłącznie znajdując się w doskonałych warunkach psychofizycznych i po uprzednim sprawdzeniu, czy środki ochrony indywidualnej są w dobrym stanie czy i działają prawidłowo;
- musi mieć na sobie rękawice i obuwie ochronne;
- musi używać narzędzi wyposażonych w izolację elektryczną;
- musi zadbać, aby obszar wykorzystywany podczas montażu/demontażu był wolny od przeszkód.
- produkt może być instalowany tylko w pomieszczeniach, które nie są zagrożone pożarem i które zostały wyposażone we wszystkie niezbędne instalacje, w tym doprowadzenie powietrza i prądu elektrycznego oraz odprowadzenie spalin.

Oceń warunki statyczne powierzchni, na której znajduje się produkt, i zapewnij odpowiednią izolację, jeśli powierzchnia została wykonana z materiałów łatwopalnych (np. drewno, dywan, plastik).

Części elektryczne pod napięciem: produkt należy podłączyć do zasilania dopiero po całkowitym ukończeniu montażu.

Ostrzeżenia dla pracowników obsługi technicznej

Czynności konserwacyjne mogą być wykonywane wyłącznie przez upoważniony i wykwalifikowany personel.

Należy przestrzegać zaleceń zawartych w niniejszej instrukcji.

Zawsze stosuj osobiste wyposażenie ochronne oraz pozostałe środki ochrony.

Przed rozpoczęciem jakichkolwiek prac konserwacyjnych należy upewnić się, że urządzenie ostygło, jeśli było wcześniej używane.

Nawet jeśli tylko jedno z urządzeń zabezpieczających nie działa, należy uznać, że nie działa całe urządzenie.

Przed przystąpieniem do jakichkolwiek prac konserwacyjnych należy odłączyć urządzenie od zasilania.

Odłącz urządzenie od zasilania przed przystąpieniem do obsługi części elektrycznych i elektronicznych, złączy oraz części ruchomych (układy ładowania pelletu, układy automatycznego czyszczenia paleniska itp.).

2.2 OSTRZEŻENIA DLA UŻYTKOWNIKÓW

Aby zapewnić prawidłowe użytkowanie produktu i podłączonych do niego urządzeń elektronicznych oraz zapobiec wypadkom, należy zawsze postępować zgodnie z zaleceniami zawartymi w niniejszej instrukcji.

Na zewnętrznej powierzchni urządzenia znajduje się kilka szczególnie gorących elementów (drzwiczki, uchwyt, szyba, przewody spalinowe itp.).

Dlatego też należy unikać kontaktu z tymi elementami, chyba że masz na sobie odpowiednią odzież ochronną lub sprzęt ochronny, taki jak rękawice odporne na ciepło lub urządzenie wyposażone jest w „zimne uchwyty”.

Z tego powodu zaleca się maksymalną ostrożność podczas pracy, a w szczególności:



nie dotykaj i nie zbliżaj się do szyby drzwiczek paleniska, może to spowodować oparzenia, nie patrz przez dłuższy czas na płomień.



nie wieszaj prania bezpośrednio nad urządzeniem w celu wysuszenia: zagrożenie pożarowe.

- **nie dotykaj wylotu dymu;**
- **nie przeprowadzaj żadnego rodzaju czyszczenia;**
- **nie wyładowuj popiołów;**
- **nie otwieraj drzwi paleniska;**
- **nie otwieraj popielnika (jeśli przewidziano).**

Urządzenie nie może być używane przez dzieci poniżej 8 roku życia oraz przez osoby o ograniczonych zdolnościach fizycznych, sensorycznych lub umysłowych lub bez doświadczenia lub niezbędnej wiedzy, chyba że są one pod nadzorem lub otrzymały instrukcję dotyczące bezpiecznego użytkowania urządzenia i rozumieją istniejące zagrożenia.

Dzieci nie mogą bawić się urządzeniem. Czyszczenie, za które odpowiada użytkownik, nie może być wykonywane przez dzieci pozostawione bez nadzoru.

Przed wykonaniem jakiegokolwiek operacji użytkownik lub ktokolwiek obsługujący produkt musi dokładnie i w pełni zapoznać się z treścią niniejszej instrukcji instalacji i obsługi. Błędy lub niewłaściwe ustawienia mogą spowodować zagrożenia i/lub niepoprawne działanie urządzenia.

Niewykwalifikowanych użytkowników należy chronić przed dostępem do wszelkich elementów urządzenia, które mogłyby ich narazić na niebezpieczeństwo. Dlatego nie wolno pozwalać takim użytkownikom na dostęp do niebezpiecznych elementów znajdujących się wewnątrz urządzenia (elektrycznych bądź mechanicznych), nawet po odłączeniu zasilania.

Należy stosować się do zaleceń i ostrzeżeń widocznych na tabliczkach znamionowych umieszczonych na urządzeniu.

Tabliczki informacyjne służą zapobieganiu wypadkom, dlatego zawsze muszą być łatwo czytelne. Jeśli są uszkodzone bądź nieczytelne, konieczna jest ich wymiana – w tym celu należy zwrócić się do Producenta o oryginalne części zamienne.

Dokładnie przestrzegaj okresowego oraz nadzwyczajnego harmonogramu konserwacji.

Nie używaj urządzenia bez uprzedniego codziennego czyszczenia.

Nie używaj urządzenia, jeżeli działa nieprawidłowo, podejrzewasz uszkodzenie lub jeśli urządzenie wydaje nietypowe odgłosy.

W przypadku awarii lub nieprawidłowego działania, wyłącz urządzenie i natychmiast skontaktuj się z wyspecjalizowanym technikiem.

Nie wylewaj wody na działające urządzenie w celu ugaszenia ognia w palenisku.

Nie wyłączaj urządzenia przez odłączenie zasilania sieciowego.

Nie opieraj się o otwarte drzwiczki, może to zagrozić stabilności urządzenia.

Nie używaj urządzenia jako obciążnika stabilizującego.

Zabrania się używania produktu jako drabiny lub konstrukcji wsporczej.

Nie należy czyścić urządzenia przed całkowitym wystygnięciem konstrukcji i popiołu.

Drzwiczki można dotykać wyłącznie wtedy, gdy urządzenie jest zimne.

W przypadku ulatniania się spalin w pomieszczeniu lub wybuchów szkodliwych dla urządzenia, należy je wyłączyć, wywietrzyć pomieszczenie i niezwłocznie skontaktować się z instalatorem/technikami.

W przypadku wystąpienia pożaru w kanale kominowym, należy wyłączyć urządzenie, odłączyć je od sieci elektrycznej i nie otwierać drzwiczek. Następnie wezwij właściwe służby.

W przypadku awarii układu zapłonowego nie wolno zapalać urządzenia materiałami łatwopalnymi.

W przypadku urządzeń zasilanych energią elektryczną, jeśli niespalone gazy/opary gromadzą się wewnątrz paleniska, należy pozostawić urządzenie podłączone do zasilania i odsunąć się jak najdalej od urządzenia. W przypadku nieprawidłowego działania urządzenia z powodu słabego ciągu kominowego, należy wyczyścić komin, postępując zgodnie z procedurą opisaną w rozdziale „Konserwacja”.

Nie dotykaj lakierowanych części podczas działania urządzenia, ponieważ grozi to uszkodzeniem lakieru.

Wszelka odpowiedzialność za nieprawidłowe korzystanie z produktu spoczywa na użytkowniku, który tym samym zwalnia producenta z wszelkiej odpowiedzialności cywilnej i karnej.



Zabrania się obsługi urządzenia przy otwartych drzwiczkach.

Zabrania się używania urządzenia, jeśli szyba w drzwiach lub uszczelki są uszkodzone.

Wszelkiego rodzaju nieuprawniona obsługa lub wymiany części zamiennych na nieoryginalne zagrażają bezpieczeństwu operatora i zwalniają producenta z odpowiedzialności cywilnej i karnej.



Zabrania się ręcznego ładowania pelletu do paleniska; takie nieprawidłowe zachowanie może generować nietypową ilość niespalonego gazu, powodując ryzyko wybuchu wewnątrz komory.

Po nieudanej próbie zapłonu niespalony pellet należy usunąć z paleniska przed ponowną próbą rozpalenia.

Jeśli palenisko nie jest regularnie czyszczone i serwisowane, wewnątrz urządzenia mogą wystąpić usterki i wybuchy. Należy pamiętać, aby usunąć wszelkie resztki materiału i osadów z otworów paleniska i czyścić je przy każdym opróżnianiu popiołu lub po każdej nieudanej próbie zapłonu. Sprawdź, czy otwory w palenisku nie zmniejszyły się, ponieważ może to mieć negatywny wpływ na bezpieczne działanie urządzenia.

Nie należy myć produktu wodą. Woda może przedostać się do urządzenia i uszkodzić instalację elektryczną, stwarzając ryzyko porażenia prądem.

Nie należy siedzieć/stać przed działającym urządzeniem przez dłuższy czas.

Niewłaściwe użytkowanie produktu lub nieprawidłowe prace konserwacyjne mogą stwarzać poważne zagrożenie wybuchem w komorze spalania.

Należy używać wyłącznie paliwa zalecanego przez producenta. Urządzenia nigdy nie wolno używać jako spalarni.

Zabrania się używania benzyny, paliwa do lamp, nafty, ciekłej podpałki do drewna, alkoholu etylowego lub podobnych płynów do rozpalania lub do ponownego wzniecenia płomienia. Wszystkie te płyny należy przechowywać w odpowiedniej odległości od urządzenia podczas jego działania.

Zabrania się umieszczania w zbiorniku innych paliw niż pellet drzewny.

Kilka wskazówek, jak uniknąć korozji:

- czyścić urządzenie regularnie, aby uniknąć gromadzenia się osadów popiołu;
- zasilaj urządzenie wyłącznie paliwem o właściwościach opisanych w rozdziale „Właściwości paliwa”;
- nie używać rozpuszczalników, kwasów, agresywnych detergentów lub produktów do bezpośredniego czyszczenia szkła lub innych części produktu;
- nie pozostawiaj produktu w niekorzystnych warunkach otoczenia (wilgotność, zasolenie powietrza, burze itp.);
- jeśli urządzenie nie jest używane przez dłuższy czas (np. latem), należy odłączyć rurę wlotową powietrza do spalania i umieścić w komorze spalania worki ze środkiem osuszającym, aby usunąć wilgoć z powietrza, przy czym należy pamiętać o ich wyjęciu przed ponownym wznieceniem ognia w urządzeniu.

3 WŁAŚCIWOŚCI PALIWA

3.1 WŁAŚCIWOŚCI PALIWA

- Pellet, czyli granulaty drzewny (rys. 3.1), składa się z różnych gatunków drewna prasowanego w procesie mechanicznym zgodnie z normami ochrony środowiska. Jest to jedyne paliwo dozwolone dla tego typu pieców.
- Sprawność i moc cieplna pieca może się różnić w zależności od jakości użytego pelletu drzewnego.
- Piec na pellet, do prawidłowego działania, wymaga pelletu o następujących właściwościach:
 - rozmiar \varnothing 6 mm
 - maks. długość 30 mm
 - maks. wilgotność: od 8% do 10% wilgotności.

Piec wyposażony jest w zbiornik na pellet o pojemności wskazanej w dokumentacji technicznej.

Pokrywa zbiornika załadunkowego pieca znajduje się na górze.

Podczas załadunku pelletu pokrywa musi być zawsze otwarta.



Ze względów bezpieczeństwa oraz w celu zapewnienia kontroli temperatury nie stosować tradycyjnego drewna w postaci polan.



Urządzenie nie jest spalarnią i nie wolno w nim spalać niczego poza pelletem drzewnym.

3.2 PRZECHOWYWANIE PELLETU



Pellet powinien być przechowywany w suchym i niezbyt zimnym miejscu.

Zalecamy przechowywanie kilku worków z pelletem w pomieszczeniu, w którym znajduje się piec lub w pomieszczeniu przyległym, aby zapewnić odpowiednią temperaturę i wilgotność.

Mokry i/lub zimny (5°C) granulaty zmniejsza moc cieplną pelletu i konieczne jest częstsze czyszczenie rusztu (niedopały).

Należy zwrócić szczególną uwagę na przechowywanie i przenoszenie worków z granulatem, aby uniknąć ich zgniatania i powstawania pyłu.

Może to doprowadzić do wprowadzenia trocin do zbiornika pieca, co może spowodować zakleszczenie lub zablokowanie się ślimaka podającego i uszkodzenie silnika napędu ślimaka.

Właściwości granulatu muszą być zgodne z wymogami normy PN-EN 14961:2011.



rys. 3.1

4 TRANSPORT I PRZEŁADUNEK

Piec jest dostarczany w komplecie z wszystkimi niezbędnymi częściami.

Należy uważać, ponieważ piec ma tendencję do utraty równowagi. Jego środek ciężkości jest przesunięty do przodu.

Należy wziąć pod uwagę powyższe zalecenia podczas przemieszczania pieca na palety transportowej.

Unikać szarpnięć i gwałtownych ruchów podczas przemieszczania.

Upewnić się, że wózek podnośnikowy ma udźwig większy od ciężaru podnoszonego pieca.

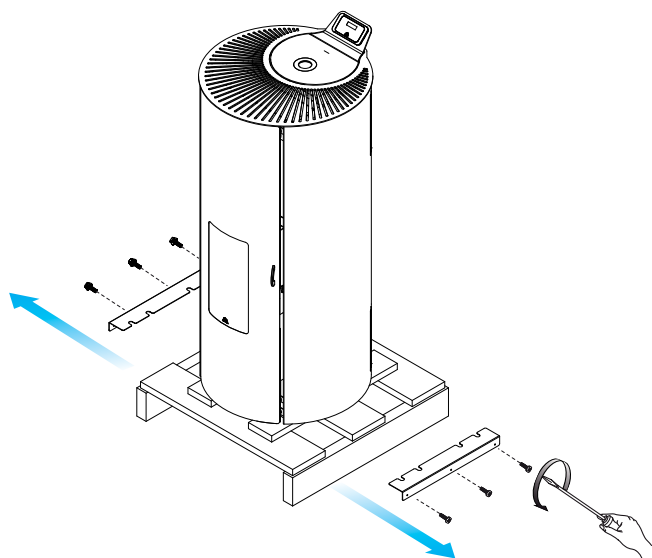
Za podnoszenie ciężarów odpowiada wyłącznie operator wózka widłowego.



Dopilnować, aby dzieci nie bawiły się materiałami opakowaniowymi (np. folią plastikową i polistyrenem). Ryzyko zadławienia!

4.1 ZDJĘCIE PIECA Z PALETY TRANSPORTOWEJ

Aby zdjąć piec z palety transportowej, postępować zgodnie ze wskazówkami zawartymi w niniejszej instrukcji.



rys. 4.1

5 PRZYGOTOWANIE MIEJSCA INSTALACJI

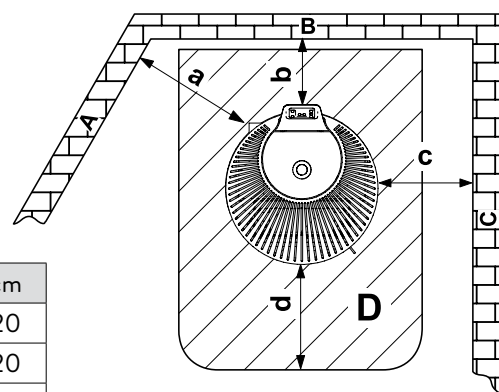
5.1 UWAGI OGÓLNE

Istnieje kilka czynników, które zwiększają efektywność spalania pod względem wydajności cieplnej i niskiej emisji substancji zanieczyszczających (tlenek węgla CO). Niektóre czynniki zależą od urządzenia, w którym odbywa się spalanie, inne zależą od charakterystyki środowiska, rodzaju instalacji i poziomu przeglądu technicznego urządzenia.

Do ważnych czynników wpływających na efektywność spalania należą:

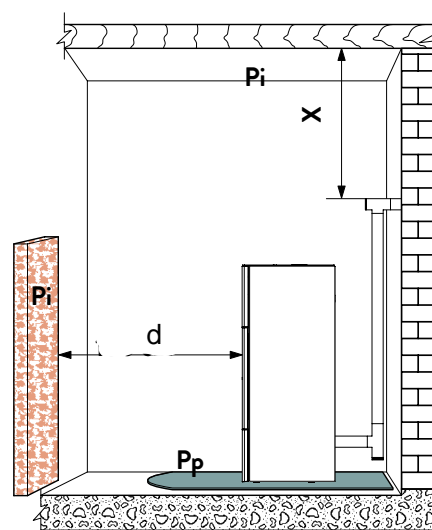
- powietrze do spalania;
 - charakterystyka systemu odprowadzania spalin (przebieg rur dymowych);
 - jakość paliwa (wilgotność i wielkość);
- Poniżej przedstawione są wytyczne dotyczące maksymalnej wydajności zakupionego produktu.

Należy zapewnić dostęp do instalacji tak, aby było możliwe czyszczenie urządzenia, rur dymowych i

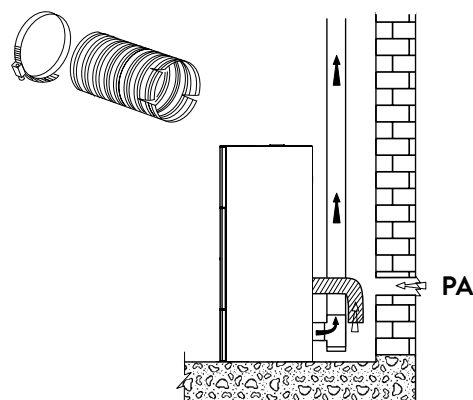


| odległości | cm |
|------------|----|
| a | 20 |
| b | 20 |
| c | 15 |
| d | 80 |

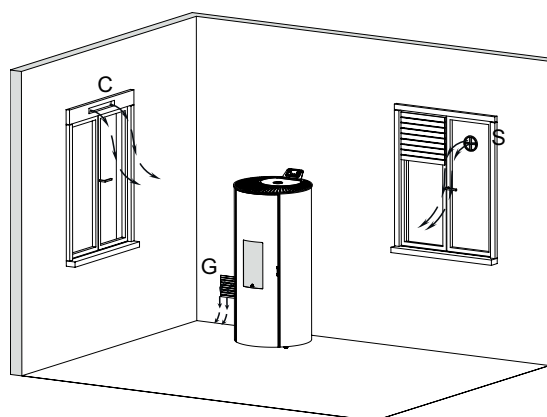
rys. 5.1



rys. 5.2



rys. 5.3



rys. 5.4

przewodu dymowego (lub w stosownych przypadkach, współosiowego układu odprowadzania spalin i zasilania powietrzem do spalania).

5.2 MIEJSCE INSTALACJI PIECA

Na rys. 5.1 podane są minimalne odległości (w centymetrach) od ścianek działowych i przedmiotów z materiałów palnych, których należy przestrzegać podczas instalowania pieca.

W przypadku ścianek/przedmiotów wykonanych z materiałów niepalnych wymiary te mogą być mniejsze, zgodnie ze szczegółową instrukcją montażu urządzenia. Niezależnie od tego należy chronić przed promieniowaniem cieplnym i ryzykiem pożaru wszystkie konstrukcje, które mogłyby się zapalić w przypadku wystawienia na zbyt duże promieniowanie ciepłe. Podłogi drewniane lub wykonane z materiałów palnych muszą być chronione dużą płytą podłogową pod piecem. Taka płyta może być wykonana np. ze stali, szkła hartowanego lub kamienia i musi pokrywać powierzchnię podłogi pod piecem, podłączeniem przewodu kominowego i musi wystawać przed piec 60 cm. Producent nie ponosi odpowiedzialności za jakiegokolwiek zmiany właściwości materiału stanowiącego podłoże pod urządzeniem. Wszelkie elementy drewniane (belki) lub materiały palne znajdujące się w pobliżu pieca należy zabezpieczyć materiałem ognioodpornym. Piec musi być zainstalowany w bezpiecznych odległościach od ścianek działowych lub przedmiotów z materiałów palnych określonych w szczegółowej instrukcji montażu dostarczonej z produktem.



Musi być zapewniona przestrzeń wokół pieca, aby możliwe były przeprowadzenie wszystkich prac konserwacyjnych.

Należy przestrzegać minimalnych odległości między wszystkimi materiałami palnymi, a piecem oraz rurami dymowymi, a także szczegółowych wskazówek podanych w instrukcji montażu i przepisów krajowych. Rury zastosowane do podłączenia pieca muszą mieć oznaczenie CE. W przypadku paliwa drzewnego należy oznaczyć G xx (G oznacza, że połączenie jest odporne na pożar komina, a xx to minimalna bezpieczna odległość w milimetrach) (rys. 5.2).

Pi = Ściana palna

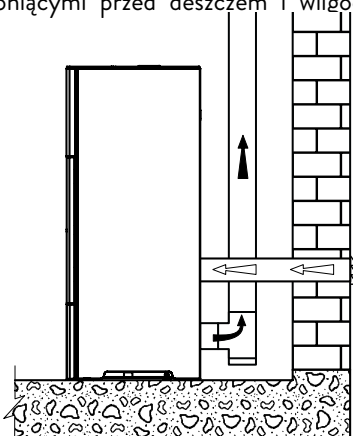
Pp = Ochrona podłogi

5.3 POWIETRZE DO SPALANIA



Podczas pracy piec pobiera określoną ilość powietrza z pomieszczenia, w którym jest zainstalowany (z wyjątkiem niektórych produktów, które pobierają powietrze bezpośrednio z zewnątrz). Ta ilość powietrza musi zostać uzupełniona przez otwór doprowadzający powietrze z zewnątrz (rys. 5.3 - PA=doprowadzenie świeżego powietrza).

Jeśli ściana za piecem jest ścianą zewnętrzną, należy wykonać w niej otwór 20-30 cm nad ziemią. Konieczne jest zamontowanie niezamykanej kratki wraz z elementami chroniącymi przed deszczem i wilgocią. Otwór należy



rys. 5.5

wykonać w takim miejscu, aby nie został przypadkowo zastąpiony (np. składowanie materiałów, desek itp.)

Jeśli nie jest możliwe wykonanie otworu bezpośrednio w ścianie, można pobrać powietrze z piwnicy, za pomocą kanału tak, aby nie mieszało się z powietrzem w pomieszczeniu. Można również pobrać powietrze z sąsiedniego pomieszczenia, pod warunkiem, że oba pomieszczenia połączone są kratką wentylacyjną. W przypadku innych urządzeń konieczne jest, aby ilość powietrza niezbędnego do prawidłowego działania pieca na pellet nie zakłócała działania pozostałych urządzeń (rys. 5.4).

Mechaniczna wentylacja wyciągowa zainstalowana w pomieszczeniu, w którym znajduje się piec, może spowodować brak powietrza do spalania w urządzeniu. W takim przypadku należy zadbać, aby dostarczyć odpowiednio dużą ilość powietrza do urządzenia. Powietrze do spalania można doprowadzić za pomocą rur koncentrycznych (rura dymowa połączona współosiowo z rurą doprowadzającą powietrze do spalania), wtedy nie ma potrzeby klasycznego wlotu powietrza w pomieszczeniu

5.4 ODPROWADZANIE DYMU

Piec współpracuje z komorą spalania pod ujemnym ciśnieniem. Należy koniecznie upewnić się, że wszystkie połączenia rurowe, w szczególności rur dymowych jest szczelne.



Upewnij się, że instalacja kominowa jest skonstruowana zgodnie z przepisami i że jest samonośna, aby uniknąć oparcia się na piecu.

Po wybraniu odpowiedniego miejsca do instalacji pieca i biorąc pod uwagę zasady wymienione w poprzednich akapitach, określ lokalizację instalacji odprowadzającej spalinę. Rury łączące użyte do instalacji kominowej muszą zawierać oznakowanie CE, które określa, zgodnie z testami producenta, możliwe ich użycie do urządzeń grzewczych na paliwa stałe (temperatura podana przez producenta pieca w etykiecie CE plus bezpieczeństwo 50°C).

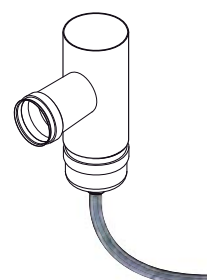
Część instalacji kominowej znajdująca się na zewnątrz budynku musi być izolowana, a jej wysokość musi sięgać ponad kalenicę o 60 cm.

Podłączenie pieca do komina musi być możliwie krótkie, a ewentualne zmiany kierunku muszą być wykonane z zastosowaniem kolanek 45°.

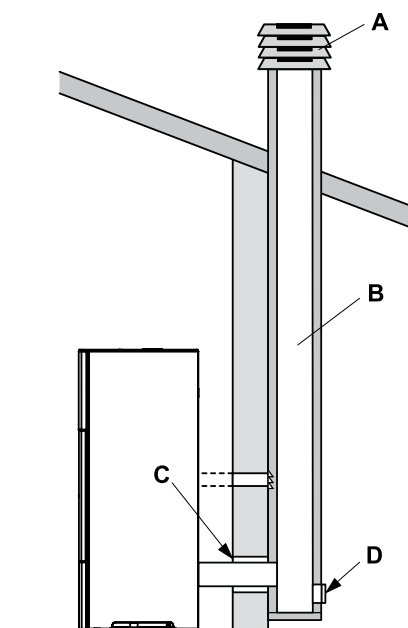


Aby zapewnić możliwość odprowadzenia skroplin (kondensatu), jakie mogą tworzyć się w przewodzie dymowym należy zamontować kształtkę T przy wyjściu komina na zewnątrz budynku (rys. 5.5.3).

Odcinki poziome mogą mieć długość maksymalnie 2-3 m, a nachylenie wznoszące wynosi 3-5%. Odległości od niez izolowanych rur dymowych do elementów wykonanych z materiałów palnych nie może być mniejsza niż 60 cm.

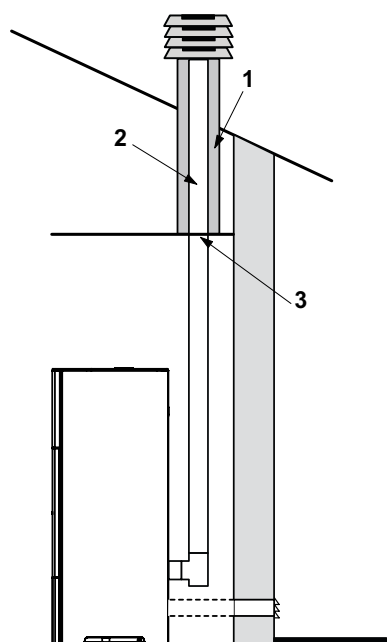


rys. 5.5.3



rys. 5.5.1

- A) Nasada kominowa chroniąca przed wiatrem
 B) Maksymalny przekrój od 15 × 15 cm lub Ø 15 cm, maksymalna wysokość 4–5 m
 C) Przejście kominowe
 D) Wyczystka



rys. 5.5.2

- 1) Wermikulit i/lub wena mineralna
 2) Rura stalowa
 3) Panel sufitowy

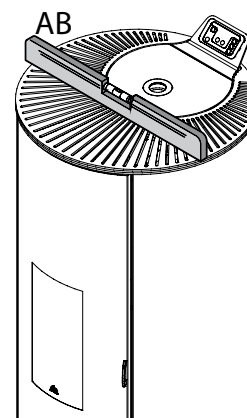
6 INSTALACJA

Instalator musi posiadać certyfikat Jøtul uprawniający do montażu urządzeń na opał stały.

6.1 WYPOZIOMOWANIE PIECA

Piec musi być ustawiony poziomo i pionowo za pomocą poziomicy. Regulację można przeprowadzić za pomocą nóżek nastawczych (rys. 6.1). Odkręcać nóżki aż do założonych nakrętek.

A B = Poziomica



rys. 6.1

6.2 PODŁĄCZENIA

6.2.1 Podłączenie elektryczne

Wystarczy podłączyć piec do sieci elektrycznej za pomocą wtyczki.

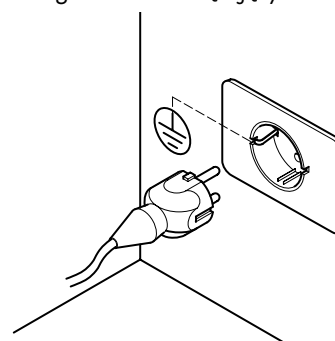
Podłączenie elektryczne (gniazdo) musi być łatwo dostępne po zainstalowaniu pieca i musi pozostać widoczne.



Jeśli przewód zasilający jest uszkodzony, musi zostać wymieniony przez wykwalifikowanego technika, aby uniknąć ryzyka porażenia prądem.

6.2.1.1 Uziemienie

Instalacja musi być koniecznie wyposażona w uziemienie i wyłącznik zgodnie z obowiązującymi normami (rys. 6.2).



rys. 6.2



Metalowy przewód kominowy musi mieć własne połączenie z masą.

6.2.2 Podłączenie do zewnętrznego chronotermostatu

Istnieje możliwość podłączenia zewnętrznego chronotermostatu, który wygasa i rozpala piec w zależności od zaprogramowanej temperatury.

Po osiągnięciu zadanej temperatury termostat otwiera obwód i wyłącza piec.

Termostat zewnętrzny musi być podłączony do dwóch zacisków znajdujących się na karcie elektronicznej, które zostały wcześniej połączone fabrycznie. Rozłączyć oba zaciski i podłączyć do nich dwa styki termostatu.

Ważne jest, aby ustawić piec w konfiguracji 2, postępując zgodnie z instrukcjami podanymi w rozdziale „Konfiguracja początkowa”.



Po zainstalowaniu chronotermostatu pierwsze rozpalenie pieca musi być wykonane ręcznie, gdy chronotermostat jest się w trybie „wywołanie”. Postępować w ten sam sposób po awarii zasilania, jak również po ręcznym wyłączeniu pieca.



Aby jego działanie nie nakładało się na przedziały czasowe pracy pieca, zaleca się dezaktywować (ustawić na OFF) wyłącznik czasowy pieca (patrz rozdz. 10.1).

6.3 KONFIGURACJA POCZĄTKOWA

W zależności od rodzaju instalacji piec musi być odpowiednio skonfigurowany, aby zoptymalizować jego działanie.

W tym celu należy najpierw włączyć zasilanie pieca, wciskając włącznik znajdujący się z tyłu.

- Przy pomocy przycisków ze strzałkami (◀ ▶) wybrać menu Konfiguracja (⚙️) i nacisnąć (⏏️);
- Wybrać hasło "7" przyciskiem (+) i potwierdzić przyciskiem (⏏️);
- Wybrać podmenu [30] przy pomocy przycisków (+ -); "r--0" zaczyna migać.
- Nacisnąć przycisk (⏏️) i wprowadzić "54" za pomocą przycisków (+ -);
- Nacisnąć przycisk (⏏️), aby potwierdzić.
- Wyświetlana jest bieżąca konfiguracja.
- Aby zmienić, nacisnąć przycisk (⏏️) i za pomocą przycisków (+ -) wprowadzić numer odpowiadający nowej konfiguracji.
- Nacisnąć przycisk (⏏️), aby potwierdzić.



Po zmianie konfiguracji na kilka sekund może pojawić się komunikat alarmowy. Należy go zignorować i wyłączyć piec, wciskając włącznik znajdujący się z tyłu. Poczekać kilka sekund, a potem rozpałić go ponownie.

MOŻNA ZAPROGRAMOWAĆ DWIE RÓŻNE KONFIGURACJE:

KONFIGURACJA 1 (domyślna)

Konfiguracja ta nadaje się również do rozpalania i wygaszania pieca ręcznie lub w sposób zaprogramowany.

Piec moduluje swoją moc w zależności od temperatury otoczenia odczytanej przez znajdujący się w nim czujnik.

Można włączyć funkcję „Eco Mode”, tak aby piec wygaszał się po osiągnięciu ustawionej temperatury i rozpałat ponownie po spadku temperatury w pomieszczeniu.

W tej konfiguracji możliwe jest również wybranie funkcji zapobiegającej zamarzaniu.

KONFIGURACJA 2

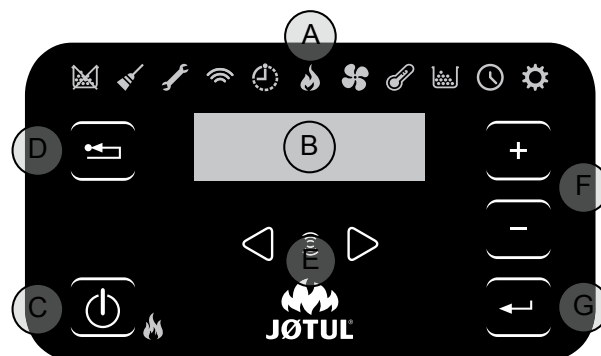
Ustawić tę konfigurację, gdy piec jest sterowany przez zewnętrzny termostat (lub chronotermostat).

W tej konfiguracji piec wyłączy się po włączeniu termostatu zewnętrznego po osiągnięciu zaprogramowanej temperatury.

W tej konfiguracji nie jest możliwe wybranie funkcji zapobiegającej zamarzaniu.

7 OPIS PIECA

7.1 KLAWIATURA STERUJĄCA



rys. 7.1

Układ klawiatury sterującej:

- górną część z diodami LED stanu i podświetlanymi ikonami identyfikującymi poszczególne funkcje,
- wyświetlacz LED,
- przycisk rozpalania (⏏️),
- przycisk „Anuluj” i wyświetlenie „Alarm” (⚠️),
- dwa przyciski ze strzałkami do poruszania się po różnych menu (◀ ▶),
- dwa przyciski (+) i (-) dostępu do podmenu i modyfikacji parametrów pracy,
- przycisk wysłania (⏏️) w celu potwierdzenia parametru lub wyboru.









Ze względu na fakt, że jest to klawiatura dotykowa, wystarczy nacisnąć przyciski, aby je aktywować.


7.1.1 Diody LED stanu

| IKONA | KOMUNIKAT | OPIS |
|-------|---------------------------------------|---|
| | Pellet na wyczerpaniu | Wskazuje on, że należy napełnić zbiornik na pellet. |
| | Konserwacja | Sygnalizuje, że należy przeprowadzić konserwację. |
| | Wsparcie | Sygnalizuje uruchomienie alarmu. |
| | Odbiornik urządzeń radiowych | Dioda świeci zawsze: panel sparował się z urządzeniem radiowym Przerwana dioda LED: w stanie parowania, parowanie Dioda wyłączona: brak podłączonego urządzenia |
| | Włącznik czasowy uruchomiony | Sygnalizuje aktywację funkcji włącznika czasowego. |
| | Dioda LED stanu (obok przycisku (⏏️)) | Dioda LED świeci: wskazuje, że piec jest włączony. Migająca dioda LED: wskazuje, że piec jest w trakcie rozpalania lub znajduje się w trybie czuwania. Dioda LED wyłączona: wskazuje, że piec jest wyłączony. |

7.1.2 Opis menu

| IKONA | FUNKCJA | OPIS | WARTOŚCI |
|---|-------------------|--|--|
|  | Moc | Ustawianie mocy roboczej. | 1-5 |
|  | Wentylacja* | Ustawianie mocy wentylatora powietrza w pomieszczeniu | c : OFF, 1, 5 ; A ; Hi r* : OFF, 1 ... 5 l* : OFF, 1 ... 5 |
|  | Temperatura | Wyświetla temperaturę pokojową i pozwala na zaprogramowanie żądanej temperatury. | od 6°C do 51°C |
|  | Paliwo | Wyświetla czas samodzielnego działania i umożliwia jego wyzerowanie podczas załadunku pelletu [FULL] lub wyłączenie wyświetlacza [OFF]. | FULL – OFF |
|  | Wyłącznik czasowy | Włącza i wyłącza wyłącznik czasowy. Gdy zegar sterujący jest uruchomiony, ikona  jest wyświetlana jako stała. | ON – OFF |



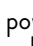

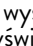
* Tylko dla wersji wyposażonych w jeden lub dwa wentylatory rozprowadzające gorące powietrze


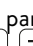
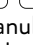
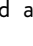
| IKONA | FUNKCJA | PODMENU | OPIS | WARTOŚCI | |
|---|------------------|--------------------------------|---------------------------------------|---|------------------------|
|  | Regulacja | [1] | Czasownik tygodniowy | Przyporządkowanie programów (maks. 3) do różnych dni tygodnia. | od [d1] do [d7] |
| | | [2] | Programy | Ustawienie programów. | od [P1] do [P6] |
| | | [3] | Zegar/data | Ustawienie godziny i daty. | |
| | | [4] | Pozostałe godziny | Wyświetla liczbę godzin pozostałych do następnej zalecanej konserwacji. Wartość „Hi” oznacza liczbę większą niż 999 godzin. | |
| | | [5] | Informacje systemowe | Wyświetla aktualną wersję oprogramowania. | |
| | | [6] | Funkcja nieaktywna | | |
| | | [7] | Funkcja Eco | Aktywuje lub dezaktywuje tryb Eco, który umożliwia automatyczne rozpalanie i wygaszanie w zależności od temperatury otoczenia (tylko w konfiguracji 1). | OFF; Eco |
| | | [8] | Delta ponowne rozpalanie | Różnica w stopniach w stosunku do temperatury pomieszczenia, poniżej której piec będzie się ponownie rozpałał (tylko w konfiguracji 1). | od 0,5°C do 5,0°C |
| | | [9] | Temperatura ochrony przed zamarzaniem | Minimalna temperatura, poniżej której piec się rozpała (tylko w konfiguracji 1). | OFF; od 3°C do 20°C |
| | | [10] | Blokada klawiatury | Konfiguracja blokady przycisków | OFF; Lo; Hi |
| | | [11] | Jasność ekranu | Ustawia stopień jasności ekranu. | OFF; od 1 do 5 |
| | | [12] | Tryb wyświetlania | Konfiguracja wyświetlania danych. | OFF; od 1 do 4 |
| | | [13] | Głośność sygnalizatora dźwiękowego | Ustawianie głośności sygnalizatora dźwiękowego. | OFF; od 1 do 5 |
| | | [14] | Typ pelletu | Można ustawić 3 różne typy pelletu. | od 1 do 3 |
| | | [15] | Funkcja nieaktywna | | |
| | | [30] | Menu instalatora | Zmienia/wyświetla konfigurację pieca. | PWD: „54” |
| | | [31] | Ładowanie u** | Ręczna aktywacja systemu ładowania pelletu | PWD: “54” |
| | | [36] | Łączenie w parę | Temperatura otoczenia | ON; OFF; t |
| | | [37] | Łączenie w parę* | Prawy wentylator - R | ON; OFF; t |
| [38] | Łączenie w parę* | Lewy wentylator – L | ON; OFF; t | | |
| [40] | Menu serwisowe | Menu przeznaczone dla serwisu. | | | |

Podmenu [30] i [40] menu Konfiguracja są chronione hasłem i są przeznaczone wyłącznie dla serwisu technicznego.

* Tylko dla wersji wyposażonych w jeden lub dwa wentylatory rozprowadzające gorące powietrze ** Jeśli dostępne

7.2 UŻYCIĘ KLAWIATURY STERUJĄCEJ

- Dotknięcie przycisków strzałek   powoduje przewijanie różnych menu, które są kolejno podświetlane.
- Aby zmienić ustawienia danej funkcji, wystarczy nacisnąć przycisk , gdy funkcja ta jest wyświetlana, i zmienić wartości za pomocą przycisków  .

- Nacisnąć ponownie przycisk , aby potwierdzić modyfikację.
- Generalnie wszystkie migające parametry mogą być zmieniane za pomocą klawiszy  .
- Przycisk „Anuluj”  pozwala anulować modyfikację; długie dotknięcie wyświetla kod alarmu, który mógł zostać uruchomiony.

7.3 PARAMETRY DZIAŁANIA

Działanie pieca zależy od ustawionych przez użytkownika parametrów Mocy, Wentylacji i Temperatury.

7.3.1 Zmiana mocy

Moc odpowiada ilości ciepła wytwarzanego przez piec i dlatego ma bezpośredni wpływ na zużycie.

Aby zmienić moc:

- Przy pomocy przycisków wybrać menu moc i nacisnąć .
- Parametr moc zacznie migać; zmienić go za pomocą przycisków (1 to minimum, a 5 to maksimum).
- Nacisnąć przycisk , aby potwierdzić ustawienie.

7.3.2 Zmiana wentylacji

Aby zmienić wartość wentylacji:

- Przy pomocy przycisków wybrać menu wentylacja i nacisnąć przycisk ;
- Używając przycisków można wybrać wentylator centralny [c], wentylator prawy [r]* lub lewy [l]*;
- Przy pomocy przycisku wybierz żądany wentylator;
- Wybierając wentylator centralny [c] ustaw jego wartość przyciskami :
 - „OFF” = całkowicie wyłącza wentylację i piec będzie działać tylko z konwekcją naturalną;
 - minimum „1”, „...”, maksimum 5”;
 - „A” = praca automatyczna (piec ustawi prędkość w zależności od temperatury w pomieszczeniu);
 - „Hi” = ultraszybkie działanie (stosować tylko wtedy, gdy występuje potrzeba szybkiego nagrzania pomieszczenia);
- Naciśnij przycisk aby zatwierdzić ustawione wartości.

Jeśli wybrany jest wentylator prawy [r]* lub lewy [l]* tylny można go wyłączyć OFF lub ustawić prędkość „1” minimum, „...”, maksimum „5”.

W przypadku, gdy wentylator centralny został wyłączony i co najmniej jeden z dwóch tylnych wentylatorów jest aktywny, środkowy wentylator automatycznie ustawi się na wartość minimalną.

* Tylko dla wersji wyposażonych w jeden lub dwa wentylatory rozprowadzające gorące powietrze

7.3.3 Zmiana temperatury otoczenia

Zmiana tego parametru określa żądaną temperaturę w pomieszczeniu, która będzie odczytywana bezpośrednio przez czujnik zainstalowany na piecu.

Aby zmienić żądaną wartość temperatury:

- Używając przycisków , wybrać menu temperatura i nacisnąć .
- Bieżący parametr zaczyna migać, zmienić go za pomocą przycisków .
- Nacisnąć przycisk w celu potwierdzenia regulacji.



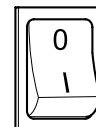
Po załadunku pelletu należy koniecznie zamknąć pokrywę zbiornika.

W przypadku uruchamiania funkcji „autonomia” wybrać ikonę paliwa za pomocą przycisków ze strzałkami i , a następnie nacisnąć przycisk „wysłanie” . Następnie za pomocą przycisków wybrać opcję „FULL” i nacisnąć przycisk „wysyłanie” .

Aby wyłączyć funkcję autonomia, wybrać „OFF” zamiast „FULL”.

8.2 ZASILANIE ELEKTRYCZNE

Podłączyć piec do sieci elektrycznej, ustawiając wyłącznik zapłonu w tylnej części pieca na „1” (rys. 8.2). Włączenie zasilania jest sygnalizowane serią przerywanych sygnałów dźwiękowych i zaświeceniem się ekranu.



rys. 8.2



W przypadku przewidywania długiego okresu bezczynności zaleca się ustawić przełącznik z tyłu pieca w pozycji OFF (0).



Podczas podłączania pieca do gniazdka elektrycznego należy pamiętać, aby nie dotykać panelu sterowania.

8.3 USTAWIENIA WSTĘPNE

Przed użyciem pieca należy ustawić aktualny język, datę i godzinę.

8.3.1 Ustawienie godziny i daty

Aby zmienić datę:

- Przy pomocy przycisków wybrać menu Konfiguracja i nacisnąć .
- Wybrać hasło „7” przy użyciu przycisku i potwierdzić przyciskiem .
- Przy pomocy przycisku wybrać podmenu [3] i potwierdzić przyciskiem .
- Parametr godziny zacznie migać, zmienić go za pomocą przycisków , a następnie nacisnąć przycisk .
- Parametr minut zacznie migać, zmienić go za pomocą przycisków , a następnie nacisnąć przycisk .
- Parametr dnia zacznie migać, zmienić go za pomocą przycisków , a następnie nacisnąć przycisk .
- Parametr miesiąca zacznie migać, zmienić go za pomocą przycisków , a następnie nacisnąć przycisk .
- Parametr roku zacznie migać, zmienić go za pomocą przycisków , a następnie nacisnąć przycisk .
- Parametr bieżącego dnia tygodnia (poniedziałek = 1 itd., niedziela = 7) zaczyna migać, zmienić go za pomocą przycisków .
- Nacisnąć przycisk , aby potwierdzić ustawienie.

8 CZYNNOŚCI WSTĘPNE

8.1 NAPEŁNIANIE PELLETEM

Pierwszą czynnością, którą należy wykonać przed rozpaleniem pieca, jest napełnienie zbiornika na pellet.

Pellet należy wsypać do zbiornika za pomocą małej łopaty.

Nie należy opróżniać worka bezpośrednio do zbiornika, aby uniknąć wyrzucania trocin lub ciał obcych, które mogłyby zakłócić prawidłowe działanie pieca, oraz aby nie wysypywać pelletu poza zbiornik.

8.3.2 Ustawianie jasności ekranu

Jasność ekranu można regulować, gdy ekran znajduje się w trybie czuwania.

- Przy pomocy przycisków wybrać menu Konfiguracja i nacisnąć .
- Wybrać hasło "7" przy użyciu przycisku i potwierdzić przyciskiem .
- Przy pomocy przycisku wybrać podmenu [11] i potwierdzić przyciskiem .
- Ustawić żadaną jasność [OFF, 1..5] przy pomocy przycisków i , a następnie potwierdzić przyciskiem .

8.3.3 Ustawianie wyświetlania

Można ustawić obiekty, które mają być wyświetlane, gdy ekran jest w trybie czuwania.

Przy pomocy przycisków ze strzałkami wybrać menu ustawienia .

- Przy pomocy przycisków wybrać menu Konfiguracja i nacisnąć .
- Wybrać hasło "7" przy użyciu przycisku i potwierdzić przyciskiem .
- Przy pomocy przycisku wybrać podmenu [12] i potwierdzić przyciskiem .
- Przy pomocy przycisków i ustawić jeden z poniższych parametrów:

- "OFF" • Na wyświetlaczu pojawi się ostatnia wizualizacja wykonana przez klienta.
- "1" • Można cyklicznie wyświetlać wszystkie parametry.
- "2" • Można wyświetlać temperaturę (odczytaną przez czujnik temperatury otoczenia).
- "3" • Można wyświetlić aktualny czas.
- "4" • Można wyświetlić godziny autonomicznej pracy przed ponownym naładowaniem zbiornika, jeśli funkcja „uzupełnienie” została zatwierdzona.

- Nacisnąć przycisk , aby potwierdzić ustawienie.

8.3.4 Ustawianie głośności sygnalizatora

dźwiękowego

Głośność sygnalizatora dźwiękowego można ustawić w zależności od potrzeb.

- Przy pomocy przycisków wybrać menu Konfiguracja i nacisnąć .
- Wybrać hasło "7" przy użyciu przycisku i potwierdzić przyciskiem .
- Przy pomocy przycisku wybrać podmenu [13] i potwierdzić przyciskiem .
- Ustawić żadaną głośność [OFF, 1..5] przy pomocy przycisków i , a następnie potwierdzić przyciskiem .

8.3.5 Ustawianie typu pelletu

Można ustawić rodzaj używanego pelletu.

- Przy pomocy przycisków wybrać menu Konfiguracja i nacisnąć .
- Wybrać hasło "7" przy użyciu przycisku i potwierdzić przyciskiem .
- Przy pomocy przycisku wybrać podmenu [14] i potwierdzić przyciskiem .
- Przy pomocy przycisków i ustawić jeden z poniższych parametrów:
 - „1” • Standardowy
 - „2” • Pellet średni
 - „3” • Pellet grubo
- Nacisnąć przycisk , aby potwierdzić ustawienie.

9 UŻYTKOWANIE PIECA

9.1 ROZPALANIE

Aby rozpałić piec, nacisnąć przycisk przez kilka sekund. Ikona płomienia zaczyna migać podczas fazy włączania, a następnie będzie świecić stałym światłem, wskazując, że piec jest rozpalony.



Rozpalanie automatyczne: piec jest wyposażony w urządzenie automatyczne, które pozwala na zapalenie pelletu bez konieczności stosowania tradycyjnych podpałek.

Nie należy rozpałać pieca ręcznie, jeśli automatyczne urządzenie zapłonowe jest uszkodzone.

Przy pierwszym zapaleniu pieca mogą wydzielać się nieprzyjemne zapachy będące wynikiem parowania lub suszenia niektórych materiałów konstrukcyjnych. Zapachy te znikną z czasem.

Zaleca się dobrze wietrzyć pomieszczenia podczas pierwszych rozpalań.

Nie zostawiać otwartych drzwiczek paleniska, aby uniknąć sytuacji, w której czujnik zamknięcia wykryje otwarte drzwiczki i uruchomi alarm dźwiękowy.

9.2 MODYFIKACJA PARAMETRÓW

Istnieje możliwość zmiany parametrów pracy pieca, jak opisano w rozdziale 7.3.



Ustawienia pozostają niezmiennione do momentu ich zmiany, nawet po wygaszeniu lub odłączeniu pieca od zasilania.

9.3 WYGASZENIE

Aby wygaszić piec, nacisnąć przycisk przez kilka sekund; ikona płomienia zgaśnie.



Aby ponownie rozpałić piec, zaleca się poczekać, aż całkowicie ostygnie.



Zaleca się wygaszanie pieca zgodnie z powyższymi wskazówkami i nigdy nie należy go wyłączać poprzez odłączenie zasilania elektrycznego.

9.4 PRACA Z TERMOSTATEM POKOJOWYM

Jeśli piec jest sterowany za pomocą zewnętrznego termostatu (lub chronotermostatu), instalator musi zaprogramować konfigurację 2. W tej konfiguracji piec wyłącza się, gdy zadziała termostat zewnętrzny (obwód otwarty).

Piec automatycznie rozpałi się ponownie, gdy temperatura spadnie poniżej wartości ustawionej na termostacie zewnętrznym (obwód zamknięty).



Przy pierwszym rozpaleniu lub po wygaszeniu pieca za pomocą panelu sterowania (przycisk) musi on zostać ponownie rozpalony za pomocą klawiatury sterującej.

Piec wyłączy się również, jeśli temperatura będzie nadal rosła pomimo modulacji. W tym przypadku piec uruchomi się tylko wtedy, gdy różnica pomiędzy wybraną a rzeczywistą wartością temperatury będzie większa niż 20°C.

9.5 PRACA Z CZUJNIKIEM TEMPERATURY ZAINSTALOWANYM NA PIECU

Piec może być rozpalany/wygaszany ręcznie lub w sposób zaprogramowany.

Piec moduluje swoją moc w zależności od temperatury otoczenia odczytanej przez czujnik znajdujący się na piecu (piec utrzymuje ustawioną temperaturę przy minimalnym zużyciu).

Jeśli funkcja „Tryb Eko” została włączona, zamiast modulować swoją moc piec wyłączy się po osiągnięciu ustawionej temperatury, a rozpali się ponownie po spadku temperatury w pomieszczeniu poniżej ustawionej delty (patrz rozdz. 10.3).

Żądaną temperaturę pokojową można ustawić w menu temperatury .

9.6 WARUNKI DOTYCZĄCE CIĄGU

Praca w trybie ciągłym przy minimalnej mocy, szczególnie w okresach odwilży (niekorzystny ciąg) sprzyja osadzeniu się sadzy i smoły:

- zmieniać kolejno okresy o minimalnej mocy z okresami działania o maksymalnej mocy.

10 DOSTĘPNE FUNKCJE

10.1 FUNKCJA „TIMER”

Funkcja ta pozwala na zaprogramowanie i przypisanie spersonalizowanych programów do różnych dni tygodnia w celu automatycznego rozpalania i/lub wygaszania pieca.

Można ustawić do sześciu spersonalizowanych programów.

W każdym programie można ustawić godzinę rozpalania i wygaszania, jak również żądaną temperaturę.

Możliwe jest przypisanie do 3 programów na każdy dzień tygodnia.

Dni tygodnia są oznaczone numerami od 1 do 7: poniedziałek = „d1”, wtorek = „d2” itd., niedziela = „d7”.

10.1.1 Ustawianie programów

- Przy pomocy przycisków wybrać menu Konfiguracja i nacisnąć .
- Wybrać hasło "7" przy użyciu przycisku i potwierdzić przyciskiem .
- Wybrać podmenu [2] i potwierdzić przyciskiem .
- Przy pomocy przycisków przewinąć programy P I-PE. Przyciskiem wybrać program, który chce się zmodyfikować.
- Parametr godziny rozpalenia zacznie migać. Zmienić parametr za pomocą przycisków , a następnie nacisnąć przycisk .
- Parametr minut zacznie migać. Zmienić parametr za pomocą przycisków , a następnie nacisnąć przycisk .
- Parametr godziny wygaszenia zacznie migać. Zmienić parametr za pomocą przycisków , a następnie nacisnąć przycisk .
- Parametr minut zacznie migać. Zmienić parametr za pomocą przycisków , a następnie nacisnąć przycisk .
- Parametr żądanej temperatury zacznie migać. Zmienić parametr za pomocą przycisków , a następnie nacisnąć przycisk .
- Nacisnąć przycisk , aby potwierdzić ustawienie.

10.1.2 Przypisanie programów do dni tygodnia

Funkcja ta pozwala na przypisanie do 3 różnych programów do danego dnia.

- Przy pomocy przycisków wybrać menu Konfiguracja i nacisnąć .
- Wybrać hasło "7" przy użyciu przycisku i potwierdzić przyciskiem .
- Wybrać podmenu [1] i potwierdzić przyciskiem .
- Przyciskami wybrać dzień [D 1]-[D 7], do którego chce się przypisać programy.
- Program wybrać przyciskiem .
- Parametr pierwszego przypisywanego programu zaczyna migać: P I-PE lub "OFF", aby go wyłączyć.
- Zmienić parametr za pomocą przycisków , a następnie nacisnąć przycisk .
- Parametr drugiego programu do przypisania zaczyna migać: P I-PE lub „OFF”, aby go wyłączyć.
- Zmienić parametr za pomocą przycisków , a następnie nacisnąć przycisk .
- Parametr trzeciego programu do przypisania zaczyna migać: P I-PE lub „OFF”, aby go wyłączyć.
- Zmienić parametr za pomocą przycisków , a następnie nacisnąć przycisk , aby potwierdzić ustawienie.

10.1.3 Aktywacja/dezaktywacja timera

- Przy pomocy przycisków ze strzałkami wybrać menu Timer .
- Potwierdzić przyciskiem .
- Przy użyciu przycisków do przewijania i wyboru: „ON”, aby aktywować timer, lub „OFF”, aby go dezaktywować.
- Nacisnąć przycisk w celu potwierdzenia wyboru.

Gdy zegar sterujący jest uruchomiony, ikona jest wyświetlana jako stała.

10.2 FUNKCJA EKONOMICZNA „ECO MODE”

Funkcja ta wyłącza piec po osiągnięciu zaprogramowanej temperatury otoczenia. Jeśli funkcja ta nie jest aktywna, piec będzie modulował swoje działanie w celu utrzymania ustawionej temperatury przy minimalnym zużyciu. Funkcja „Eco Mode” jest dostępna tylko w konfiguracji 1.

Aby aktywować/dezaktywować tę funkcję:

- Przy pomocy przycisków wybrać menu Konfiguracja i nacisnąć .
- Wybrać hasło "7" przy użyciu przycisku i potwierdzić przyciskiem .
- Wybrać podmenu [7] i potwierdzić przyciskiem .
- Przy pomocy przycisków ustawić jeden z poniższych parametrów:

| | |
|-----|------------------------------------|
| ECO | → Zatwierdzenie funkcji „Eco Mode” |
| OFF | → Dezaktywacja funkcji „Tryb Eco” |
- Nacisnąć przycisk , aby potwierdzić ustawienie.

10.3 FUNKCJA „DELTA PONOWNE ROZPALENIE”

Delta ponownego rozpalania to liczba stopni poniżej temperatury wygaszania, powyżej której piec automatycznie rozpali się ponownie. Na przykład, jeśli piec jest zaprogramowany, aby wygasić się przy 20°C (włączony tryb Eco), a „Delta ponowne rozpalanie” jest ustawiona na 4°C, piec ponownie rozpali się po wykryciu temperatury 16°C lub niższej.

Aby zmienić żadaną wartość Delta ponowne rozpalanie:

- Przy pomocy przycisków wybrać menu Konfiguracja i nacisnąć .
- Wybrać hasło "7" przy użyciu przycisku i potwierdzić przyciskiem .
- Wybrać podmenu [8] i potwierdzić przyciskiem .
- Parametr zaczyna migać, zmienić go za pomocą przycisków i (0,5°C ... 5,0°C).
- Nacisnąć przycisk , aby potwierdzić.

10.4 FUNKCJA „AUTONOMIA”

Funkcja ta wyświetla pozostałe godziny pracy autonomicznej, zanim konieczne będzie uzupełnienie pelletu. Przy pomocy przycisków ze strzałkami wybrać ikonę , na ekranie wyświetli się szacowana liczba godzin pracy autonomicznej, zanim konieczne będzie uzupełnienie pelletu. Autonomia jest obliczana na podstawie parametrów ustawionych w tym momencie na piecu.

Wartości szacunkowe są wystarczająco wiarygodne pod warunkiem, że przy każdym kompletnym napełnieniu pelletu zostanie wybrana i potwierdzona wartość „FULL”. Wartość „Lo” oznacza stan rezerwy.

10.5 FUNKCJA „UZUPEŁNIANIE”

Funkcja ta pozwala zarejestrować napełnienie zbiornika pelletem.

W ten sposób, na podstawie parametrów pracy, piec jest w stanie obliczyć godziny autonomii przed koniecznością ponownego napełnienia zbiornika.

Po całkowitym napełnieniu zbiornika na pellet:

- Przy pomocy przycisków ze strzałkami wybrać ikonę paliwa , a następnie nacisnąć przycisk wystania .
- Przy pomocy przycisków wybrać opcję "FULL" i nacisnąć przycisk wystania .

Aby wyłączyć tę funkcję wybrać "OFF" zamiast "FULL".

10.6 PONOWNE ROZPALENIE PO AWARII ZASILANIA

Po przerwie w dostawie prądu piec automatycznie rozpali się ponownie i przeprowadzi autodiagnostykę po przywróceniu zasilania.

10.7 FUNKCJA „BLOKADA KLAWIATURY”

Funkcja ta pozwala zablokować klawiaturę, aby zapobiec niezamierzonym zmianom.

Aby aktywować/dezaktywować tę funkcję:

- Przy pomocy przycisków wybrać menu Konfiguracja i nacisnąć .
- Wybrać hasło "7" przy użyciu przycisku i potwierdzić przyciskiem .
- Wybrać podmenu [10] i potwierdzić przyciskiem .
- Przy pomocy przycisków ustawić jeden z poniższych parametrów:

| | |
|-------|--|
| „OFF” | Zatwierdzenie funkcji „Eco Mode” |
| „LO” | Tylko przycisk rozpalania/wygaszania jest aktywny |
| „HI” | Blokada klawiatury włączona |
- Nacisnąć przycisk , aby potwierdzić ustawienie.

10.8 MINIMALNA TEMPERATURA





(Tylko w konfiguracji 1)

Istnieje możliwość zaprogramowania minimalnej temperatury, poniżej której piec będzie się rozpałał (poza zaprogramowanymi przedziałami czasowymi). Aby zmienić parametr temperatura „minimalna”:

- Przy pomocy przycisków wybrać menu Konfiguracja i nacisnąć .
- Wybrać hasło "7" przy użyciu przycisku i potwierdzić przyciskiem .
- Wybrać podmenu [9] i potwierdzić przyciskiem .
- Parametr zaczyna migać, zmienić go za pomocą przycisków (OFF; 3-20°C).
- Nacisnąć przycisk , aby potwierdzić ustawienie.


11 ZARZĄDZANIE ALARMAMI

Awaria jest sygnalizowana za pomocą następującej procedury:

- 1) ostrzeżenie dźwiękowe (bip),
- 2) zaświecenie się jednej z poniższych ikon:    ,
- 3) w przypadku alarmu piec zgaśnie,
- 4) przytrzymanie przycisku „anuluj”  wyświetla kod alarmu:

| KOD ALARMU / KOMUNIKAT | OPIS | MOŻLIWE PRZYCZYNY | LED |
|------------------------|---|--|---|
| E001 | Klawiatura sterująca uszkodzona | Uszkodzenie klawiatury sterującej |  |
| E002 | Sygnał zdalnego sterowania nie odebrany | Uszkodzenie klawiatury sterującej |  |
| E004 | Połączenie przerwane | Odcięcie lub odłączenie kabla łączącego kartę z klawiaturą sterującą. Zignorować ten alarm, jeśli jest on wyświetlany podczas zmiany konfiguracji. |  |
| E101 | Nieudane rozpalenie | Brak pelletu Jakość pelletu Usterka układu zapłonowego Brudny ruszt |  |
| E105 | Alarm czujnika pelletu | Czujnik pelletu uszkodzony lub odłączony |  |
| E108* | Alarm bezpieczeństwa | Czujnik(i) podłączone do IO1 (patrz schemat elektryczny) Problemy z przegrzaniem zasobnika pelletu Czujnik podłączony otwarty |  |
| E109 | Alarm ciśnieniowy lub zadziałanie wyłącznika automatycznego | Czujnik(i) podłączone do IO2 (patrz schemat elektryczny) System odprowadzania brudnego dymu Zużyte uszczelki Niewystarczająca ilość powietrza do spalania |  |
| E110 | Usterka czujnika temperatury | Uszkodzony czujnik powietrza |  |
| E111 | Usterka czujnika dymu | Uszkodzony czujnik temperatury dymu |  |
| A001 | Niewystarczający poziom pelletu (migająca ikona) | Pellet na wyczerpaniu |  |
| A002 | Ostrzeżenie o planowanej konserwacji (migające ikony) | Piec wymaga regularnej konserwacji, która musi być wykonywana przez wyspecjalizowany personel. |   |
| A004 | Niski poziom baterii | Bateria buforowa (mod. CR2032) na płytce elektronicznej jest rozładowana |  |
| A005 | Wadliwe działanie czujnika Halla | Czujnik Halla wentylatora spalin jest odłączony lub uszkodzony. |  |
| A007 | Usterka czujnika ciśnienia (migająca ikona) | Usterka czujnika ciśnienia lub karty |  |
| ---- | Czyszczenie pieca | Brudna komora spalania, ruszt lub układ odprowadzania dymu. Zanieczyszczenie lub odłączenie się przewodów odczytu ciśnienia. Zanieczyszczenie wlotu powietrza do spalania. |  |
| ---- | Nieudane rozpalenie | Brak pelletu; uszkodzona zapalarka; zużyte uszczelki; niewłaściwe ustawienie rusztu |  |

* Tylko w przypadku modeli wyposażonych w mikrowyłączniki bezpieczeństwa w drzwiczkach lub na pokrywie zbiornika.

Po sprawdzeniu komunikatu alarm można skasować, naciskając przez kilka sekund  przycisk rozpalania/wygaszania.



rys. 11.1

W przypadku wyświetlenia kodu „E109” ponownie włączyć ręcznie termostat umieszczony z tyłu pieca, a następnie usunąć alarm (rys. 11.1) (czynność należy wykonać zgodnie ze wskazówkami autoryzowanego sprzedawcy). Można ponownie rozpaść piec.

12 KONSERWACJA

12.1 ŚRODKI BEZPIECZEŃSTWA

Przed wykonaniem jakichkolwiek prac konserwacyjnych należy wykonać następujące czynności:

- Sprawdzić, czy wszystkie części pieca są zimne.
- Sprawdzić, czy popioły są całkowicie wygaszone.
- Nosić środki ochrony osobistej przewidziane w dyrektywie 89/391/EWG.
- Sprawdzić, czy główny wyłącznik jest wyłączony.
- Sprawdzić, czy zasilanie nie może zostać przypadkowo przywrócone, wyjąć wtyczkę z gniazdka elektrycznego.
- Używać zawsze narzędzi odpowiednich do prac konserwacyjnych.
- Po zakończeniu czynności konserwacyjnych, a przed ponownym uruchomieniem pieca należy ponownie zamontować wszystkie osłony i ponownie włączyć wszystkie urządzenia zabezpieczające.



Użycie odpowiedniego odkurzacza (model przemysłowy) może ułatwić sprzątanie popiołu.

12.2 KONSERWACJA ZWYKŁA WYKONYWANA PRZEZ UŻYTKOWNIKA

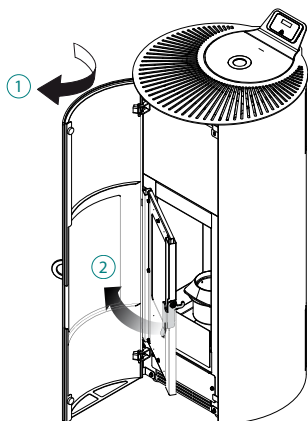
12.2.1 Wewnętrzne czyszczenie paleniska

Piec wymaga prostego, ale częstego czyszczenia, aby zapewnić jego wydajne działanie i regularną pracę.



Czyszczenie to musi być wykonywane przy wyłączonym piecu i na zimno.

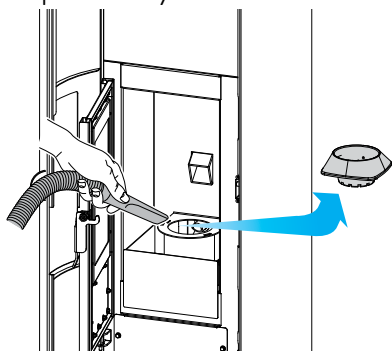
Otworzyć drzwiczki paleniska za pomocą uchwytu (rys. 12.1). Usunąć popiół, który osadza się w palenisku.



rys. 12.1

Celem tego czyszczenia jest zapewnienie cyrkulacji powietrza do spalania przez otwory RUSZTU.

Podnieść, wyjąć ruszt i wyczyścić powierzchnie oraz wnętrze paleniska (rys. 12.2).



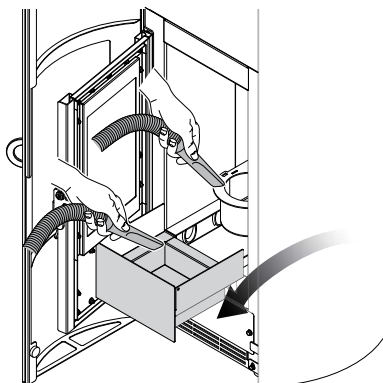
rys. 12.2

Włożyć ponownie ruszt, upewniając się, że idealnie przylega do swojego miejsca.

12.2.2 Czyszczenie szuflady na popiół

Szuflada na popiół powinna być czyszczona co tydzień lub częściej, jeśli to konieczne.

Aby uzyskać dostęp do popielnika, otworzyć drzwiczki szuflady i wyjąć szufladę (rys.12.3).



rys. 12.3

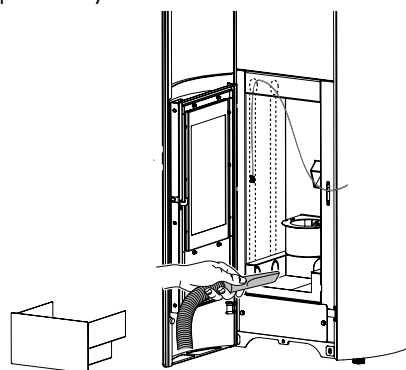
Opróżnić szufladę do metalowego pojemnika przystosowanego do zbierania popiołu i odessać popiół z miejsca na szufladę.

Ponownie włożyć szufladę. Zamknąć drzwiczki.

12.2.3 Czyszczenie obudowy kolektora dymu

Komorza dymowa powinna być czyszczona co 3 miesiące lub w razie potrzeby.

Za pomocą szczotki elastycznej oczyścić 4 rury wymiennika znajdujące się w komorze spalania (oznaczone kropkami) (rys. 12.4).



rys. 12.4

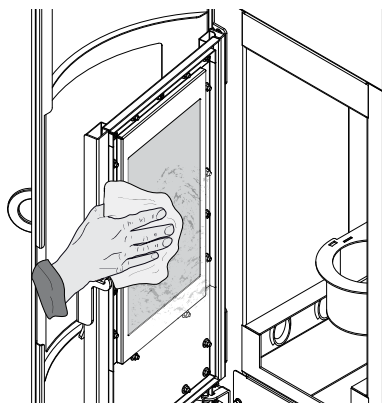
Wszelkie pozostałości, które wpadną do kolektora dymu, należy usunąć odkurzaczem do popiołu.

12.2.4 Czyszczenie szklanych drzwiczek

Piec jest wyposażony w wyjątkowy system samoczyszczenia szklanych drzwiczek, który zmniejsza częstotliwość konserwacji.

Niemniej jednak, w miarę upływu czasu i w zależności od warunków pracy i rodzaju stosowanych granulatów, drzwiczki szklane muszą być czyszczone ręcznie.

Czynność tę wykonuje się wilgotną ściereczką lub papierem zwilżonym i zanurzonym w popiele (rys. 12.5).



rys. 12.5

Wycierać szybę dopóki szkło nie będzie czyste. Nie czyścić szklanych drzwiczek podczas pracy pieca i nie używać gąbek ściernych. Nie zwilżać uszczelki drzwi, ponieważ przyspieszy to jej zużycie.

12.2.5 Czyszczenie przewodów kominowych

Przewód kominowy powinien być czyszczony co najmniej dwa razy w roku – na początku i w połowie sezonu zimowego – oraz w razie potrzeby. W przypadku występowania poziomych odcinków przewodu należy sprawdzić i usunąć osady popiołu i sadzy, zanim zatkną one przewód kominowy.

Niedostateczne czyszczenie lub zaniedbanie czyszczenia powoduje problemy w działaniu pieca, takie jak:

- nieprawidłowe spalanie,
- czernienie szyby,
- zanieczyszczenie rusztu popiołem i osadami z pelletu,
- odkładanie się popiołu i osadów na wymienniku, co prowadzi do słabej wydajności.

12.2.6 Czyszczenie obudowy

Obudowę pieca czyścić suchą, nieścierną ściereczką.



Nie używać detergentów i nie przeprowadzać czyszczenia, gdy piec jest gorący.

12.2.7 Czyszczenie kratki wentylatora

Do podstawy pieca przymocowana jest kratka, która chroni wentylator. Czyścić kratkę przynajmniej raz w roku.


12.2.8 Podłączenie elektryczne


Jeśli przewód zasilający jest uszkodzony, musi zostać wymieniony przez wykwalifikowanego technika, aby uniknąć ryzyka porażenia prądem.

12.3 KONSERWACJA NADZWYCZAJNA

Piec na pellet jest generatorem ciepła opalany paliwem stałym i jako taki wymaga nadzwyczajnej corocznej konserwacji, która powinna być przeprowadzana przez autoryzowanego serwisanta JÖTUL raz w roku, najlepiej na początku sezonu grzewczego.

Celem tej konserwacji jest sprawdzenie prawidłowego działania wszystkich części.

Jeśli ikony  pojawiają się jednocześnie na klawiaturze sterującej, należy natychmiast skontaktować się z autoryzowanym serwisantem w celu przeprowadzenia nadzwyczajnej konserwacji pieca.

Ostrzeżenie to może być chwilowo skasowane przez naciśnięcie przycisku , a następnie piec może zostać bezproblemowo ponownie rozpalony. Ostrzeżenie to będzie wyświetlane do momentu przeprowadzenia przez autoryzowanego serwisanta nadzwyczajnej konserwacji i skasowania godzin pracy.

PLAN KONTROLI I/LUB KONSERWACJI

| | PRZY KAŻDYM ROZPALENIU lub częściej, jeśli to konieczne | CO TYDZIEŃ lub częściej, jeśli to konieczne | CO 3 MIESIĄCE lub częściej, jeśli to konieczne | CO ROKU lub częściej, jeśli to konieczne |
|-------------------------------|--|--|---|---|
| Ruszt | X | | | |
| Ośłona zapalarki | | X | | |
| Palenisko i popielnik | | X | | |
| Szyba | | X | | |
| Wymienniki i kolektory dymu | | | X | |
| Uszczelka drzwiczek i rusztu* | | | | X |
| Filtry* | | | | X |
| Przewód odprowadzania dymu* | | | X | |
| Wyciąg i wentylator | | | | X |

(*) do wykonania przez autoryzowanego instalatora.



Nadzwyczajna konserwacja musi być przeprowadzana co 2000 godzin pracy pieca.

13 UTYLIZACJA I ZŁOMOWANIE

Za utylizację i złomowanie pieca odpowiada wyłącznie właściciel, który musi działać zgodnie z obowiązującymi w jego kraju przepisami w zakresie bezpieczeństwa i ochrony środowiska.

Utylizację i złomowanie pieca można powierzyć osobom trzecim, pod warunkiem że są one podmiotami upoważnionymi do zbierania i przetwarzania takich odpadów.



UWAGA: Należy zawsze stosować się do przepisów obowiązujących w kraju, w którym odpady są przetwarzane oraz, w stosownych przypadkach, do deklaracji o złomowaniu.



UWAGA: Wszystkie czynności związane z utylizacją muszą być wykonywane przy wyłączonym piecu, który jest odłączony od sieci elektrycznej.

- Usunąć wszystkie elementy elektryczne.
- Posortować baterie dostarczone w kartach elektronicznych.
- Skorzystać z usług wyspecjalizowanych firm przy utylizacji konstrukcji pieca.

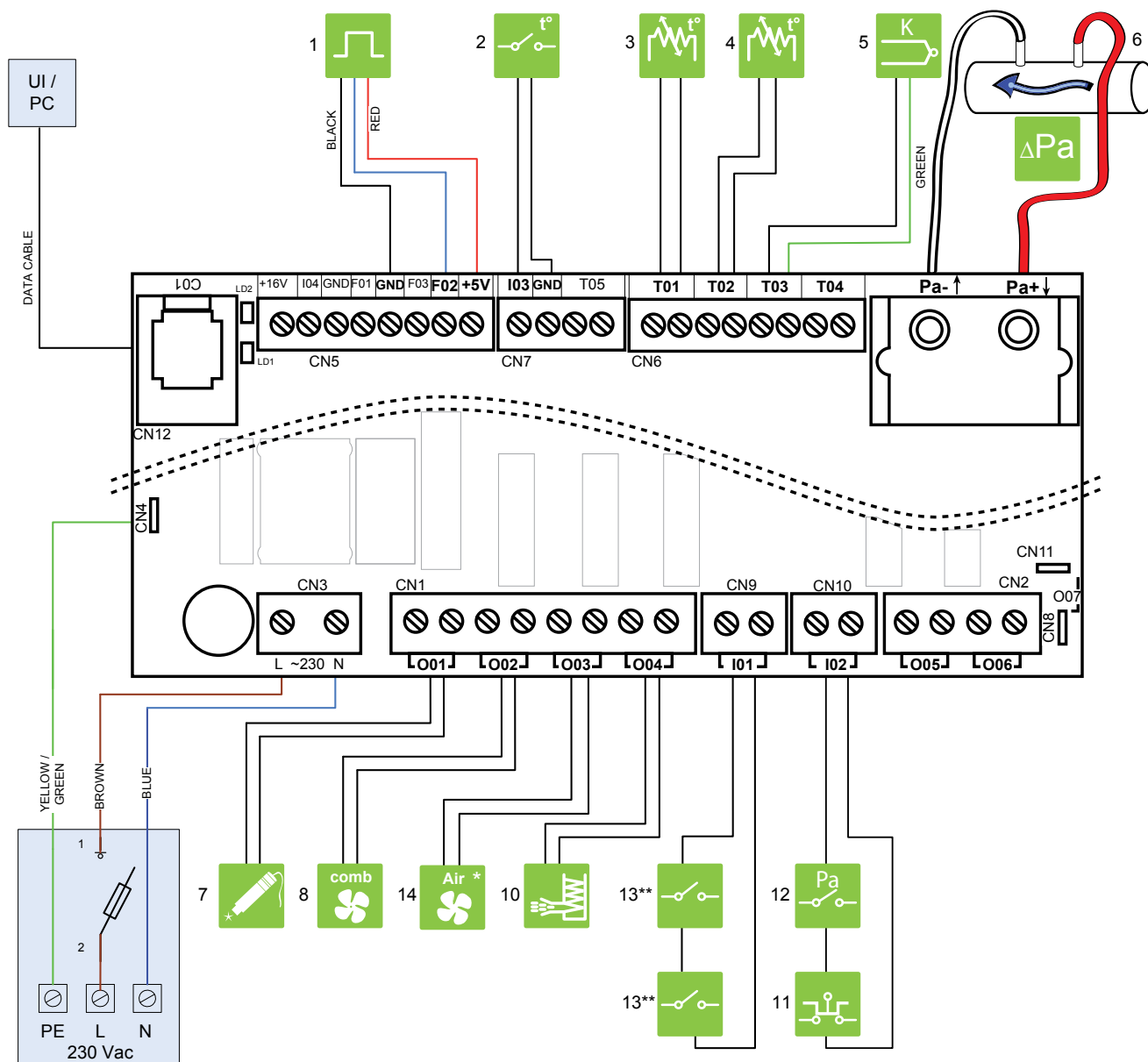


UWAGA: Zabronione jest wyrzucanie pieca w miejscach do tego nieprzeznaczonych, ponieważ stanowiłoby to poważne zagrożenie dla ludzi i zwierząt.

W przypadku szkód na osobach i zwierzętach odpowiedzialność zawsze spoczywa na właścicielu.

Podczas utylizacji zniszczyć oznakowanie CE, niniejszą instrukcję oraz inne dokumenty związane z tym piecem.

SCHEMAT PODŁĄCZENIA ELEKTRYCZNEGO JØTUL PF 721 V2



| | | | | | | | | |
|--|---|-------------------------------|--|----|-----------------------------|--|----|----------------------|
| | 1 | CZUJNIK HALLA | | 6 | RÓŻNICOWY CZUJNIK CIŚNIENIA | | 12 | PRESOSTAT |
| | 2 | TERMOSTAT POKOJOWY | | 7 | ZAPALARKA | | 13 | CZUJNIK DRZWI |
| | 3 | CZUJNIK TEMPERATURY OTOCZENIA | | 8 | WENTYLATOR WYCIĄGOWY | | 14 | WENTYLATOR POKOJOWY* |
| | 4 | CZUJNIK PELLETU | | 10 | SYSTEM ZASILANIA | | | KLAWIATURA STERUJĄCA |
| | 5 | CZUJNIK DYMU | | 11 | TERMOSTAT BEZPIECZEŃSTWA | | | |

DANE TECHNICZNE

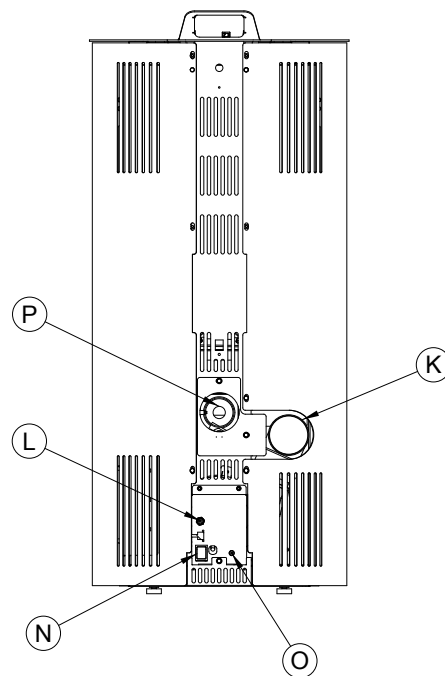
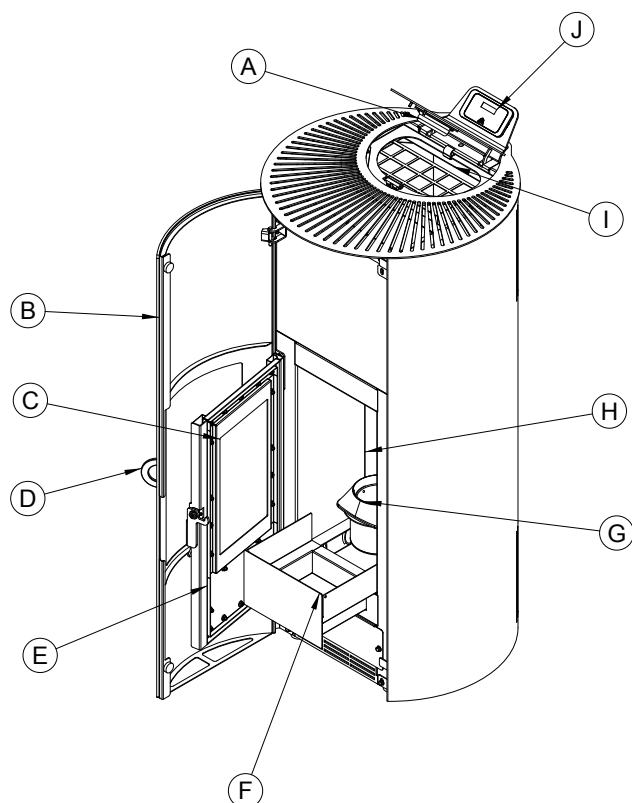
JØTUL PF 721 V2

(zgodnie z normą EN 14785)

| | Min | Maks |
|---|------------------------|-----------------------|
| *Całkowita moc cieplna | 2,9 kW | 7 kW |
| Sprawność | 92,3 % | 89 % |
| Temperatura dymu | 85,8 °C | 193,7 °C |
| Natężenie przepływu dymu | 3,47 g/s | 4,6 g/s |
| Zużycie godzinowe | 0,628 kg/h | 1,615 kg/h |
| Emisja CO (13% O ₂) | 151 mg/Nm ³ | 26 mg/Nm ³ |
| Średnica wyjścia dymowego | Ø 8 cm | |
| Średnica króćca dopływu powietrza | Ø 6 cm | |
| Waga | 100 kg | |
| Paliwo | Pellets | |
| Pojemność zbiornika zasilającego | 18 kg | |
| Zalecany ciąg kominowy | 12(±2) Pa | |
| Aby obliczyć wymiary przewodu kominowego, użyć: | 0.0 Pa | |
| Min. kubatura pomieszczenia, w którym zamontowany jest piec | 30 m ³ | |

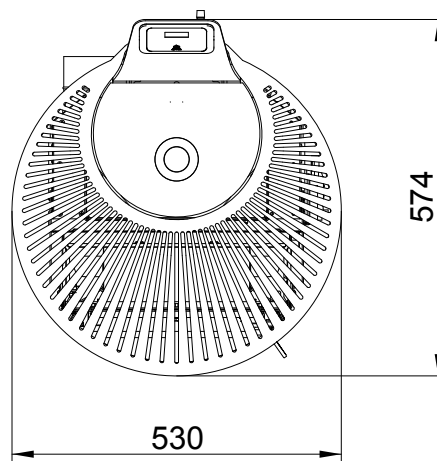
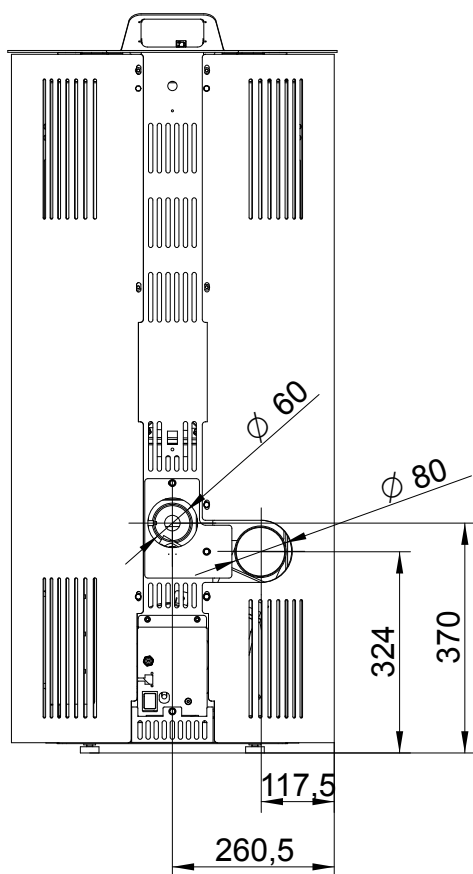
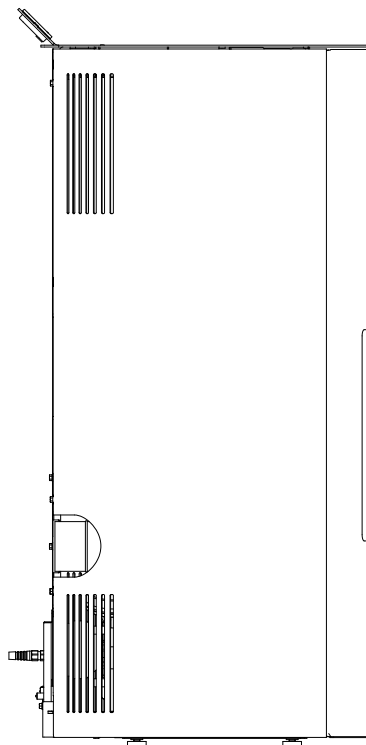
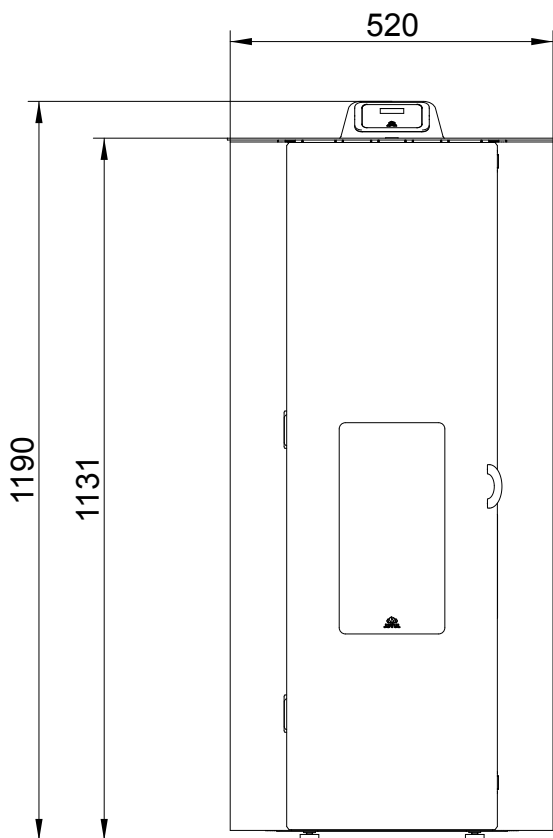
| NORMY ELEKTRYCZNE | |
|-------------------------------------|-------|
| Napięcie | 230 V |
| Częstotliwość | 50 Hz |
| Maksymalny pobór mocy podczas pracy | 110 W |
| Elektryczny zapłon | 380 W |

OPIS



| | |
|---|---|
| A | POKRYWA ZBIORNIKA |
| B | DRZWI OZDOBNE |
| C | SZYBA DRZWI PALENISKA |
| D | UCHWYT |
| E | DRZWI PALENISKA |
| F | SZUFLADA NA POPIÓŁ |
| G | RUSZT |
| H | PŁYTY WEWNĘTRZNE |
| I | ZBIORNIK NA PELLET |
| J | KLAWIATURA STERUJĄCA |
| K | PRZEWÓD ODPROWADZANIA DYMU |
| L | CZUJNIK TEMPERATURY OTOCZENIA |
| N | WYŁĄCZNIK GŁÓWNY |
| O | TERMOSTAT BEZPIECZEŃSTWA Z RĘCZNYM RESETEM |
| P | PRZEWÓD POWIETRZA DO SPALANIA |

WYMIARY JØTUL PF 721 V2



ETYKIETA CE

JØTUL PF 721 V2

JØTUL FRANCE SAS - 3, Chemin du Jubin – F-69574 Dardilly Cedex

EN 14785:2006

DOP Nr.004723327 – N. B. 2456



Type: JØTUL PF 721

Matr. N° LT000000000000000012345

| | | | |
|---|---------------------------|----------------|--------------------------|
| Fuel type Typ opału | F | Pellet | |
| Nominal heat input Znamionowa moc ciepła | Plmax | 7,86 | kW |
| Reduced heat input Ograniczona moc ciepła | Plmin | 2,4 | kW |
| Nominal heat output Moc znamionowa | Pmax | 7 | kW |
| Reduced heat output Ograniczona moc cieplna przekazywana do otoczenia | Pmin | 2,2 | kW |
| Efficiency at nominal heat output Sprawność przy mocy znamionowej | EFFmax | 89 | % |
| Efficiency at reduced heat output Sprawność przy mocy ograniczonej | EFFmin | 91,28 | % |
| CO Emissions at nominal heat output (13% O ₂) Emisja CO przy mocy nominalnej (13% O ₂) | COmax(13%O ₂) | 25,9 0,002 | mg/Nm ³ % |
| CO Emissions at partial heat output (13% O ₂) Emisja CO przy mocy ograniczonej (13% O ₂) | COmin(13%O ₂) | 353,7 0,028 | mg/Nm ³ %% |
| Flue gas temperature Temperatura spalin | Tf | 193,7 | °C |
| Minimum distance to combustible materials Odległość od ścian palnych | X1/X2/Y | 800/150/200 | mm |
| Voltage Napięcie | V | 230 | V |
| Frequency Częstotliwość | f | 50 | Hz |
| Maximum power absorbed when working Max moc pobierana podczas funkcjonowania | Wmin | 80 | W |
| Maximum power absorbed for ignition Max moc pobierana podczas włączania | Wmax | 380 | W |
| Dust Emisja pyłu | P | 9,4 | mg/Nm ³ |
| PIN: 7 | | | |

Read and follow the user's instructions
Przeczytaj i postępuj zgodnie z instrukcją obsługi
Use only recommended fuel
Stosować wyłącznie zalecany rodzaj paliwa

Cat.no. 10059765-P04
Décembre 2022

Jøtul continuously strives to improve its products. In relation to this, it reserves the right to change specifications, colours and accessories without prior notice.

Jøtul si impegna costantemente per migliorare i propri prodotti. Pertanto, si riserva il diritto di modificare specifiche, colori e dotazioni senza preavviso.

Firma Jøtul stale stara się ulepszać swoje produkty. W związku z tym zastrzega sobie prawo do zmiany specyfikacji, kolorów i wyposażenie bez wcześniejszego powiadomienia.



Jøtul France
3, chemin du Jubin
69574 DARDILLY
www.jotul.fr